

# TIGER 1 TANK

Along with the new gun came a number of associated changes to the fire control system.

## ARMY COLLECTION

### C51018



## POWER SYSTEM



DEMO Function

360° ROTARY  
ROTARY SYSTEM

INCLUDES:



Motor X2



Signal receiver X1



Battery Box X1

RC  
RADIO CONTROL  
2.4G

313pcs

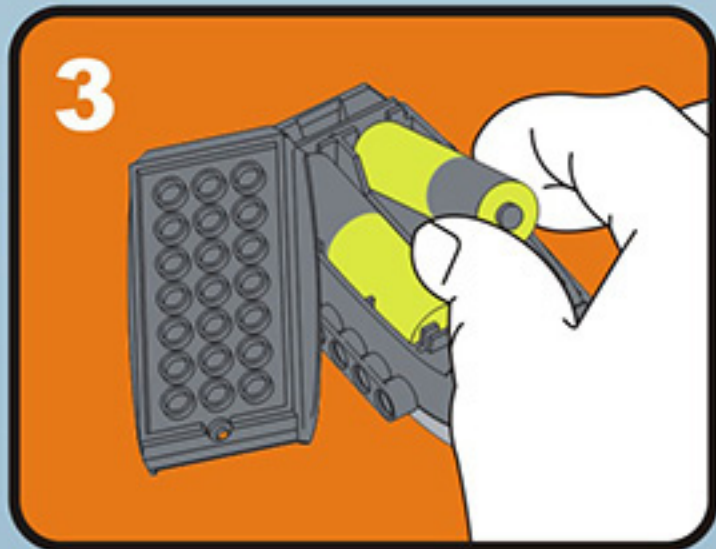
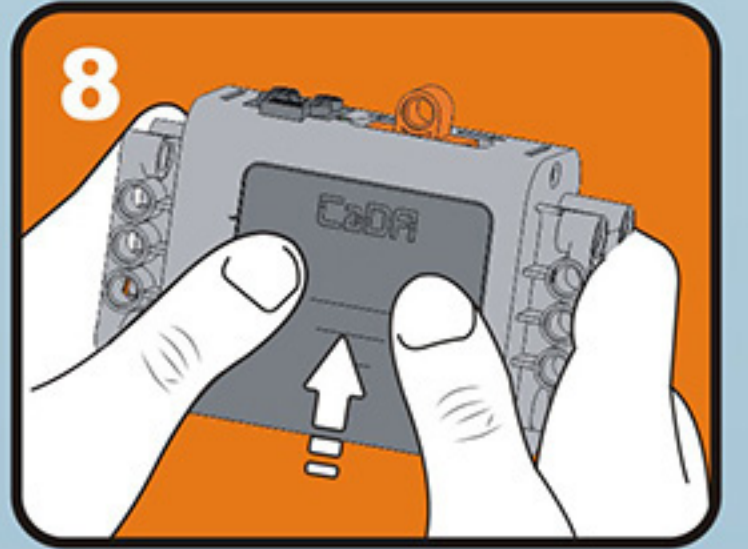
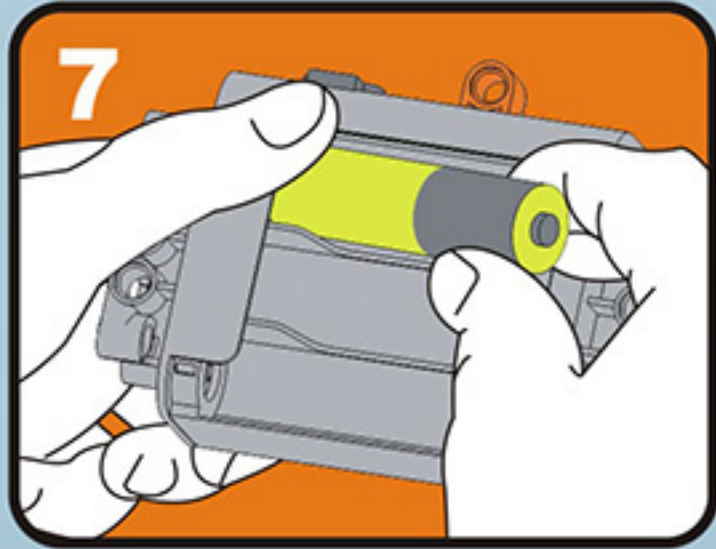
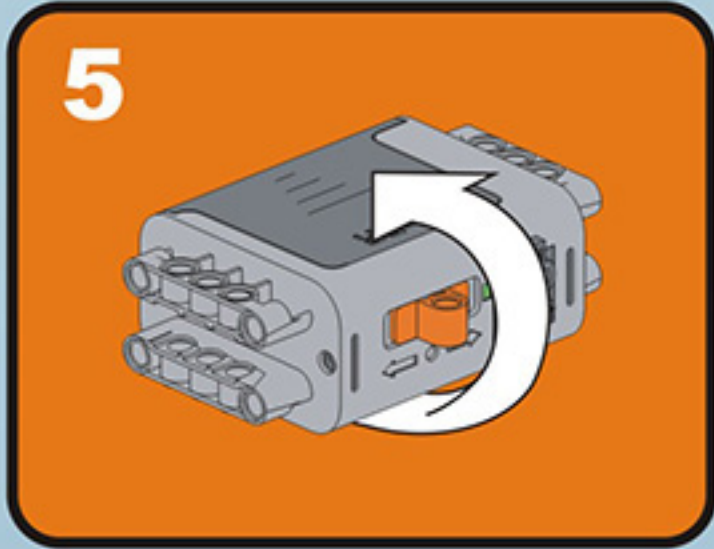
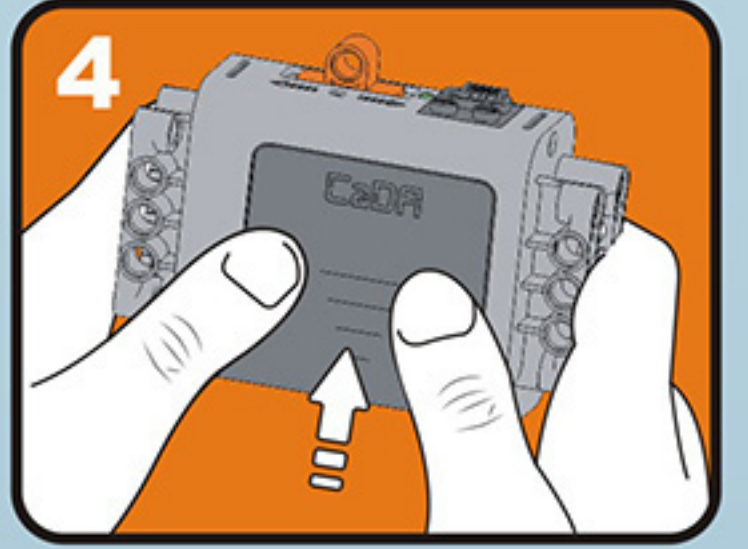
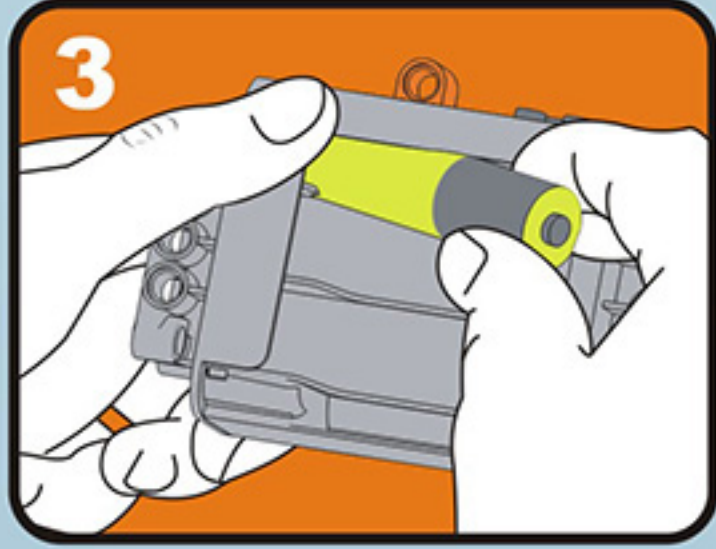
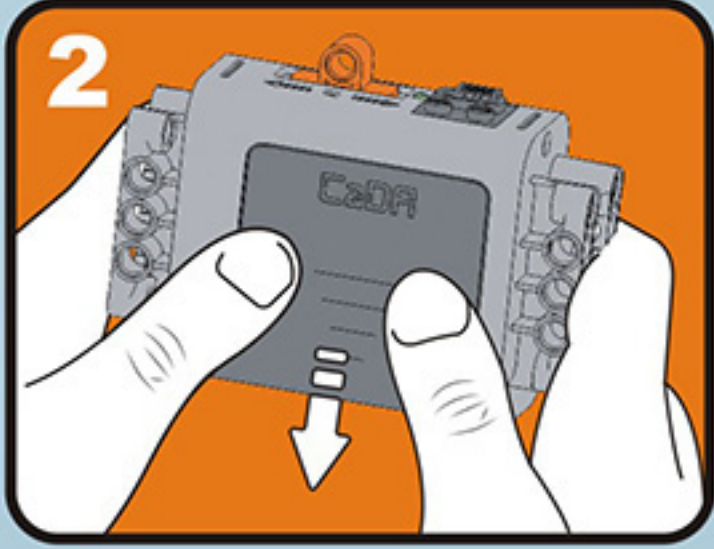
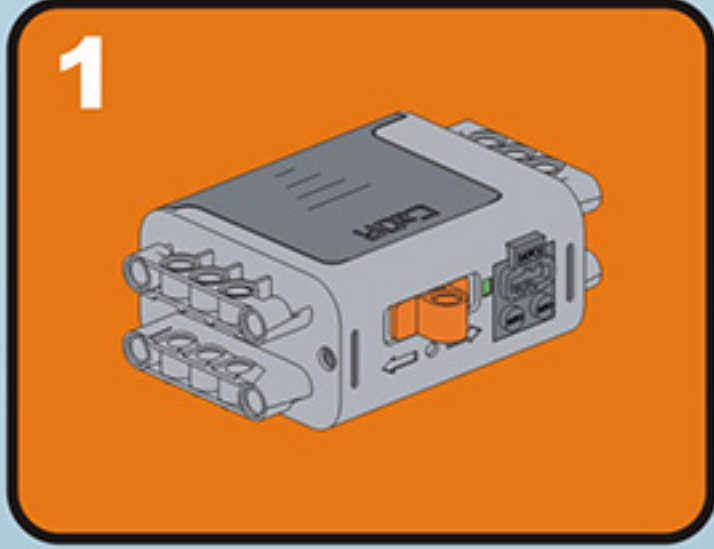
CaDA

Full Automatic remote control  
SCALE 1/35 Model in KIT  
Guidance systems in F.A.R.C

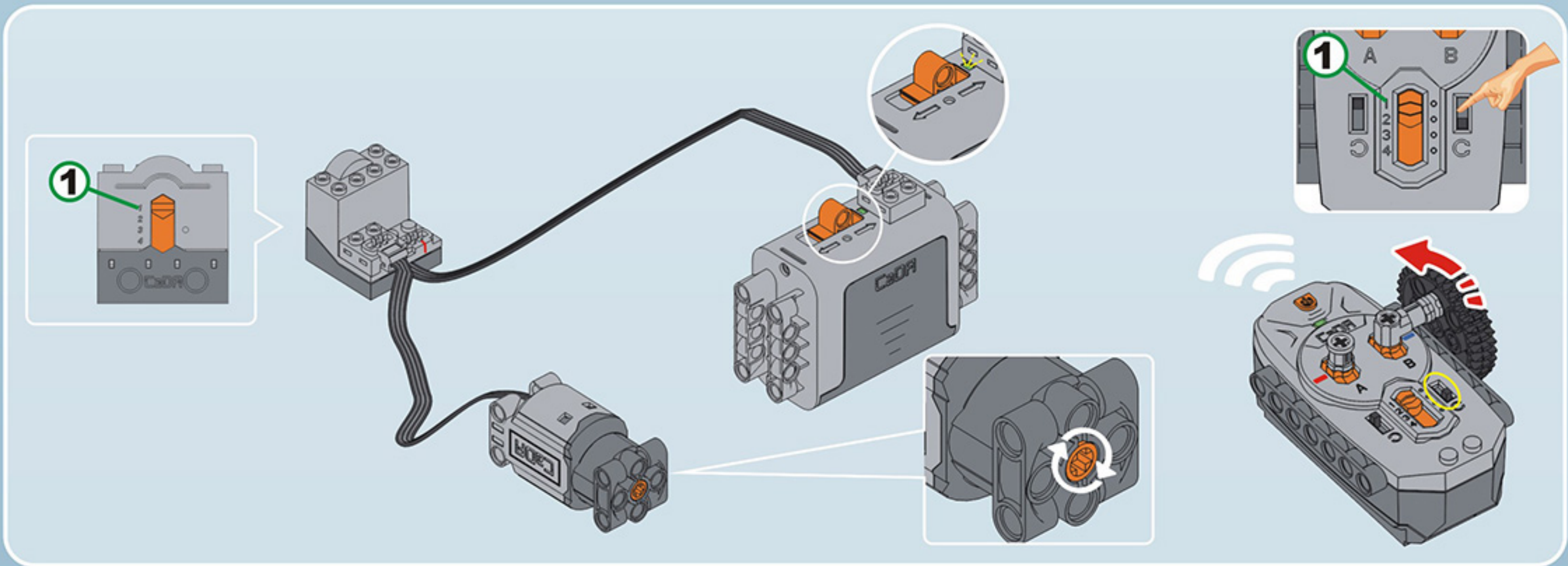
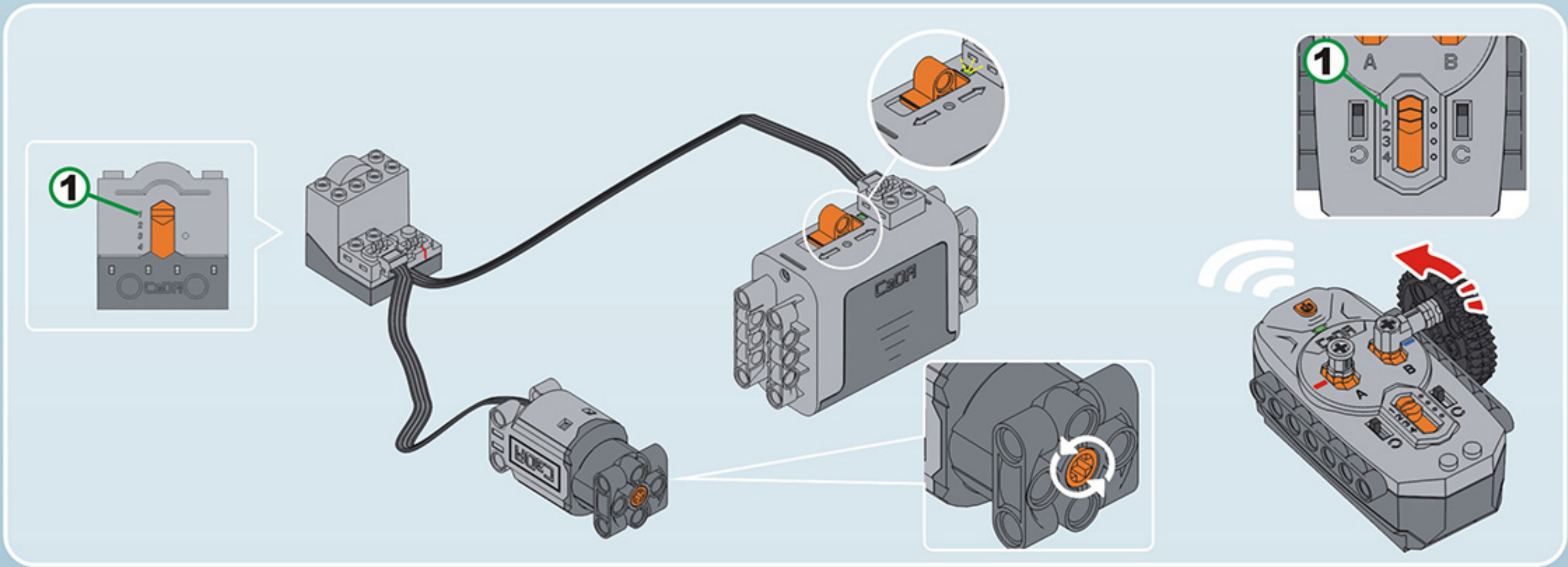
Product design pictures and products have actual access





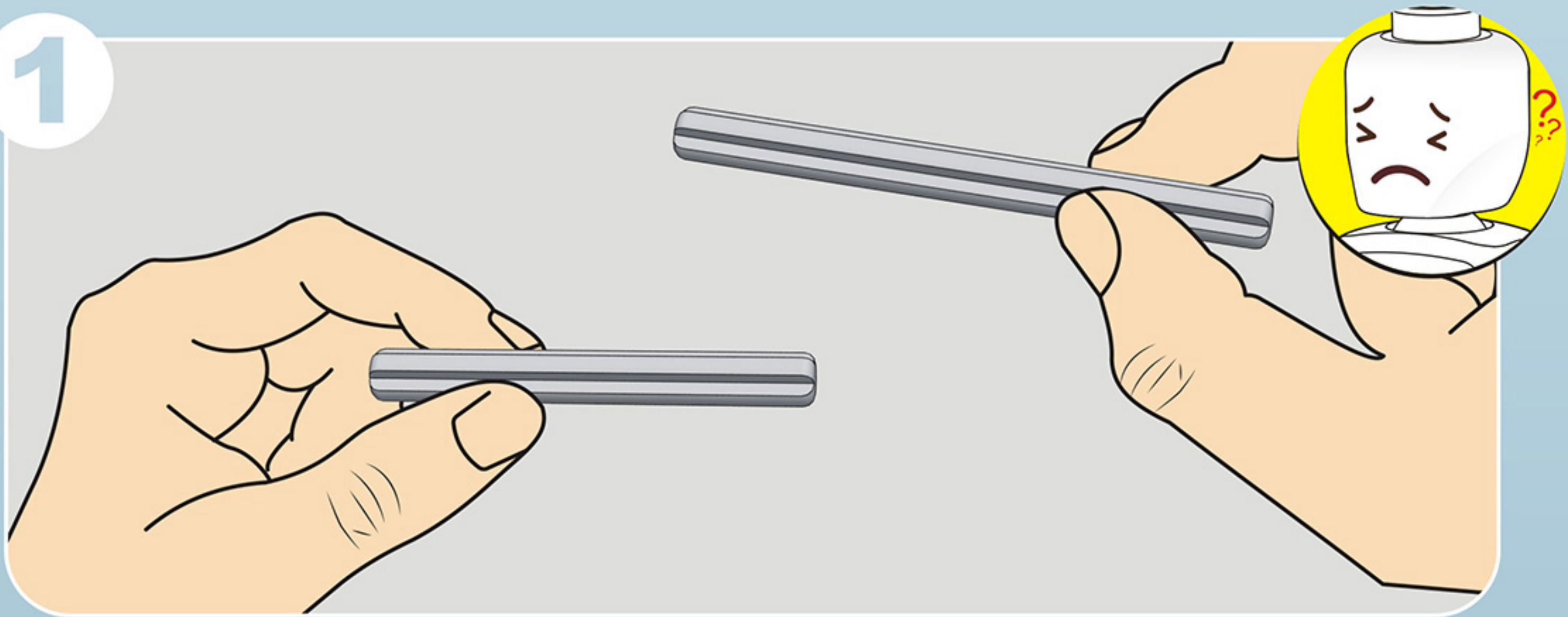




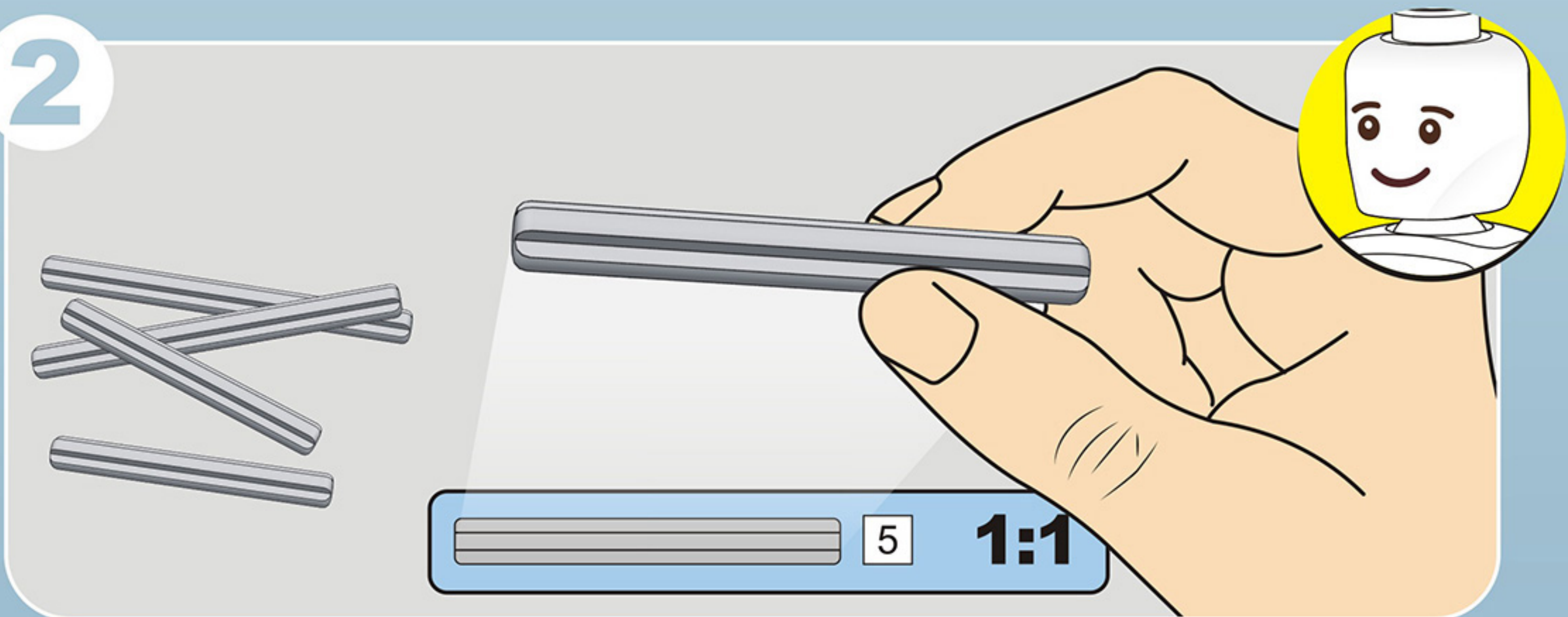




1

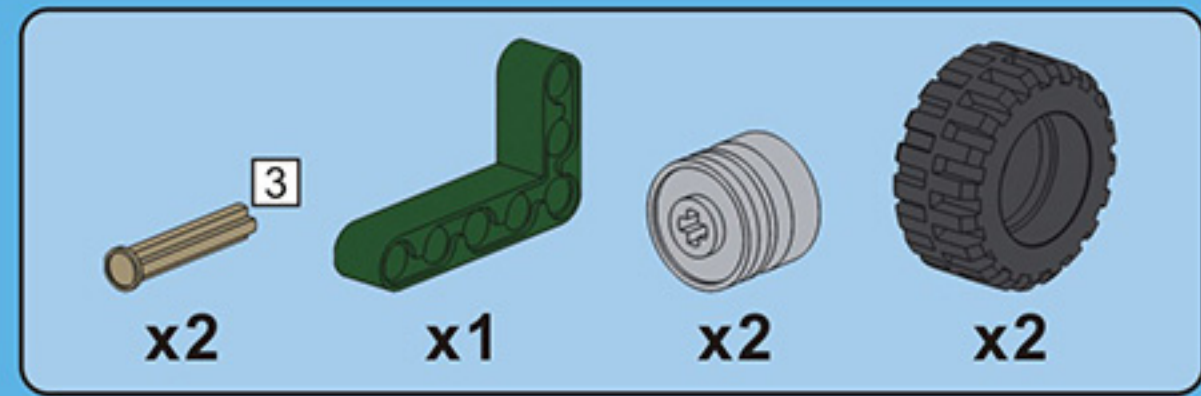
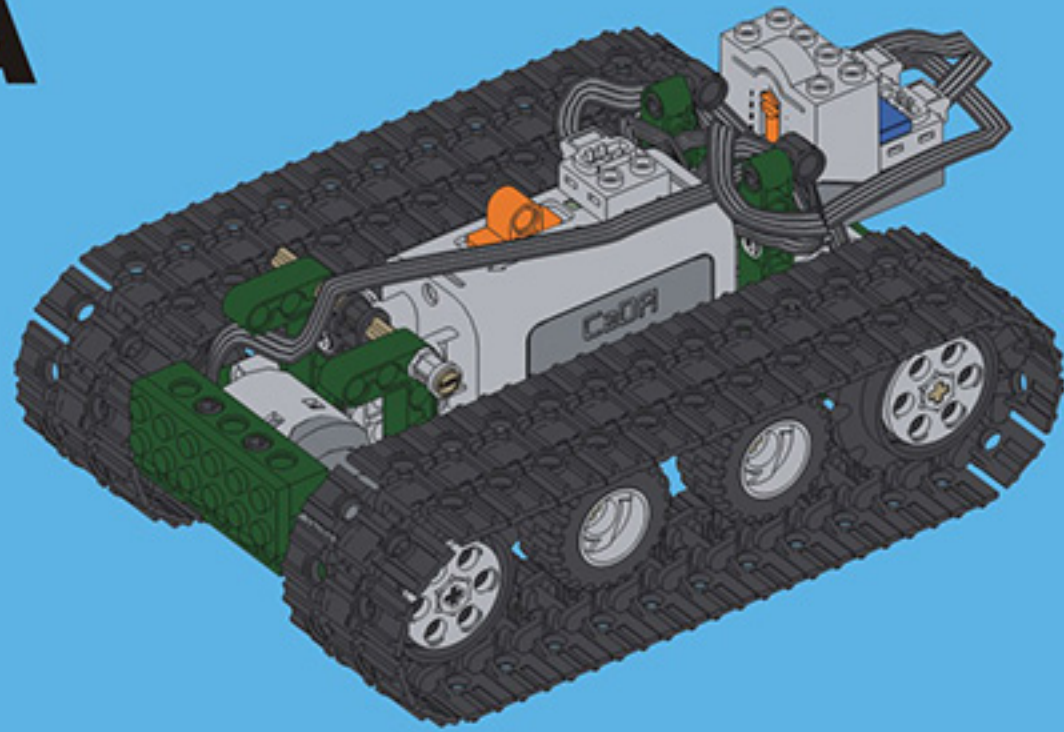


2

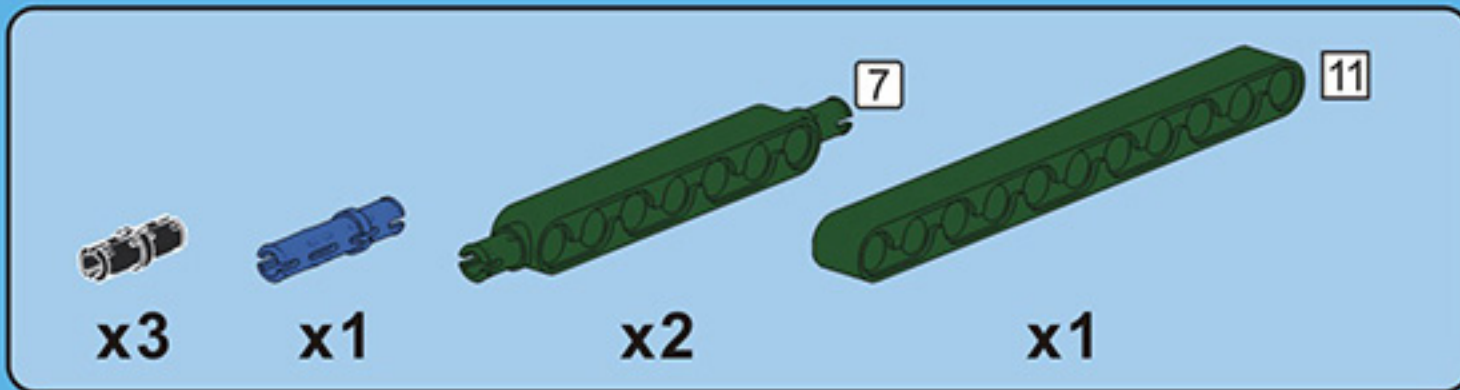
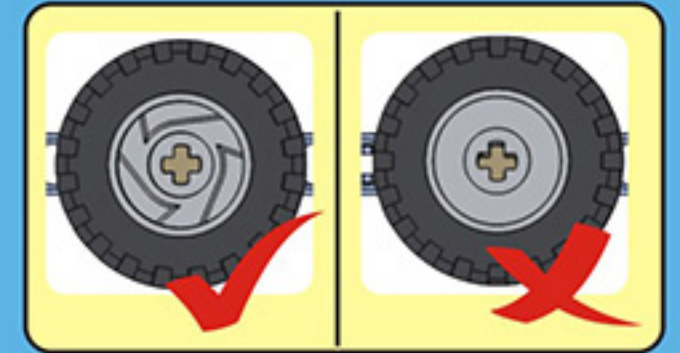




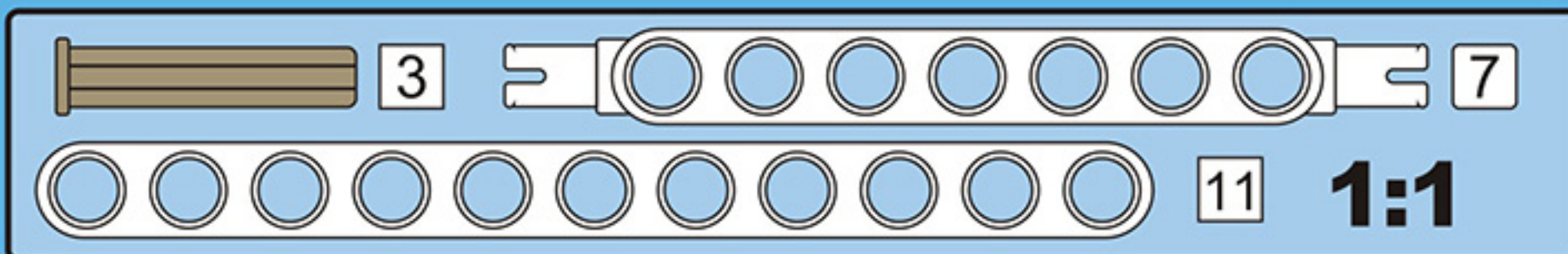
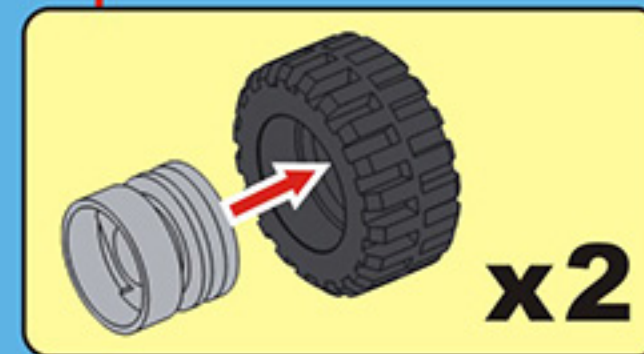
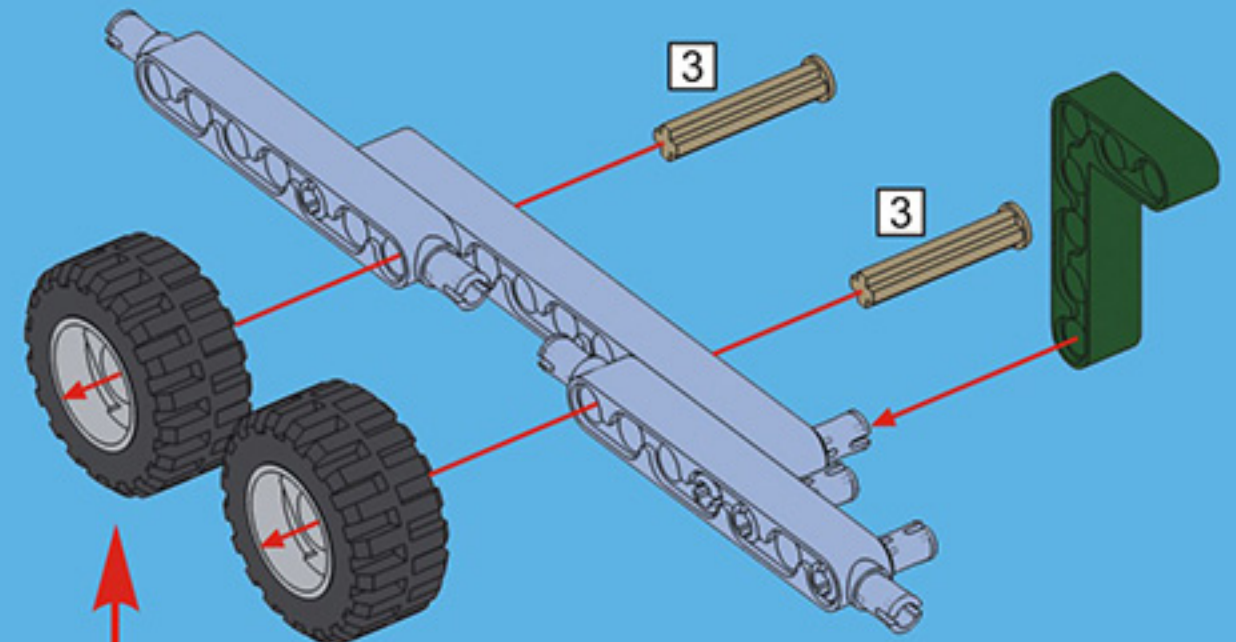
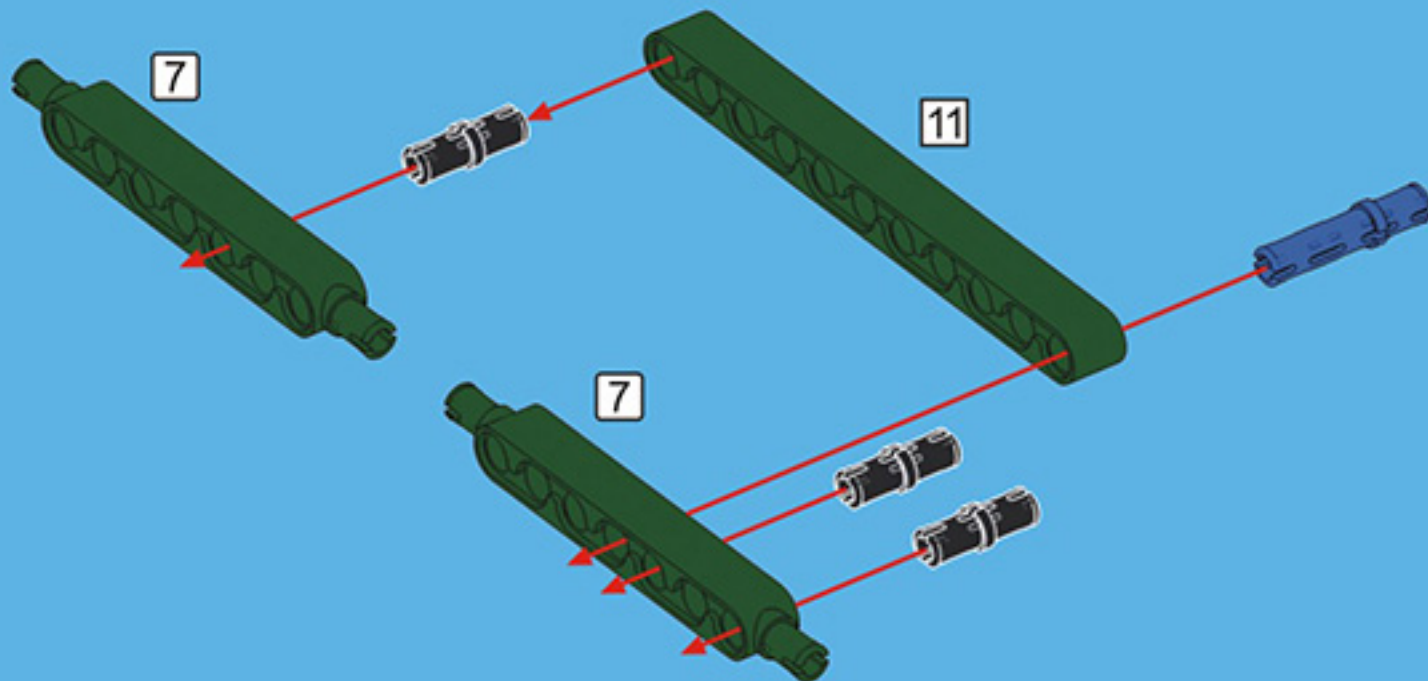
# A



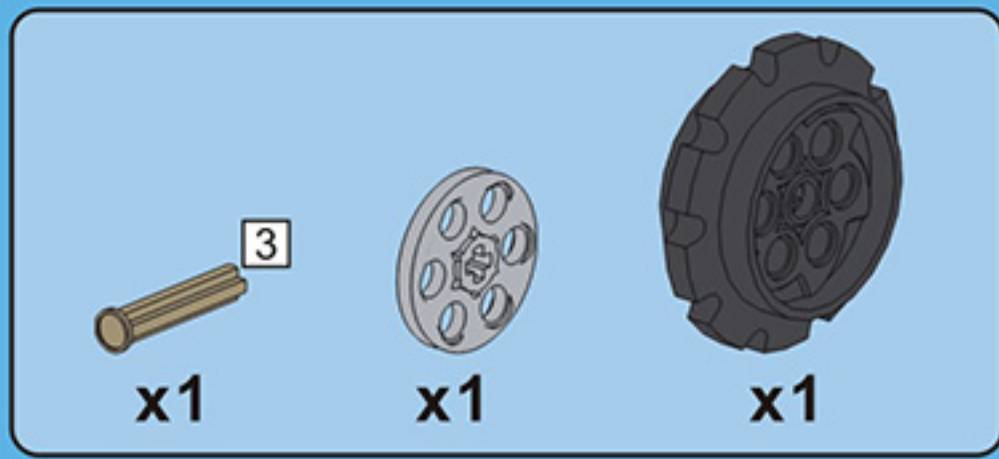
# A2



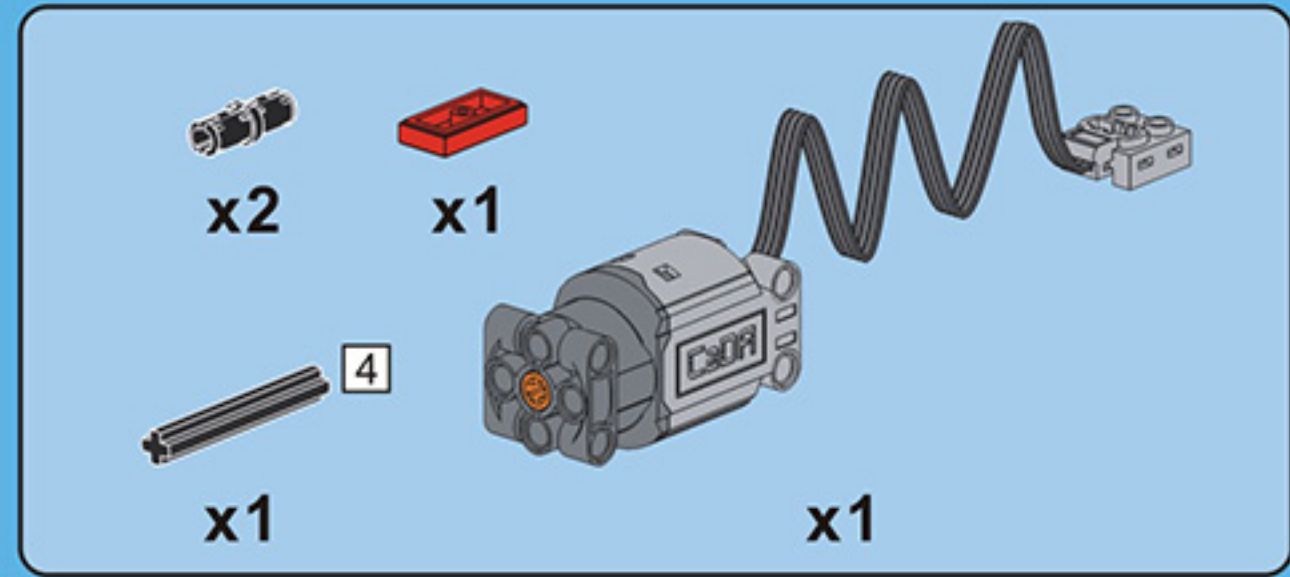
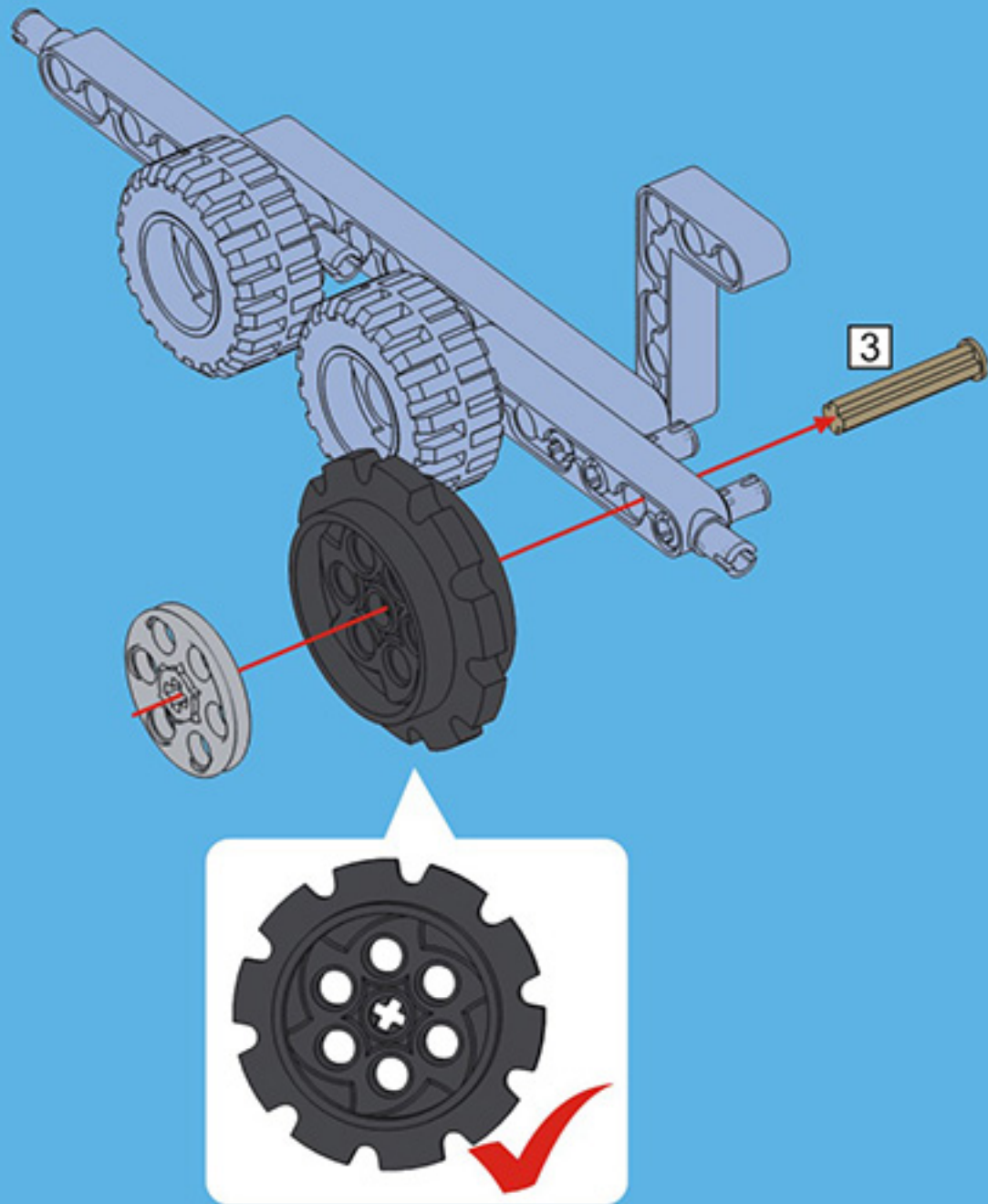
# A1



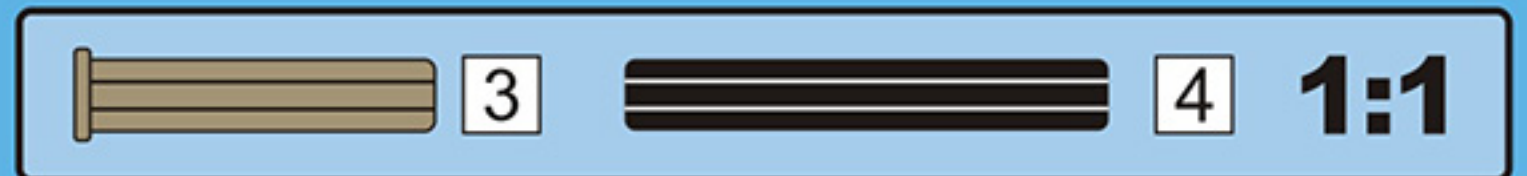
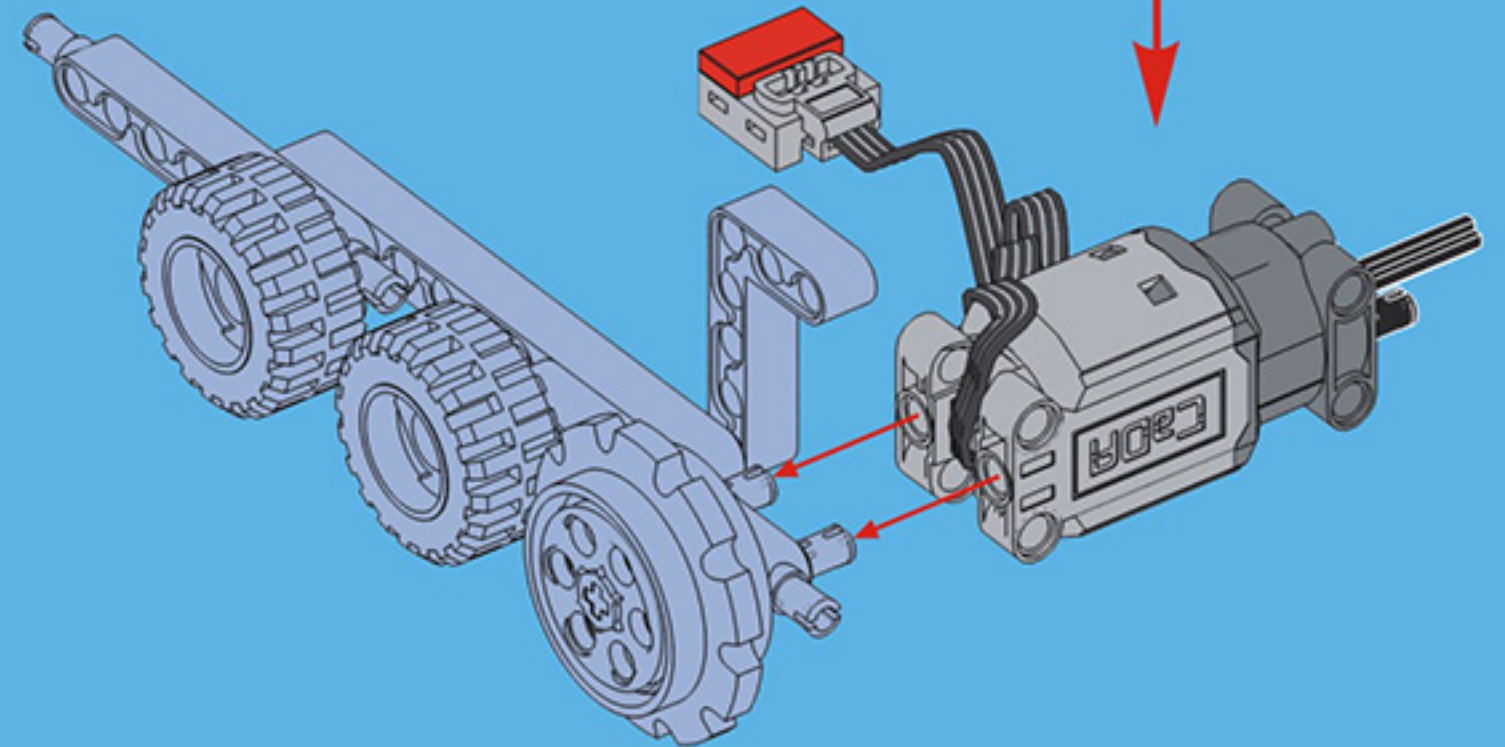
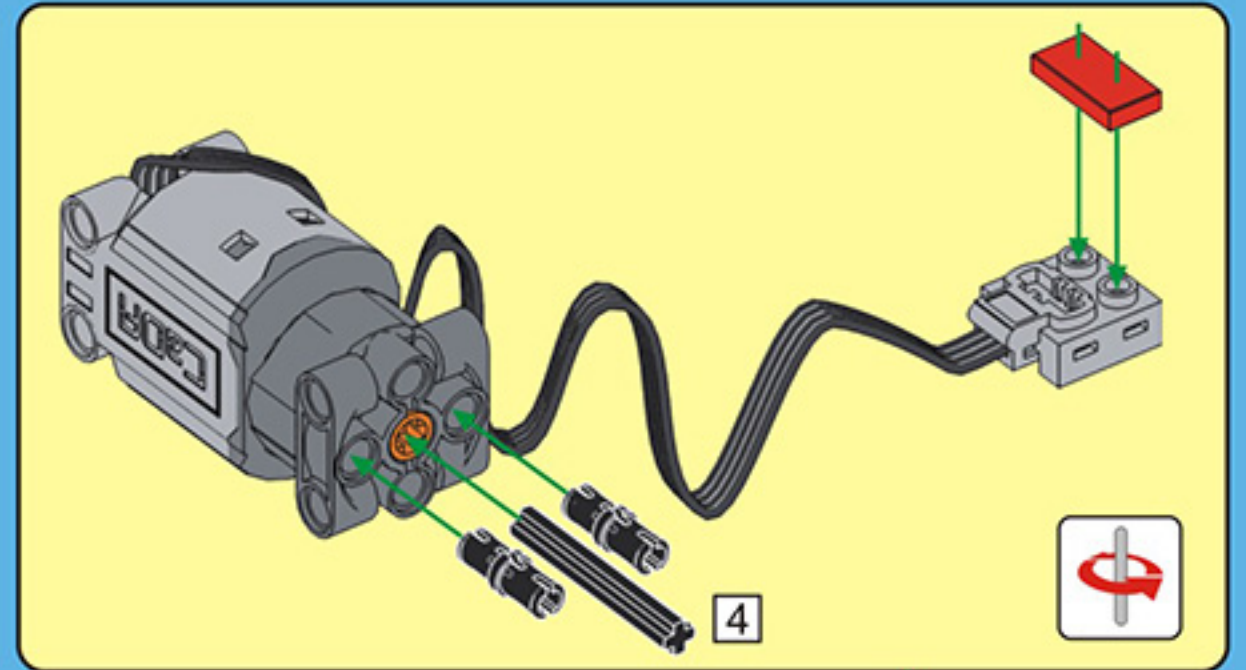




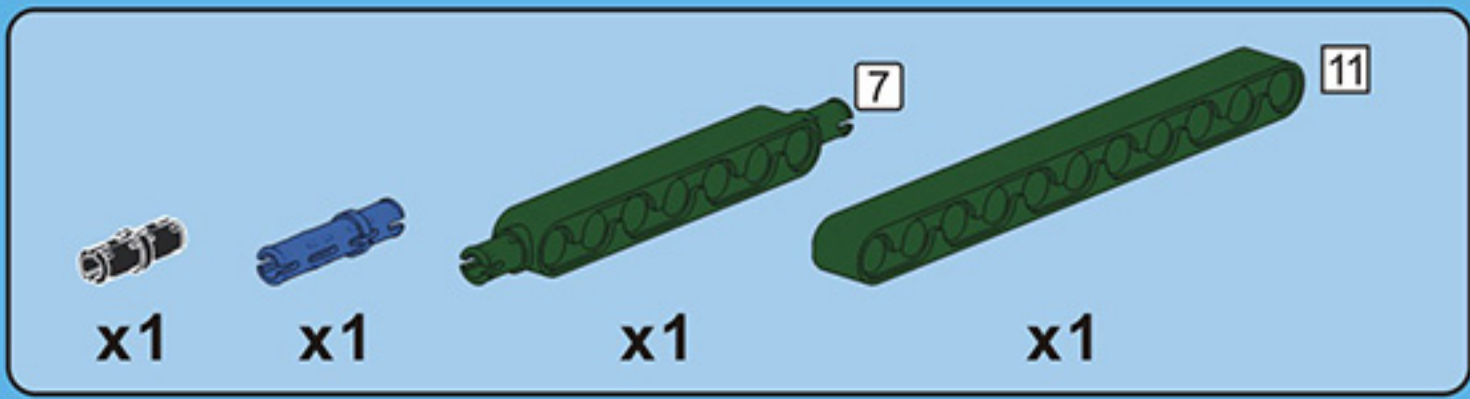
# A3



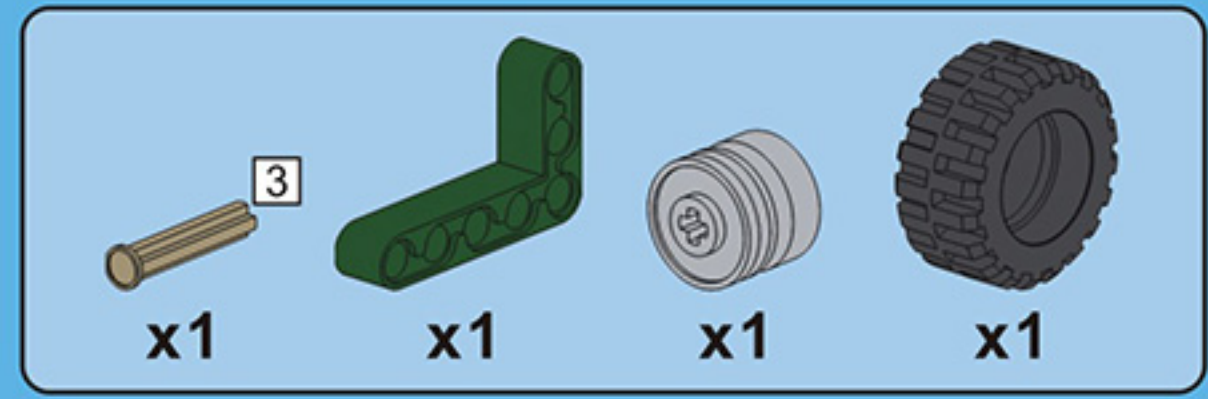
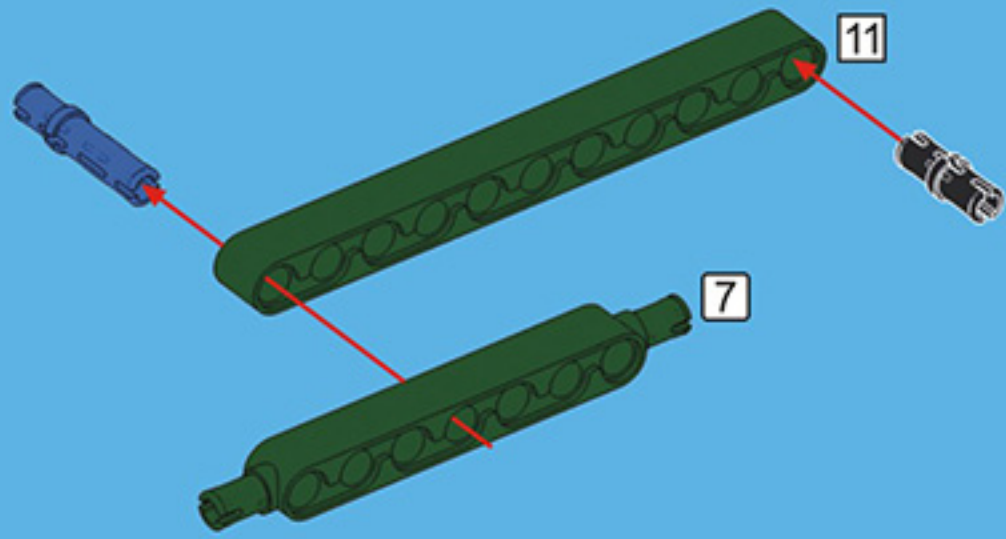
# A4



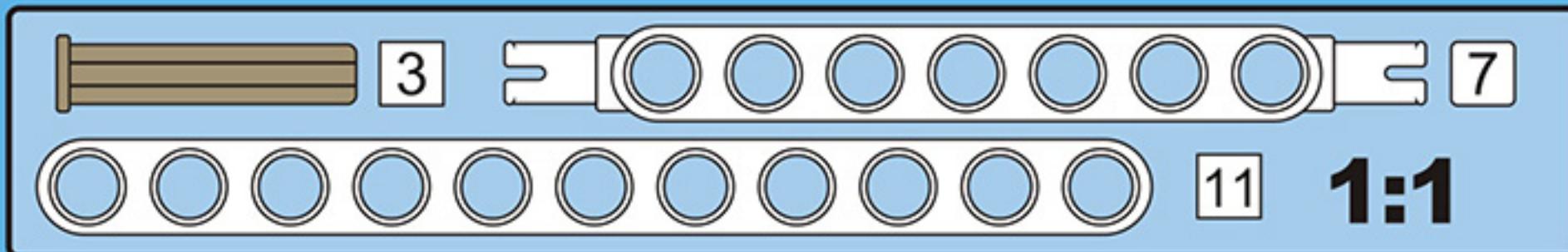
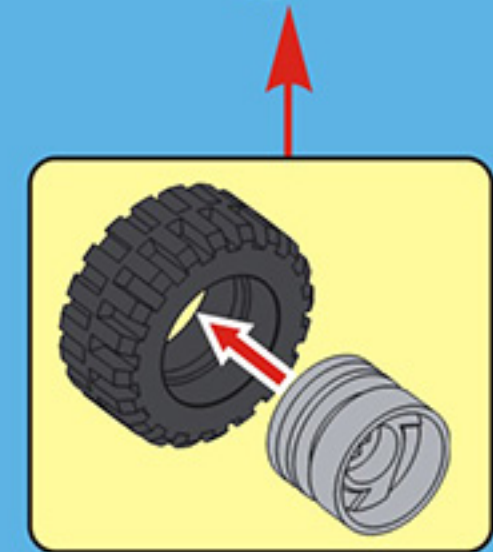
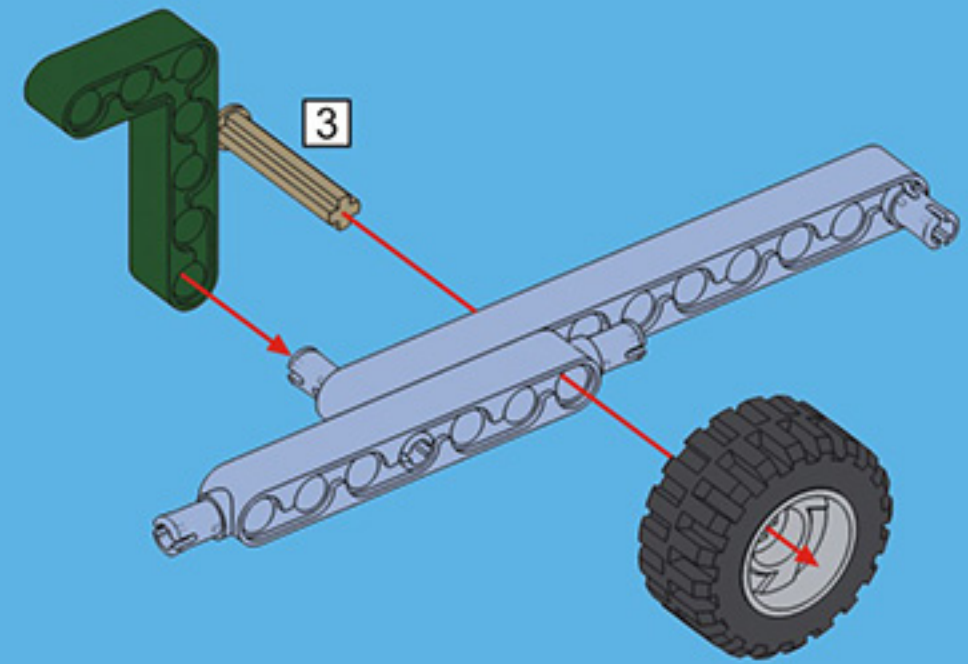




**A5**

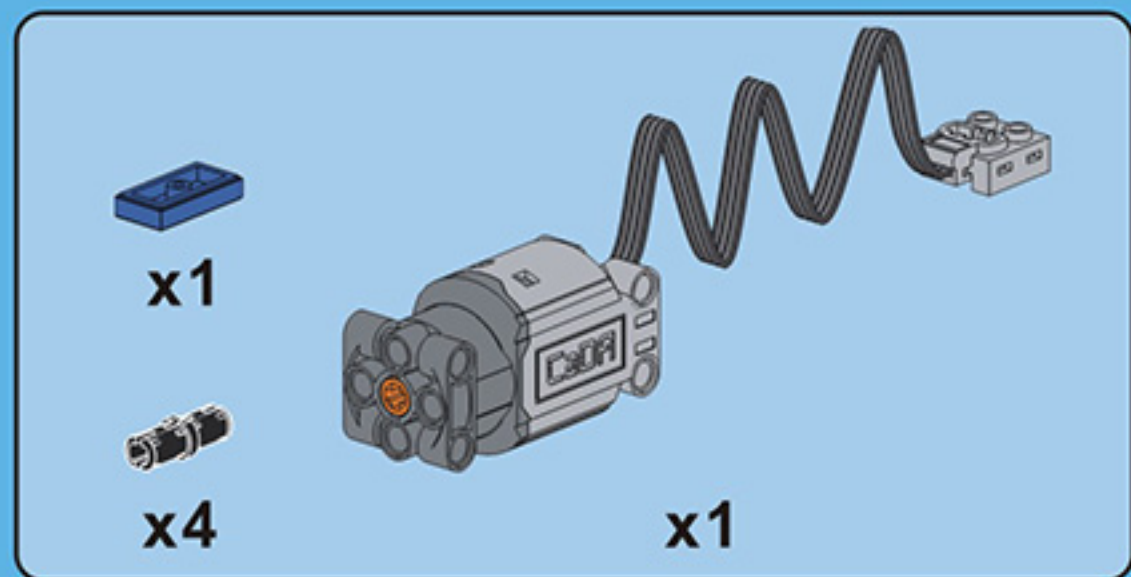
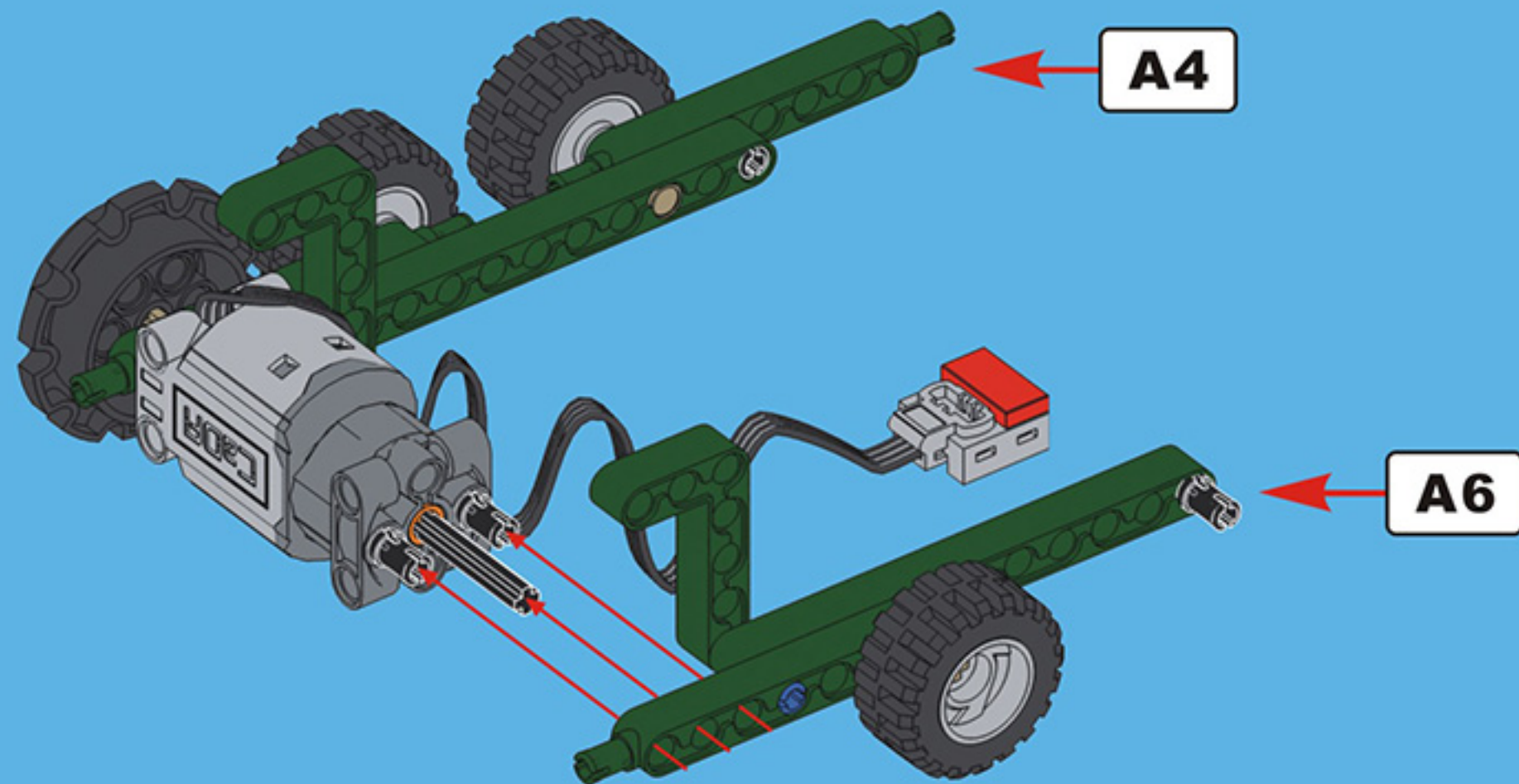


**A6**

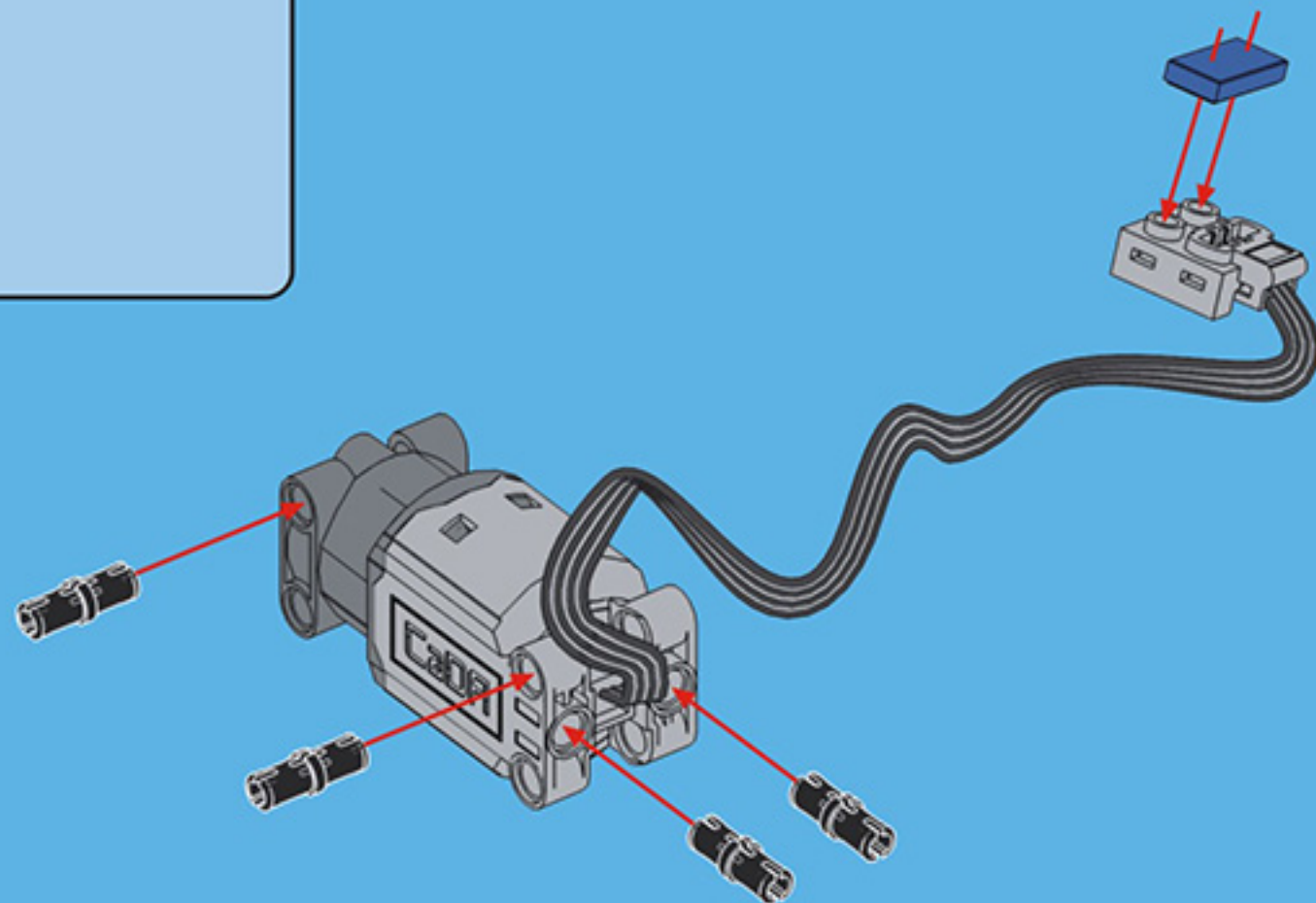




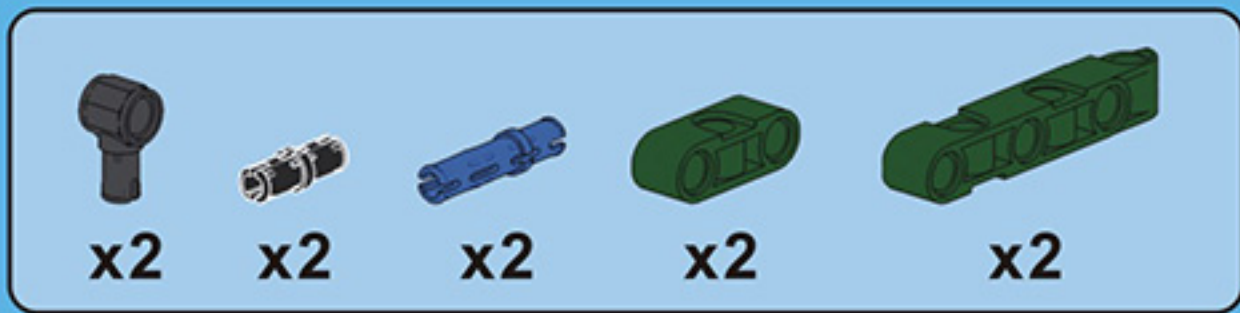
# A7



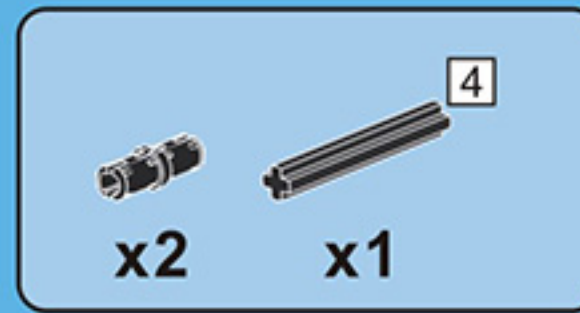
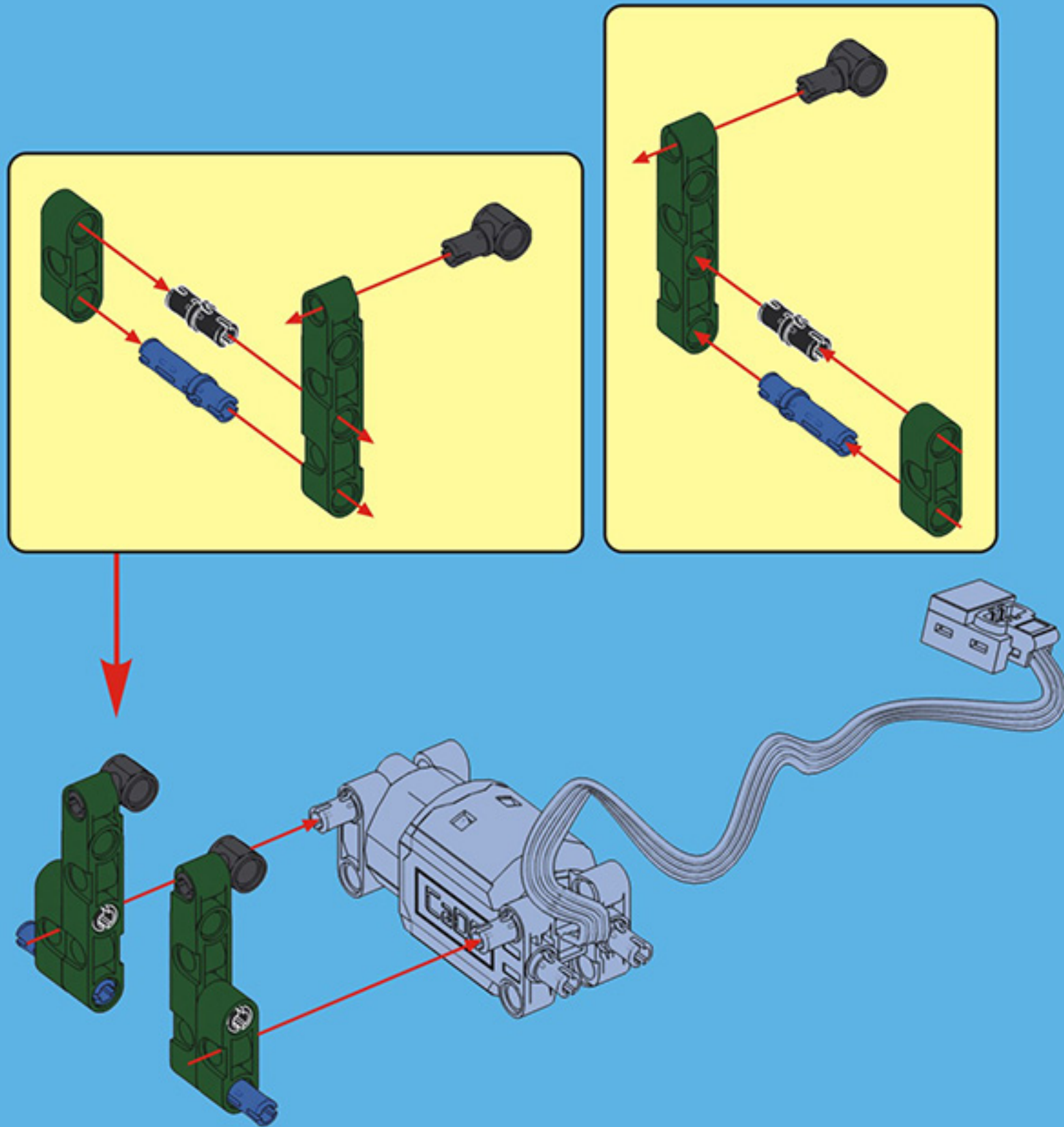
# A8



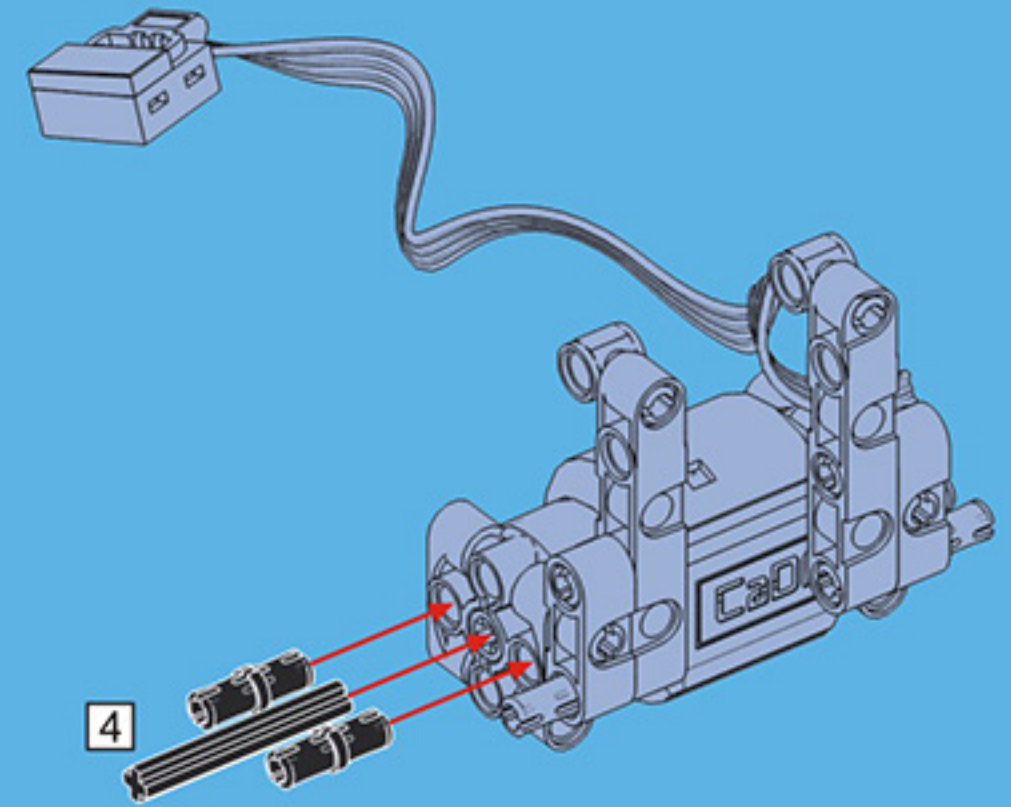




# A9

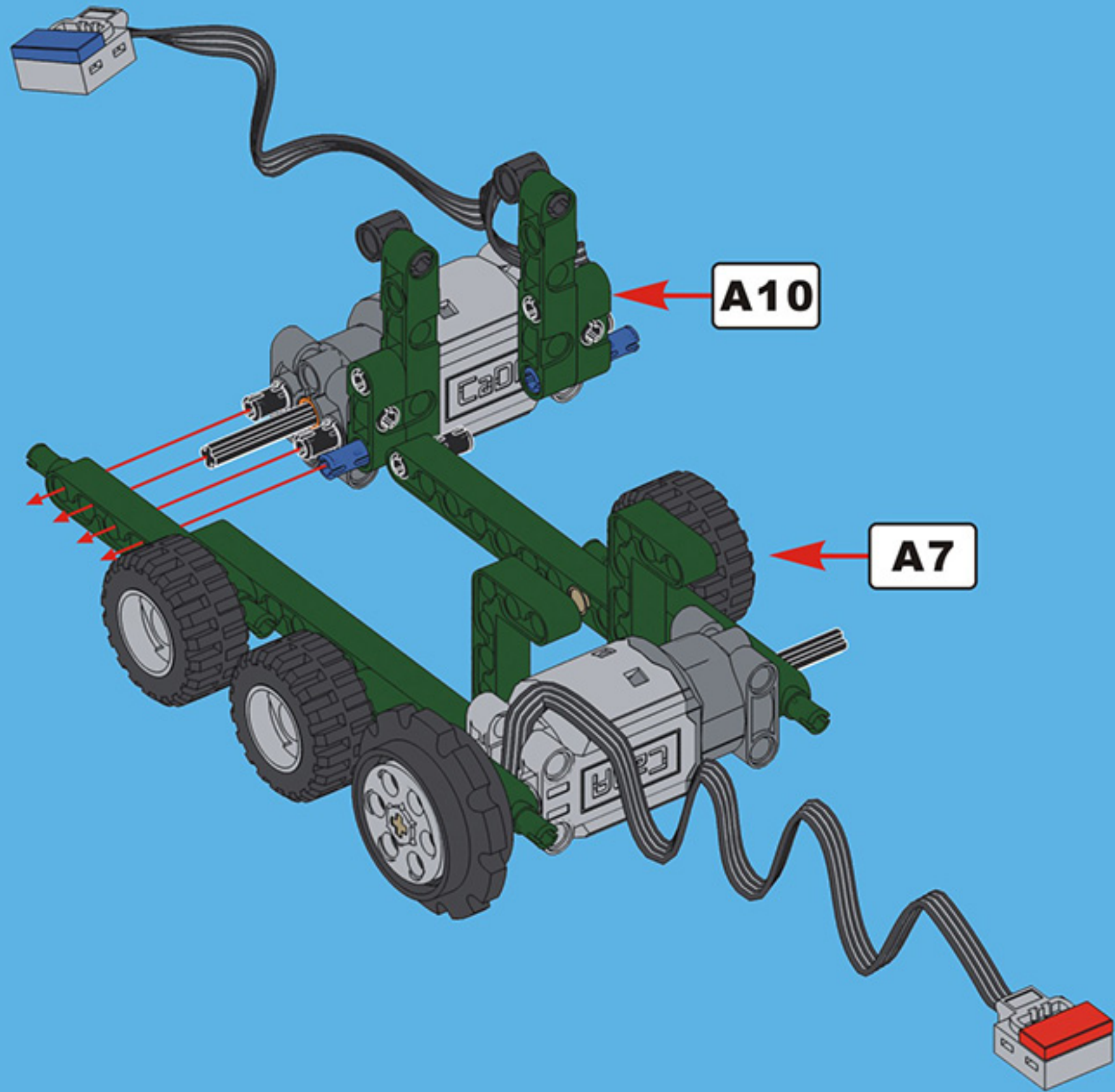


# A10

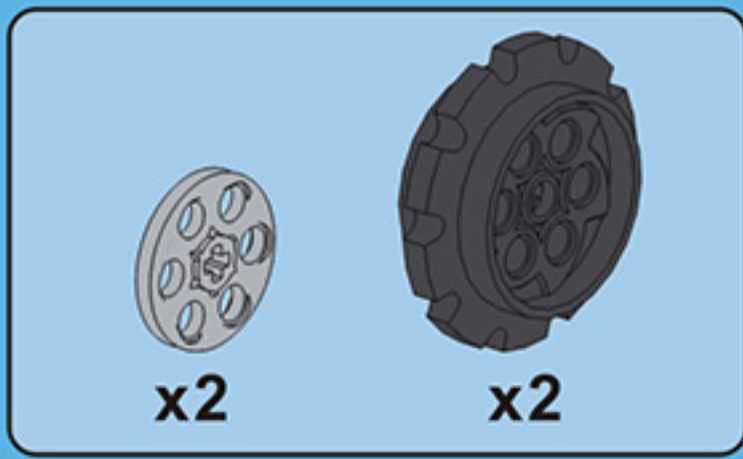




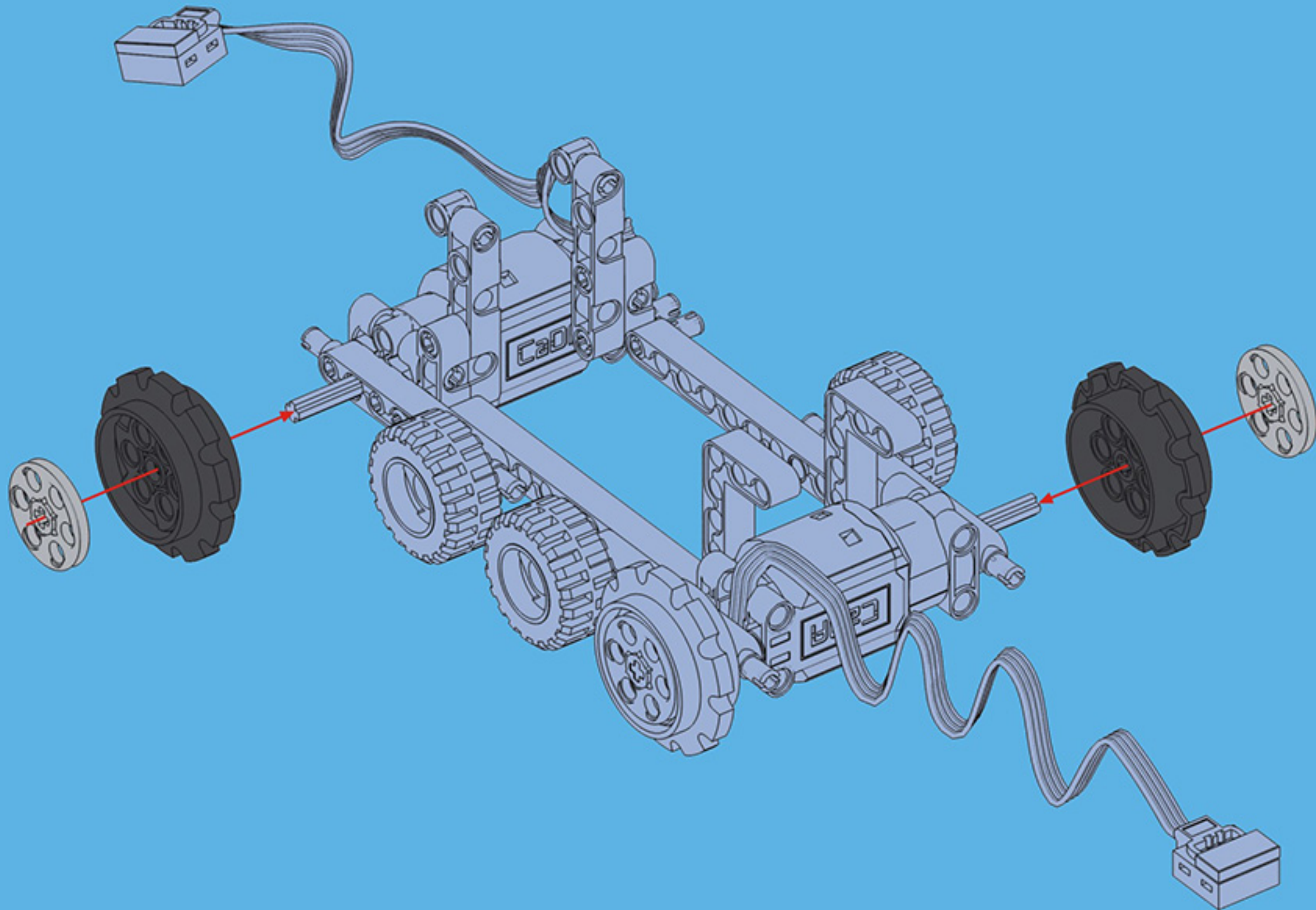
# A11



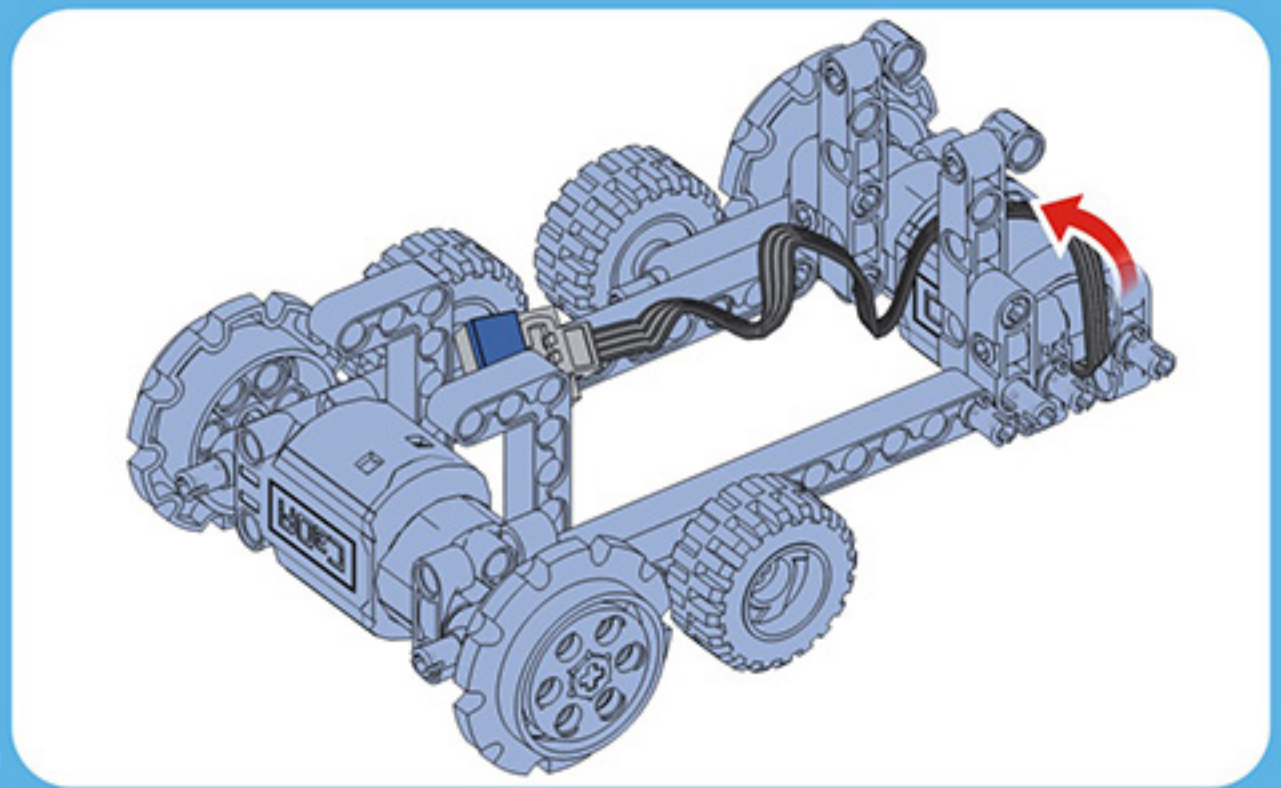
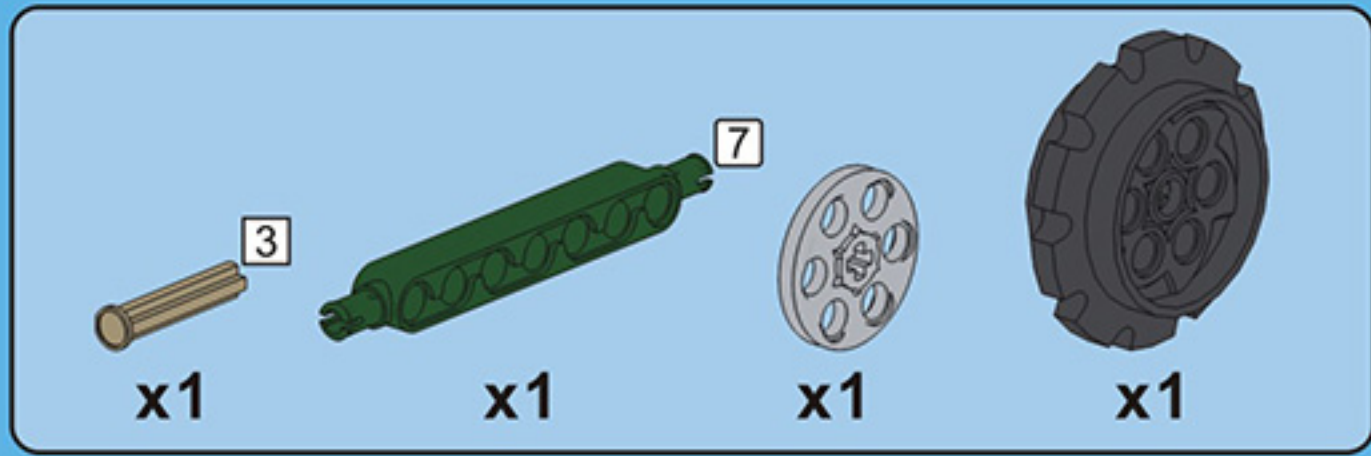




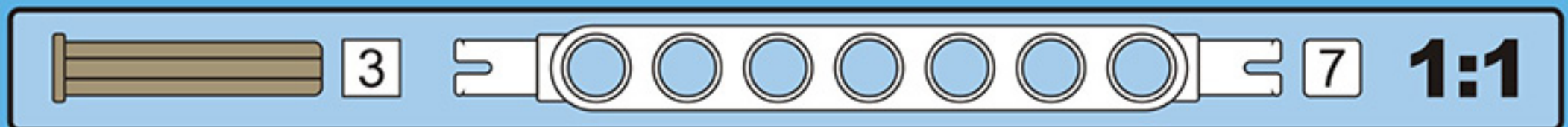
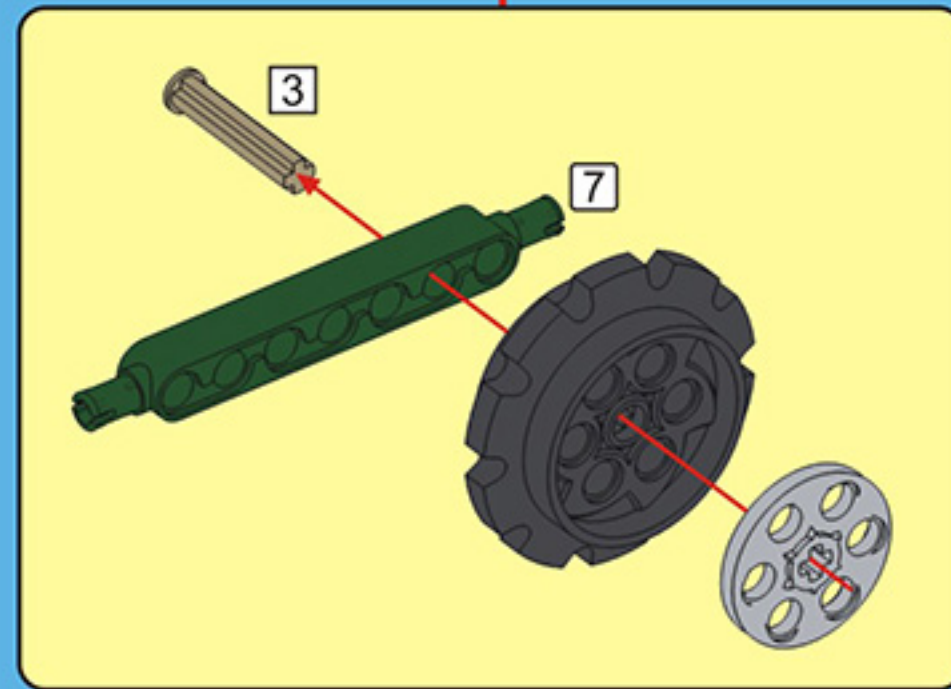
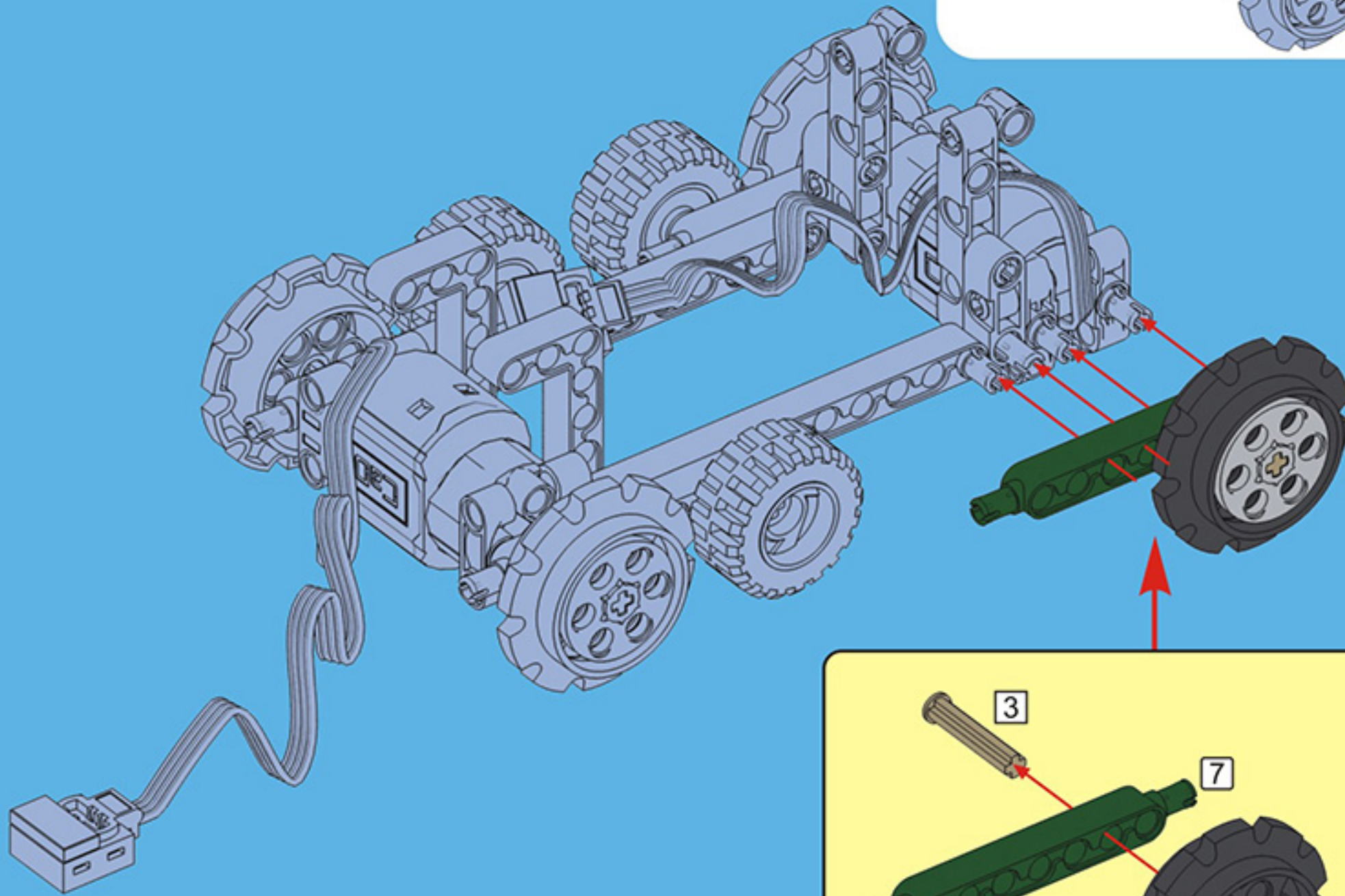
# A12



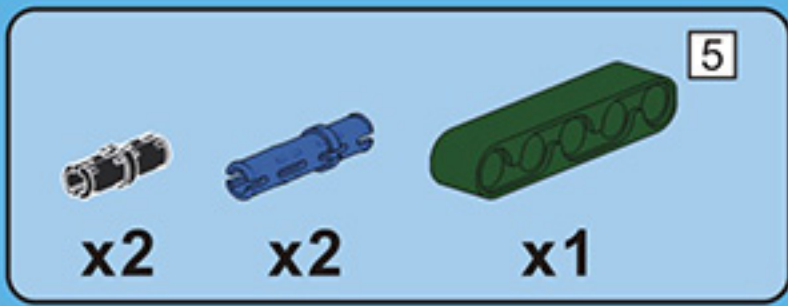




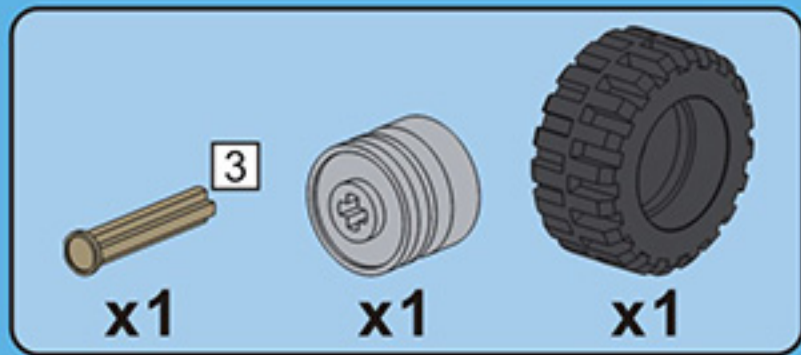
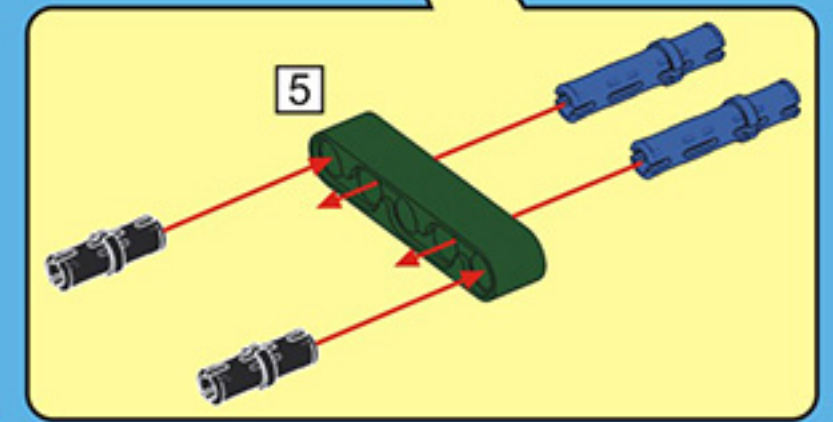
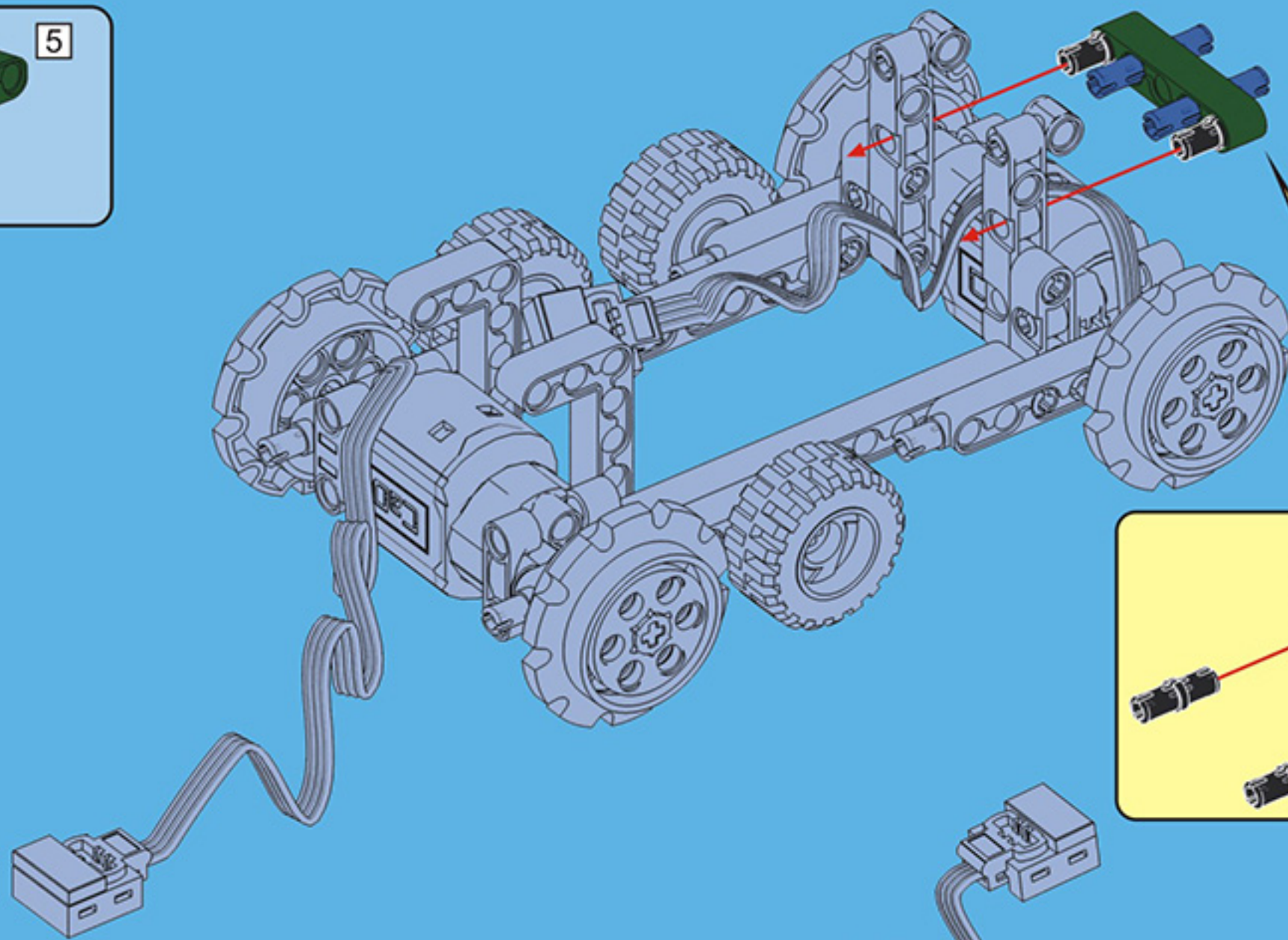
# A13



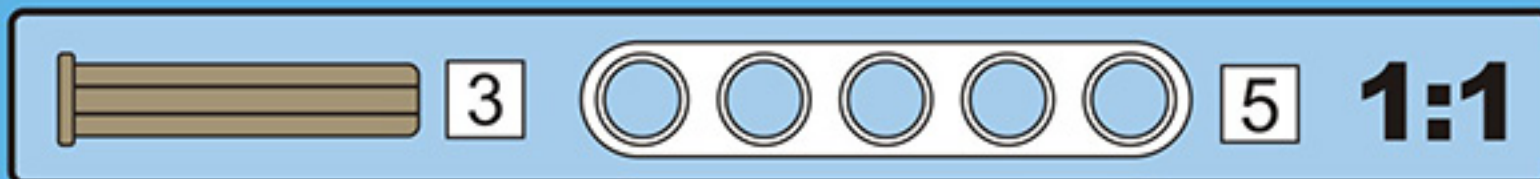
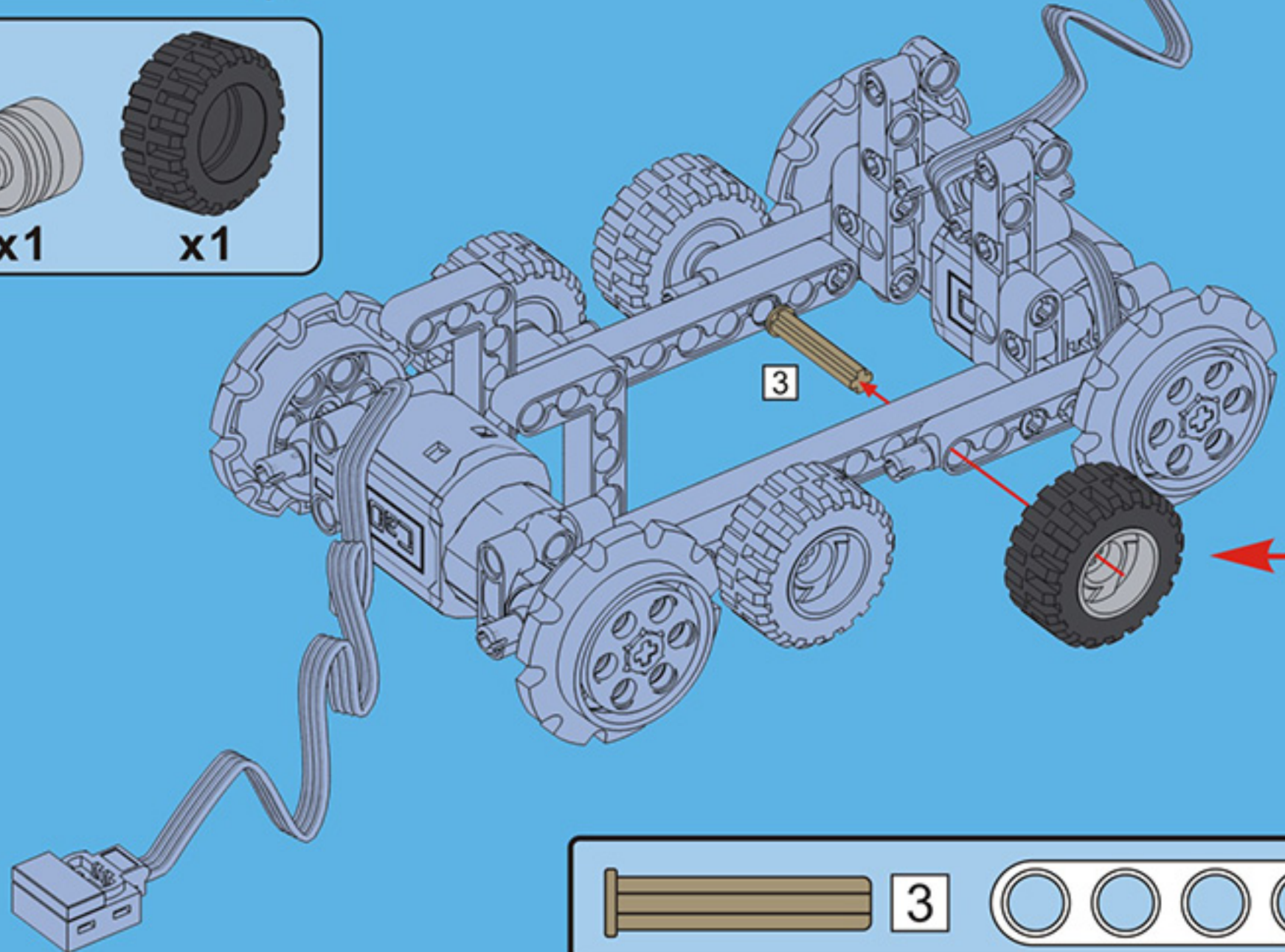




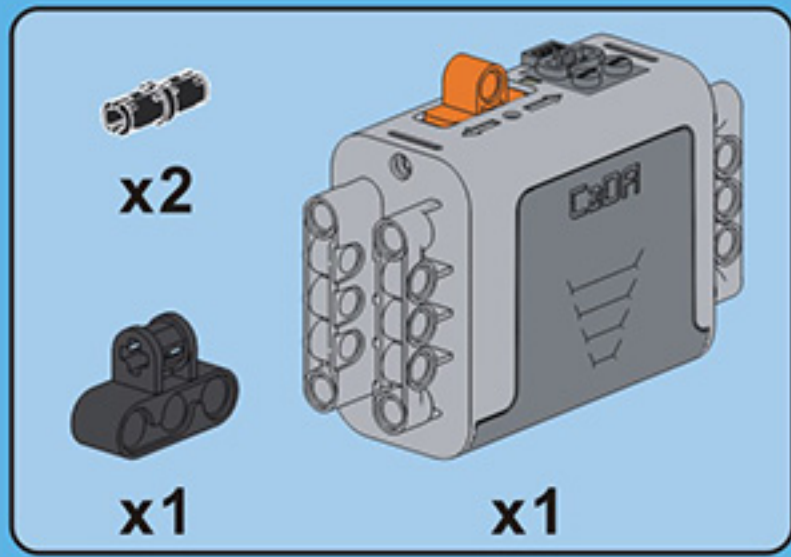
# A14



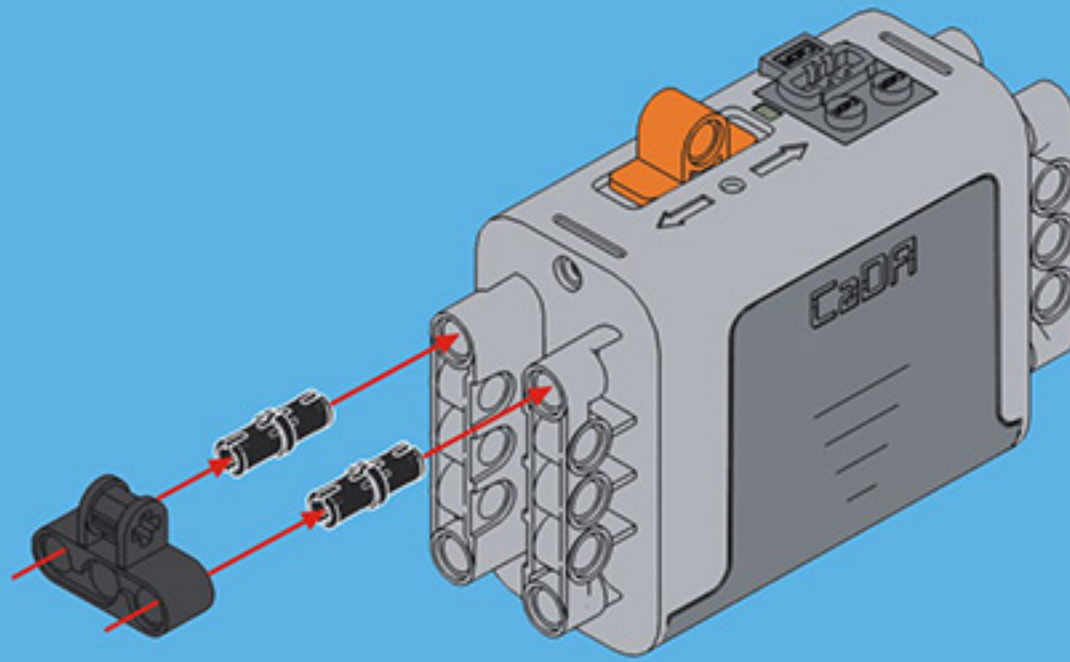
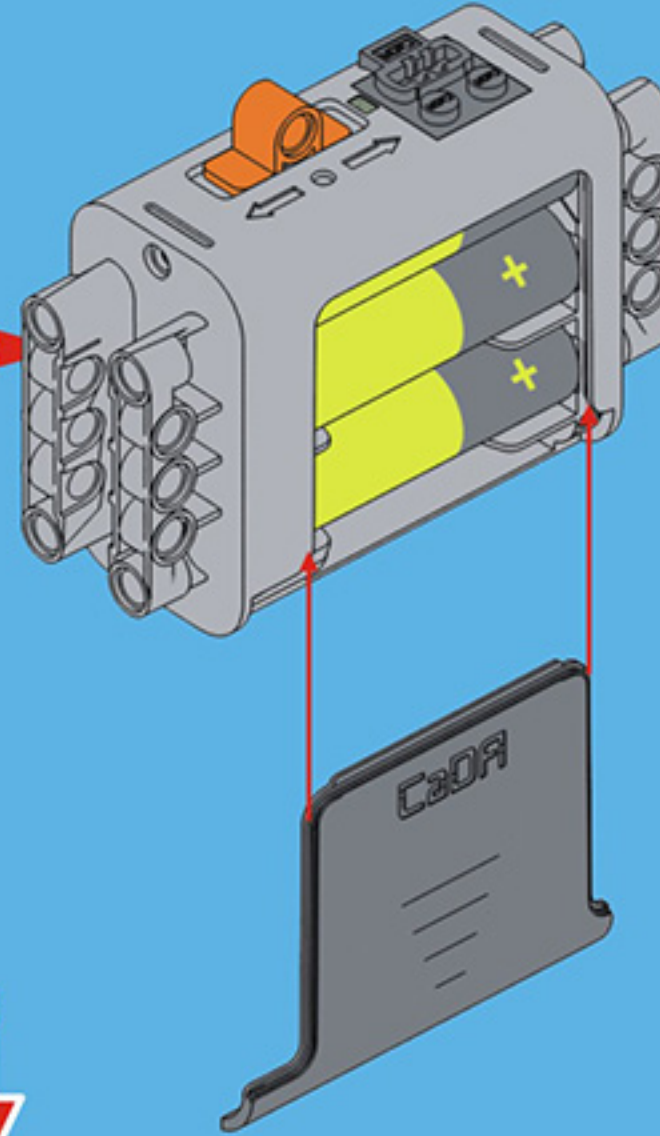
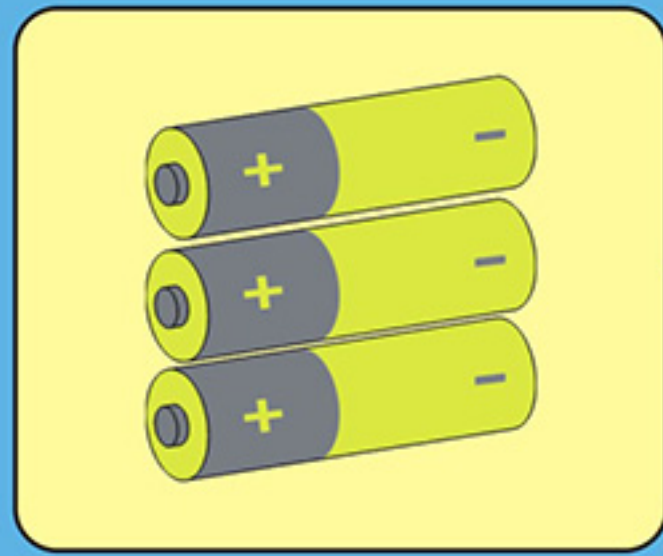
# A15





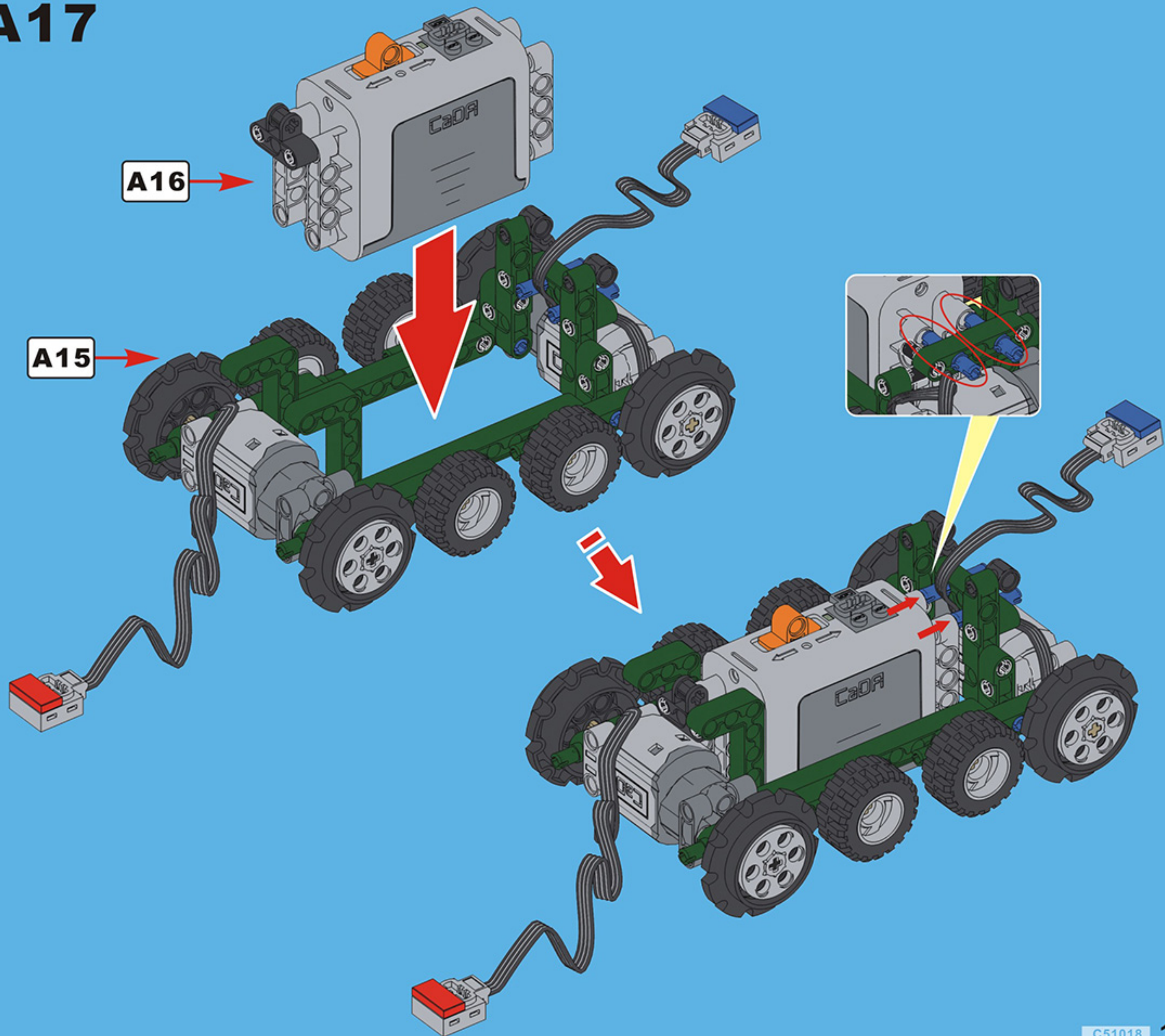


# A16

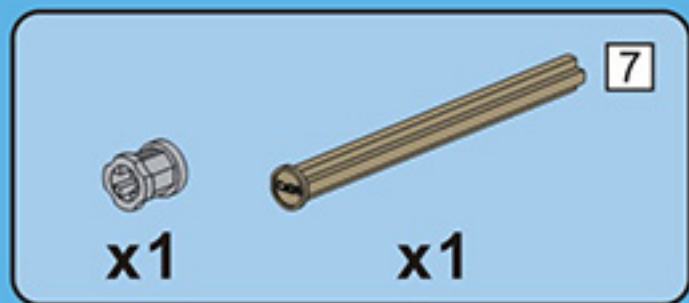




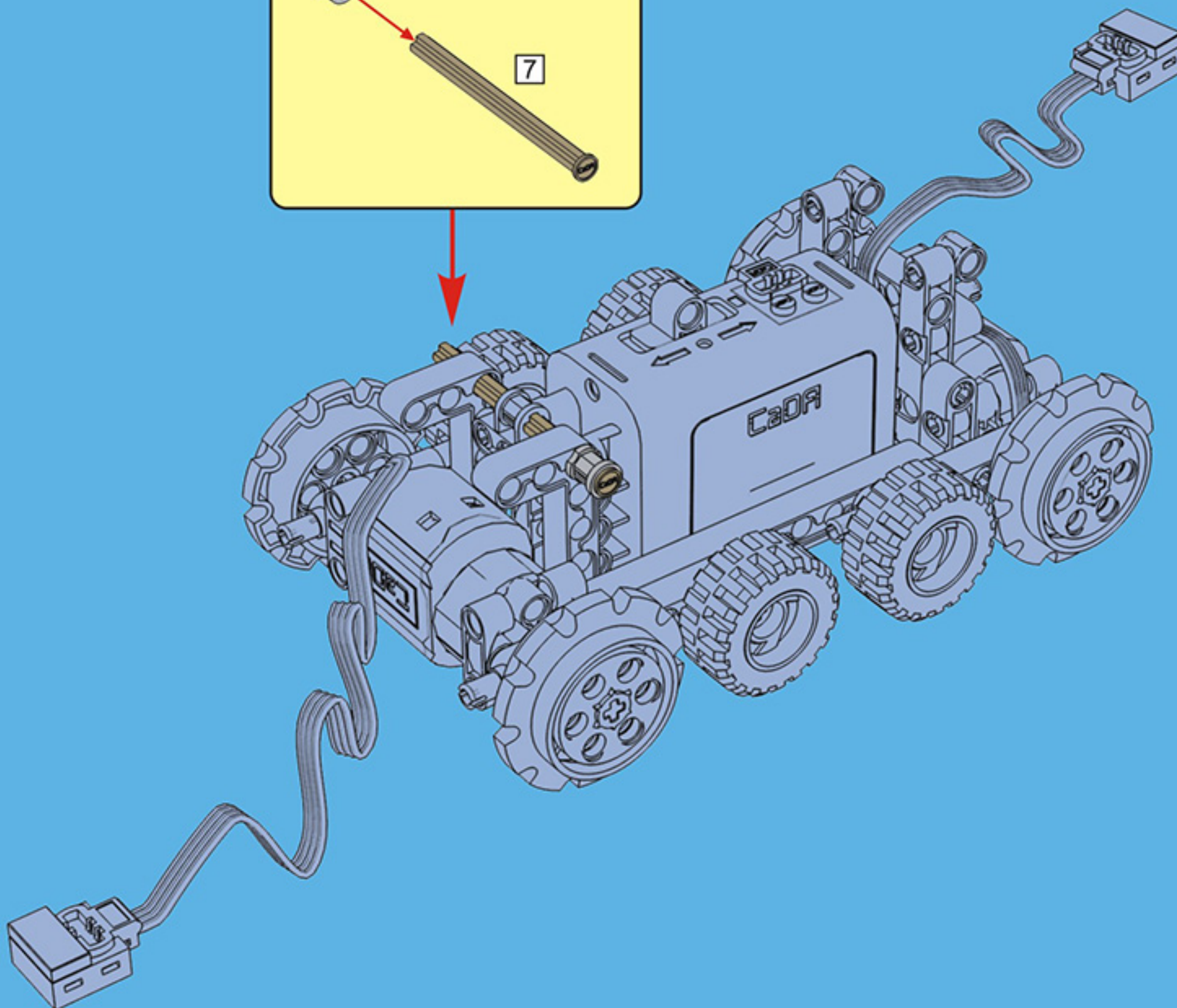
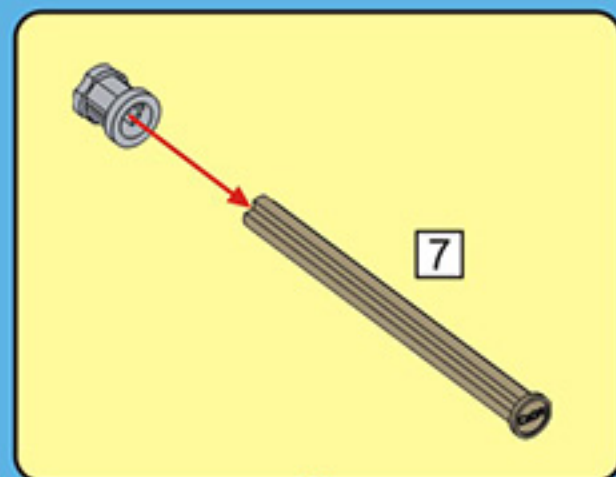
# A17



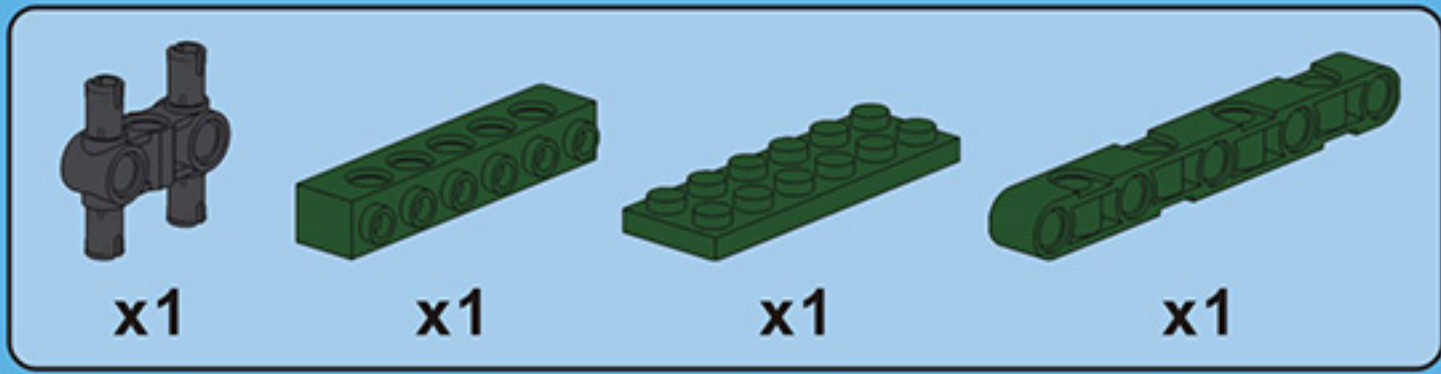




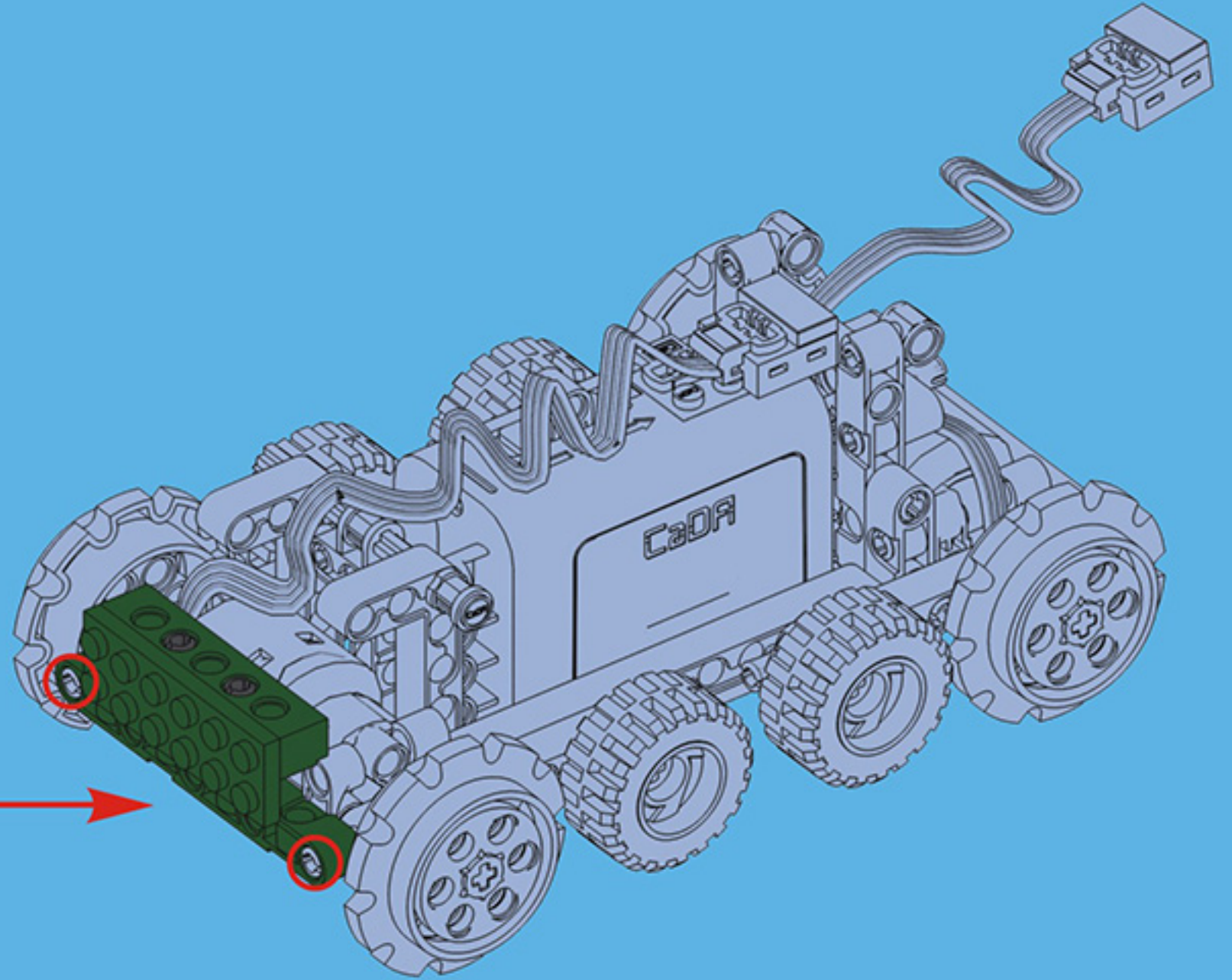
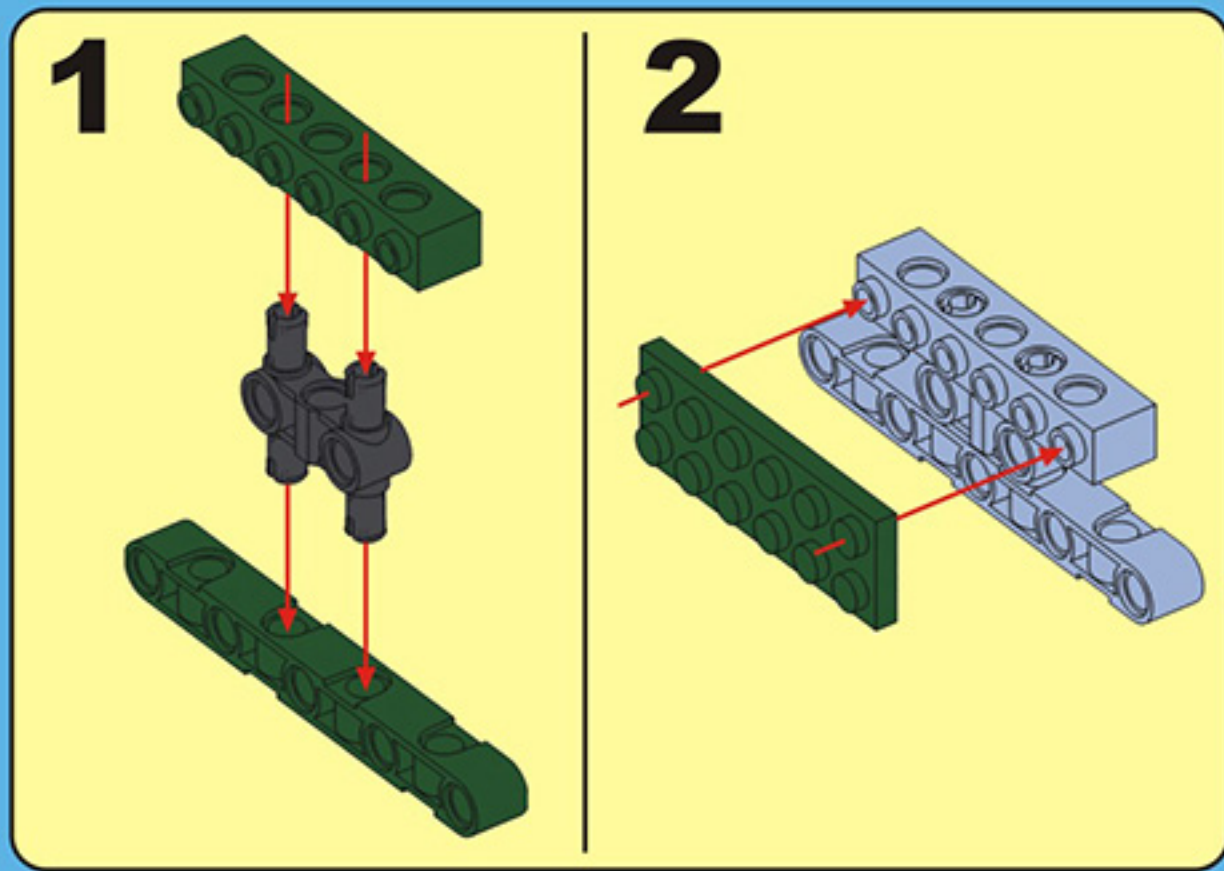
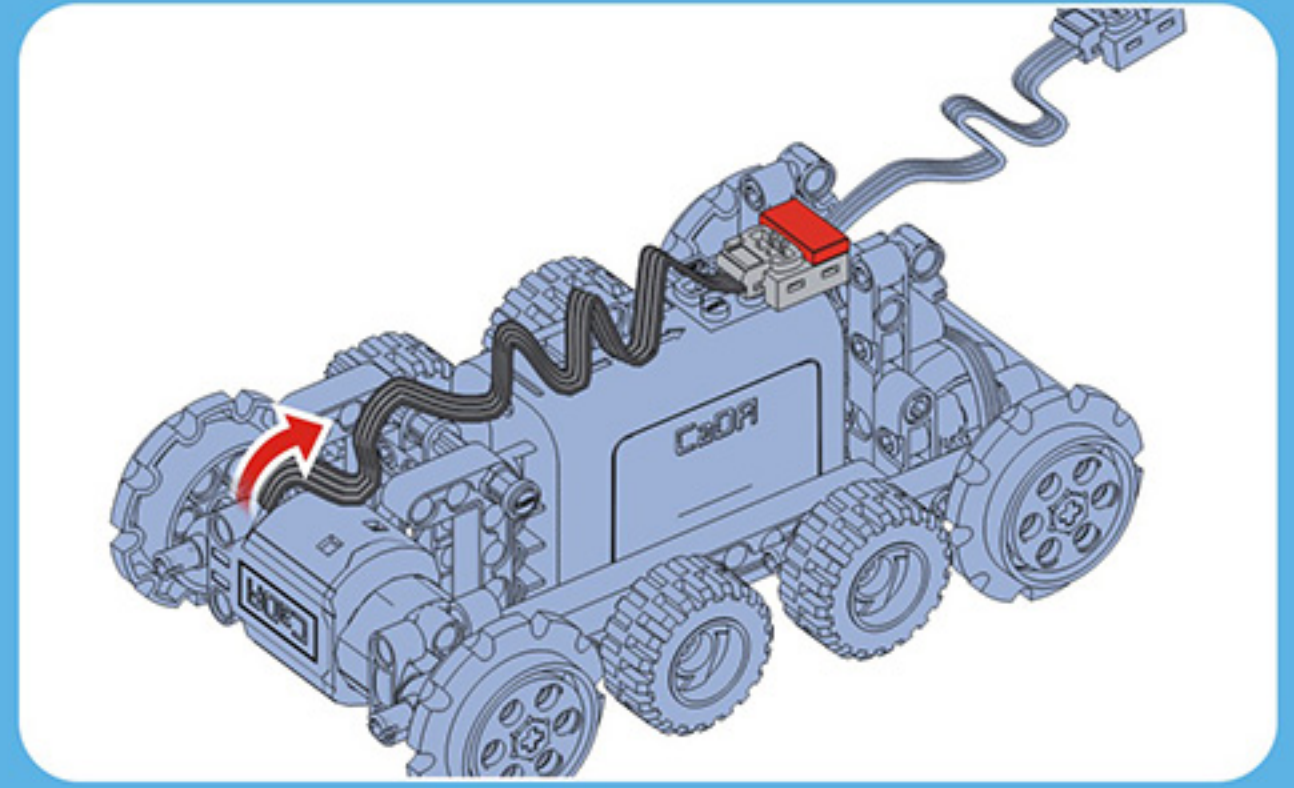
# A18



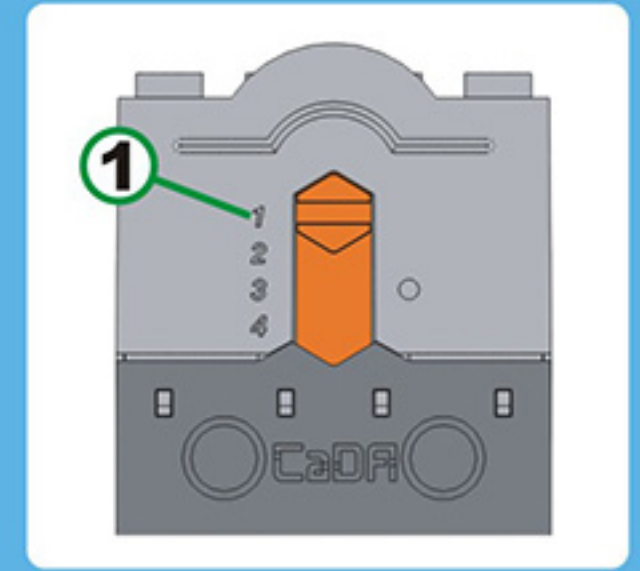
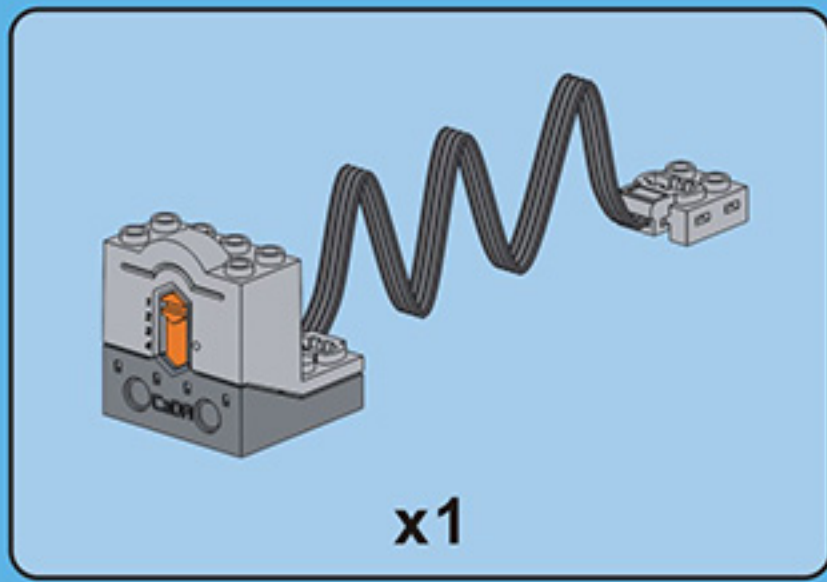




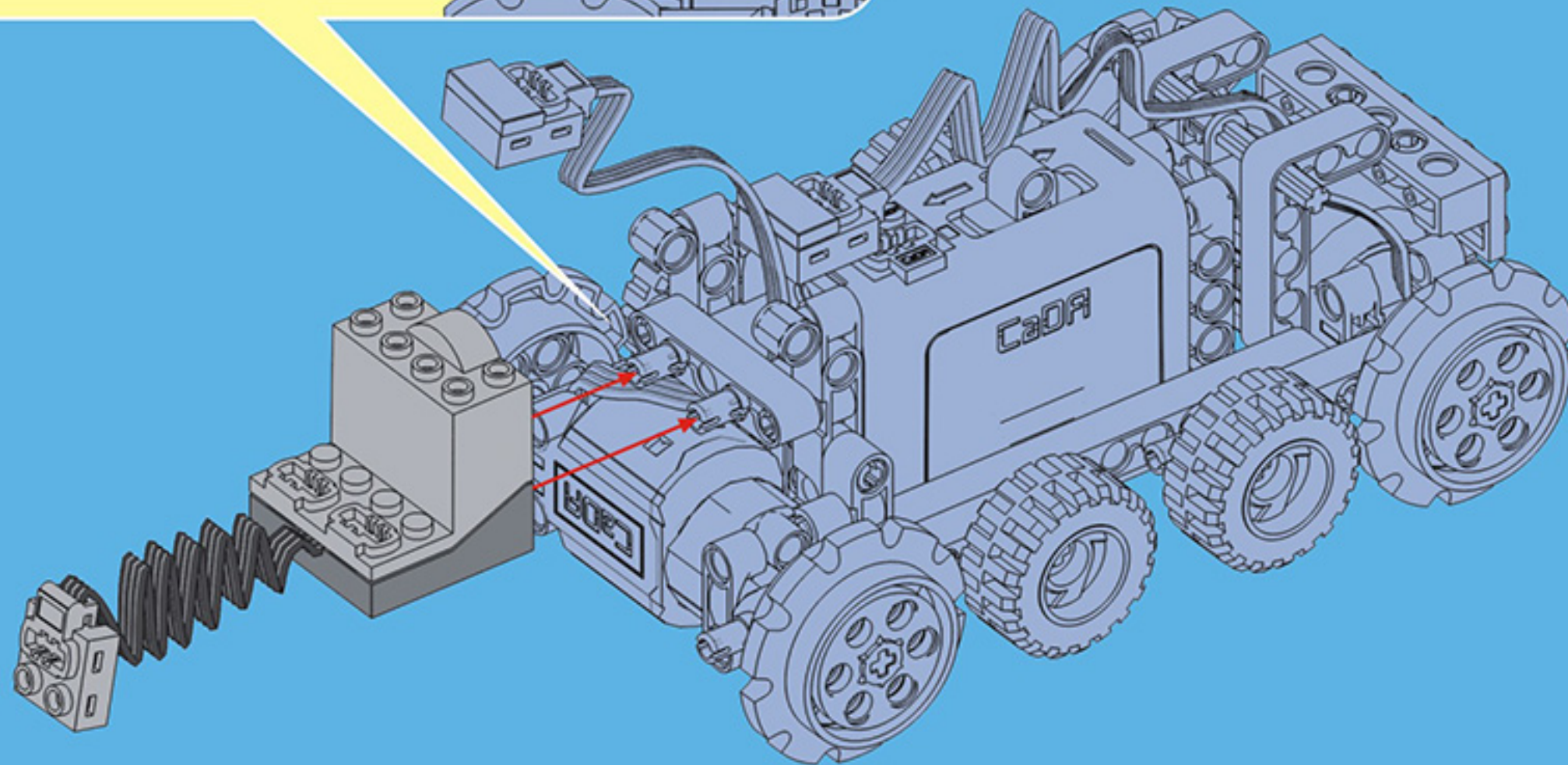
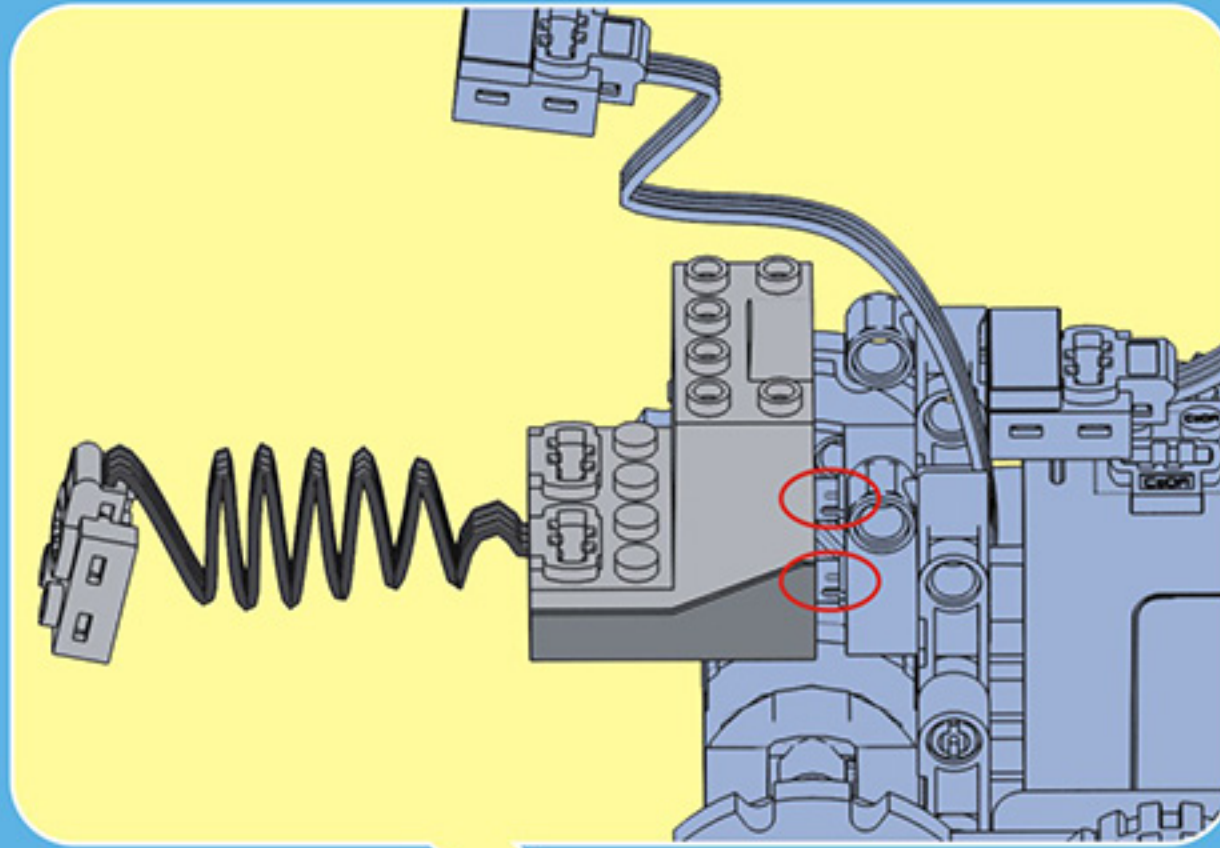
# A19





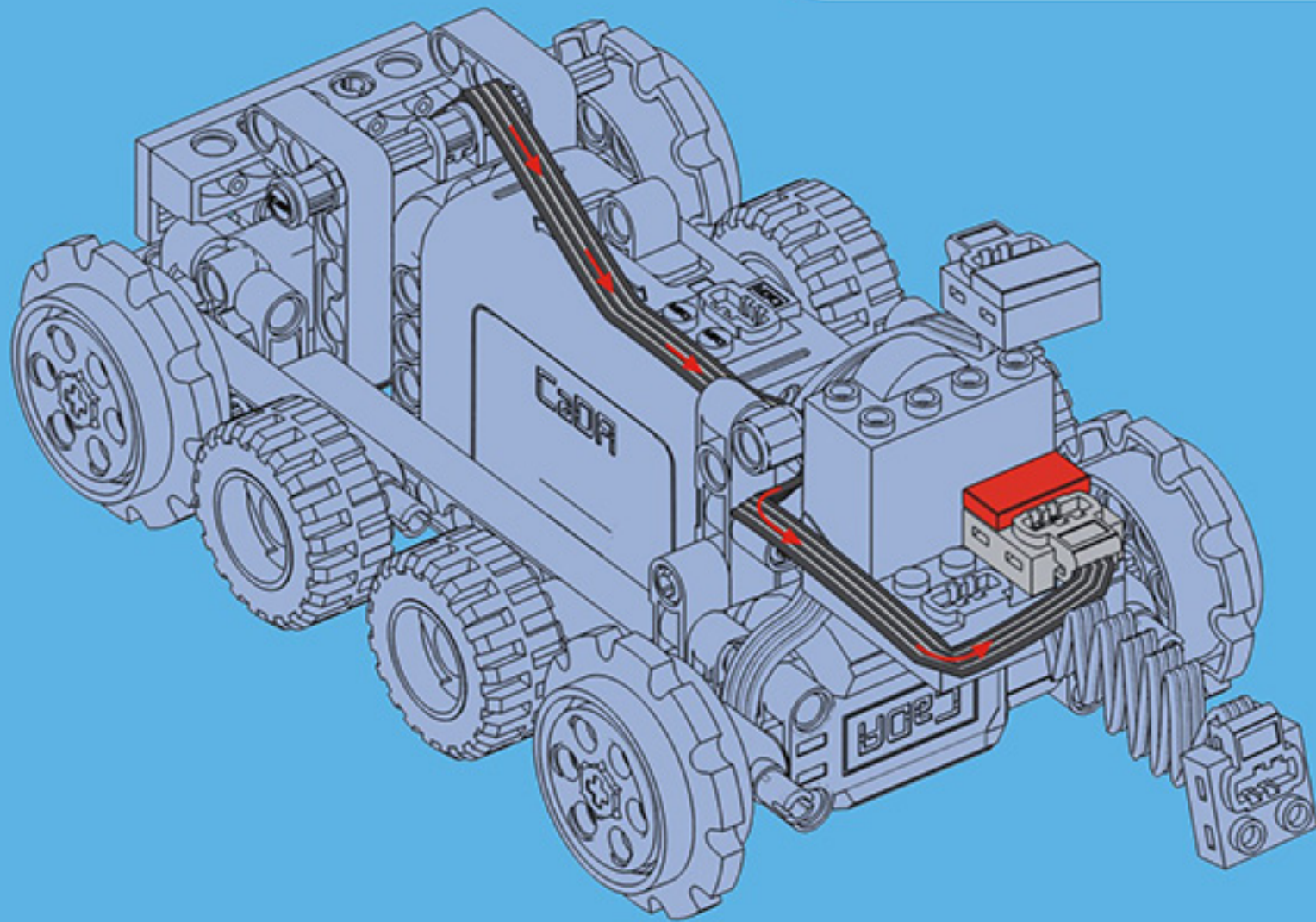
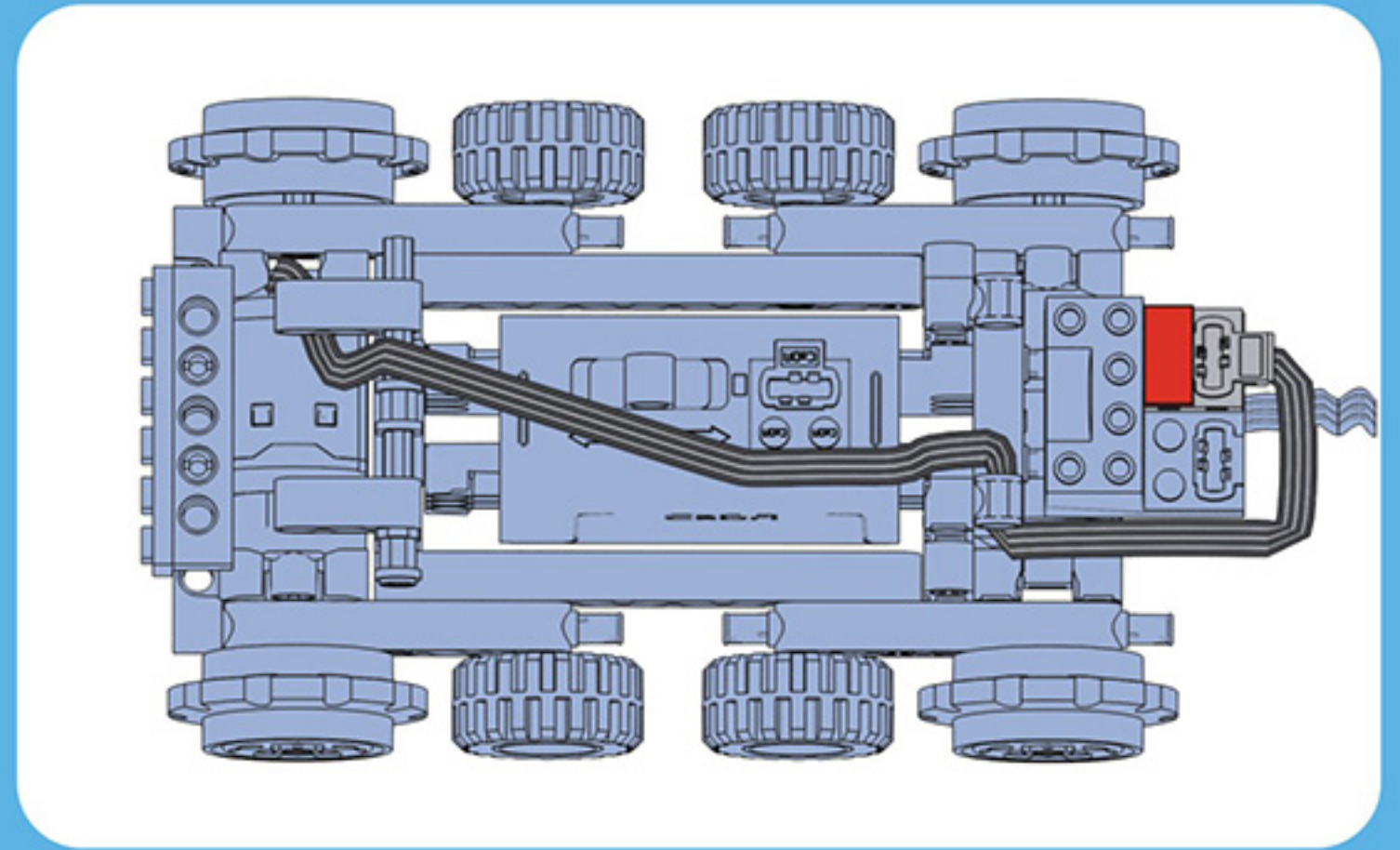


# A20



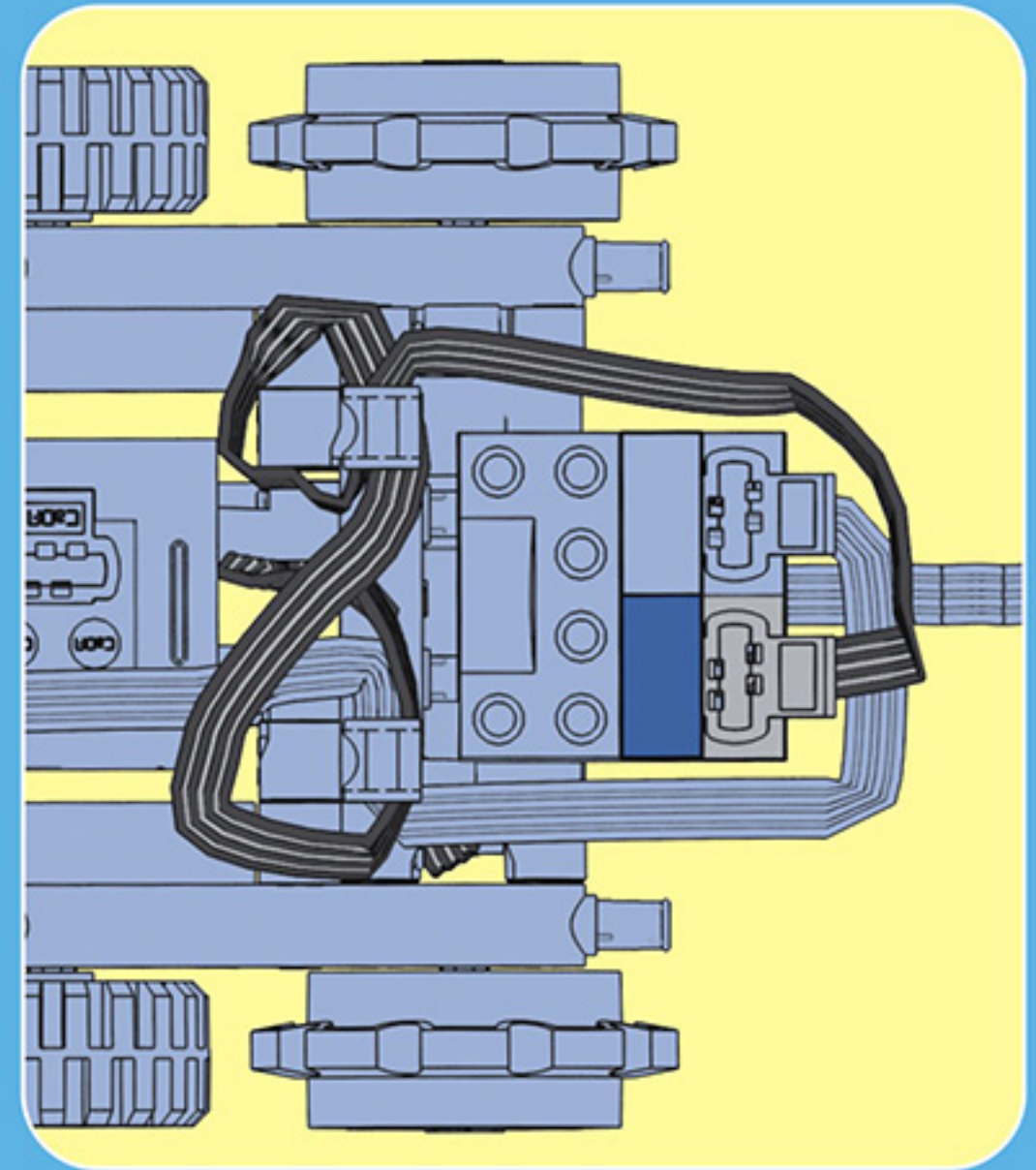
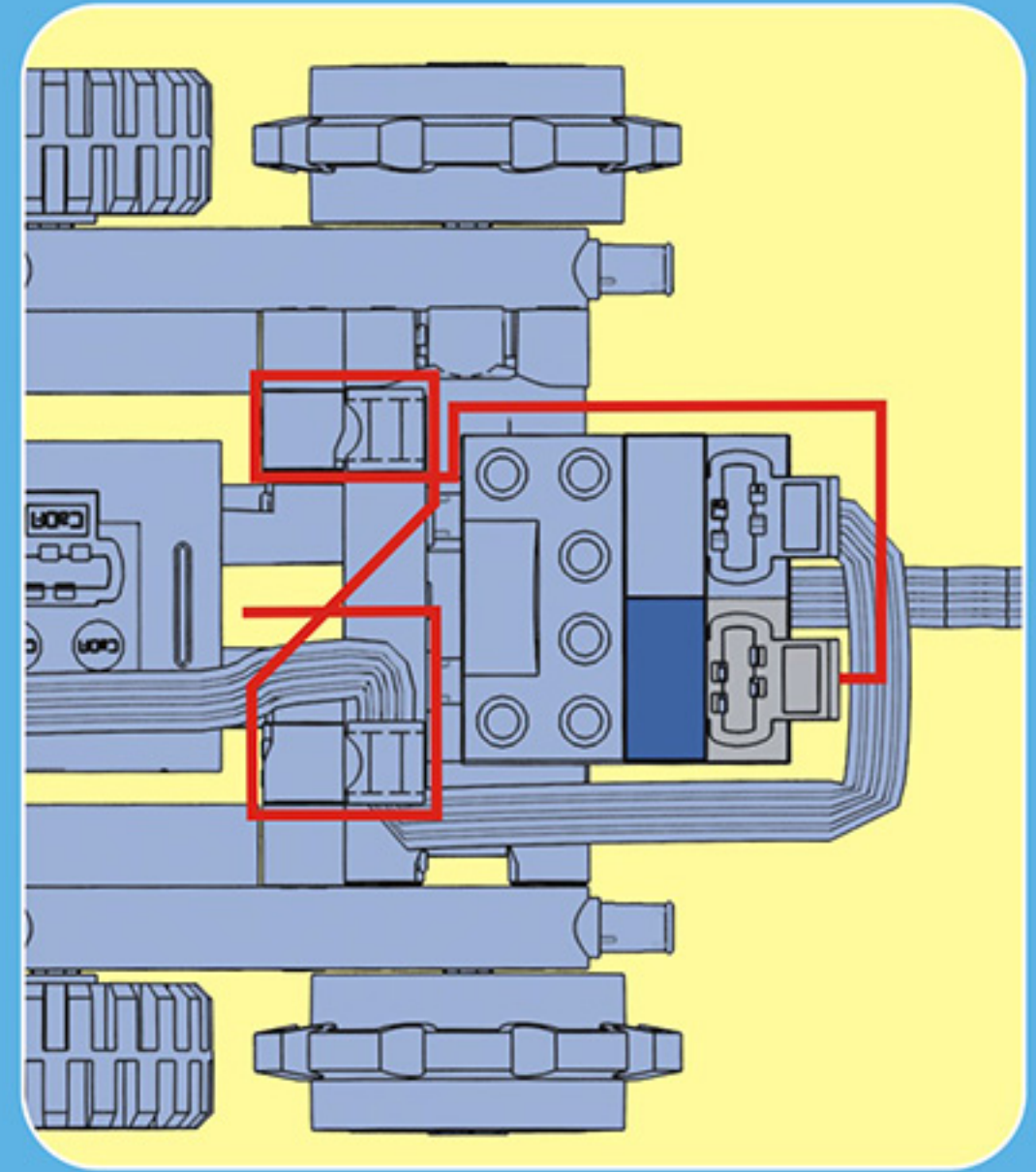
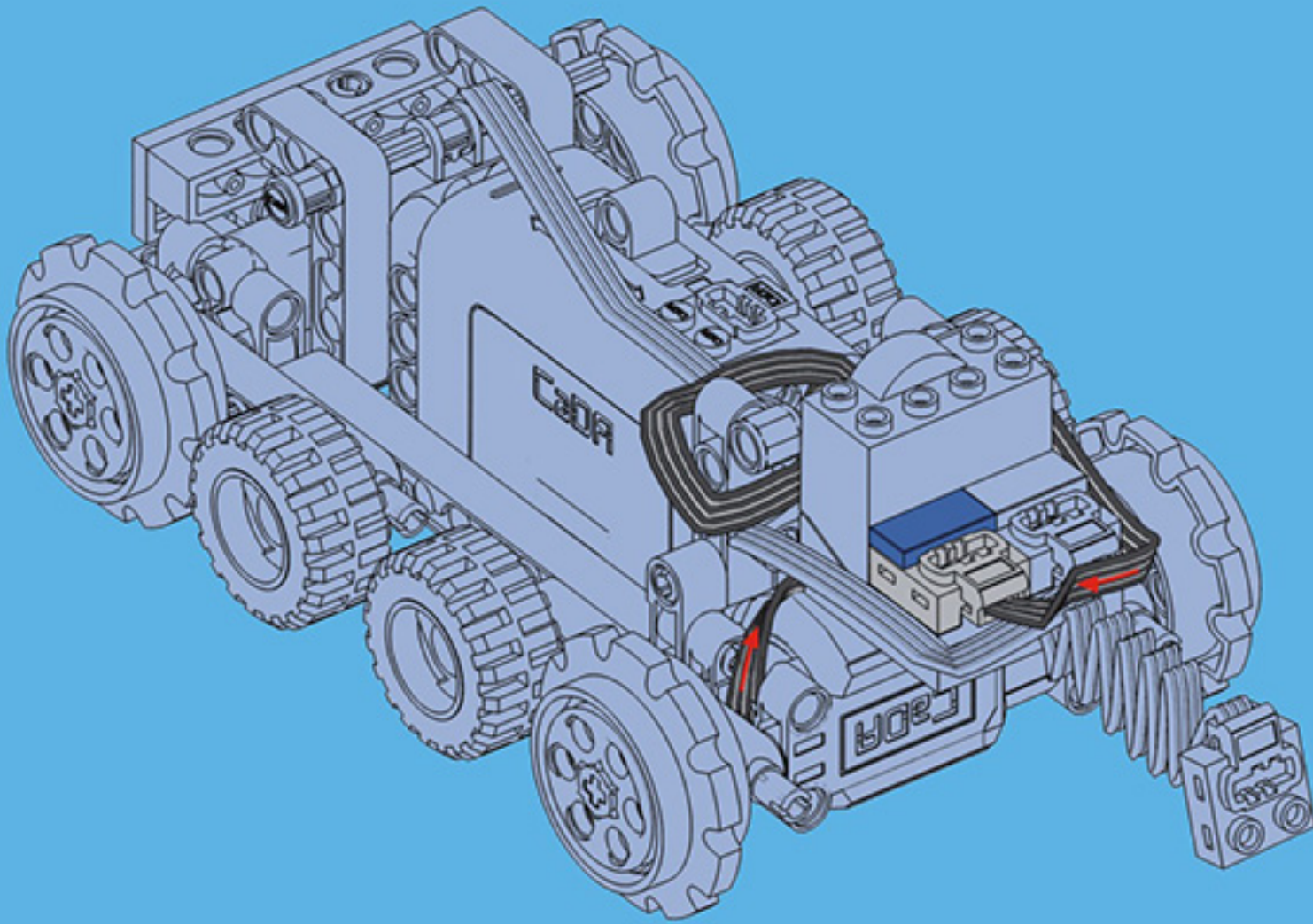


# A21



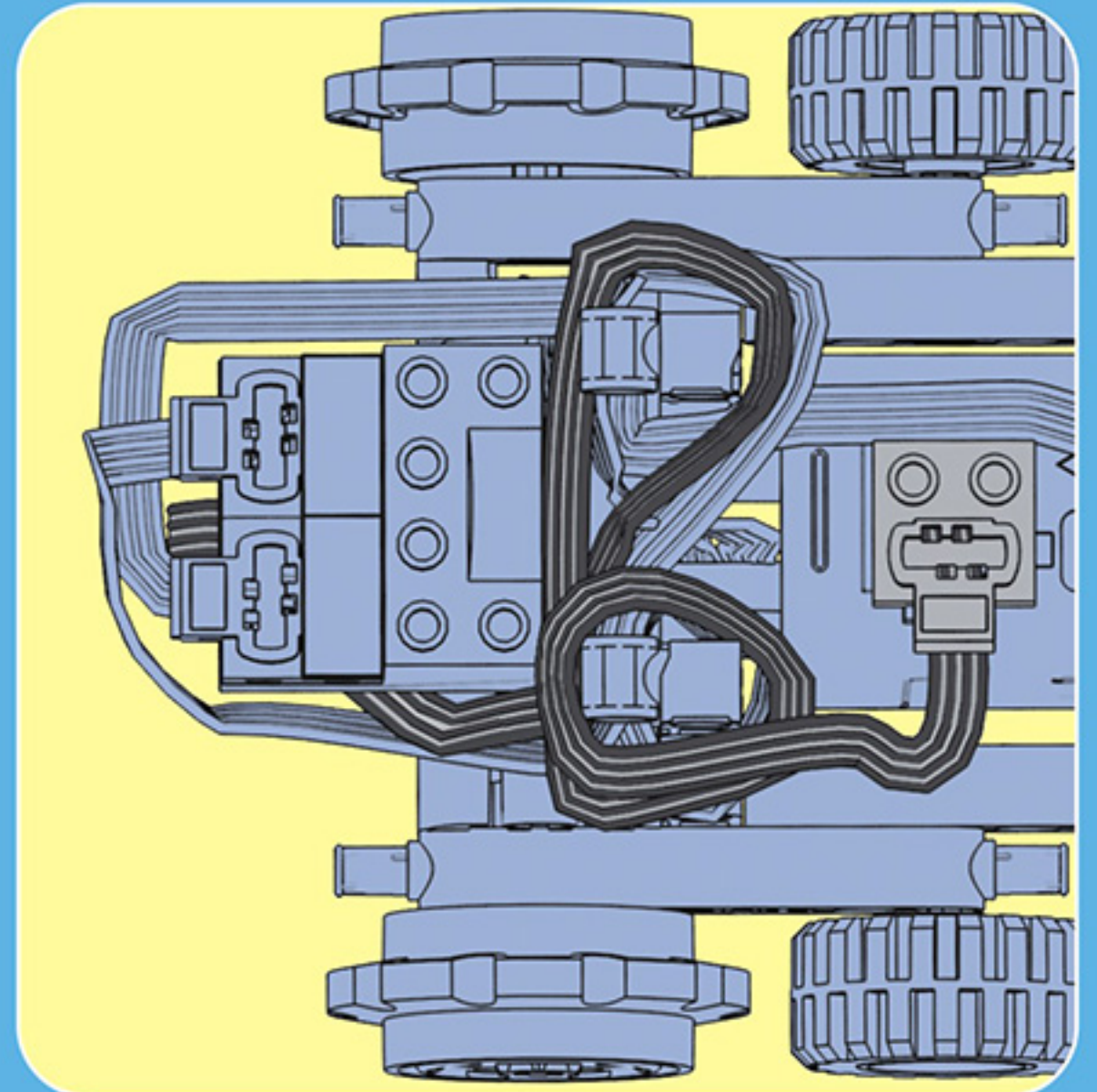
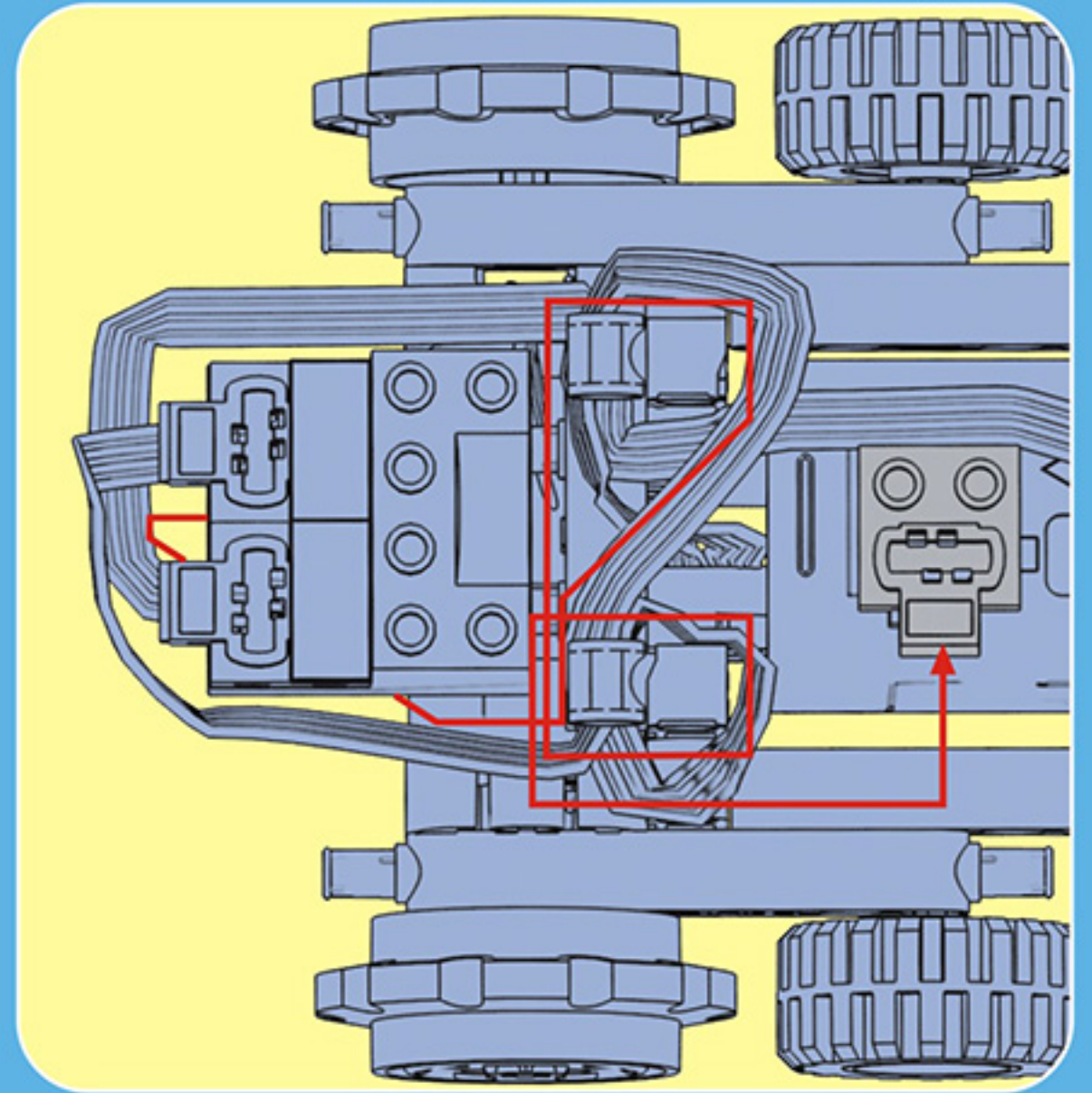
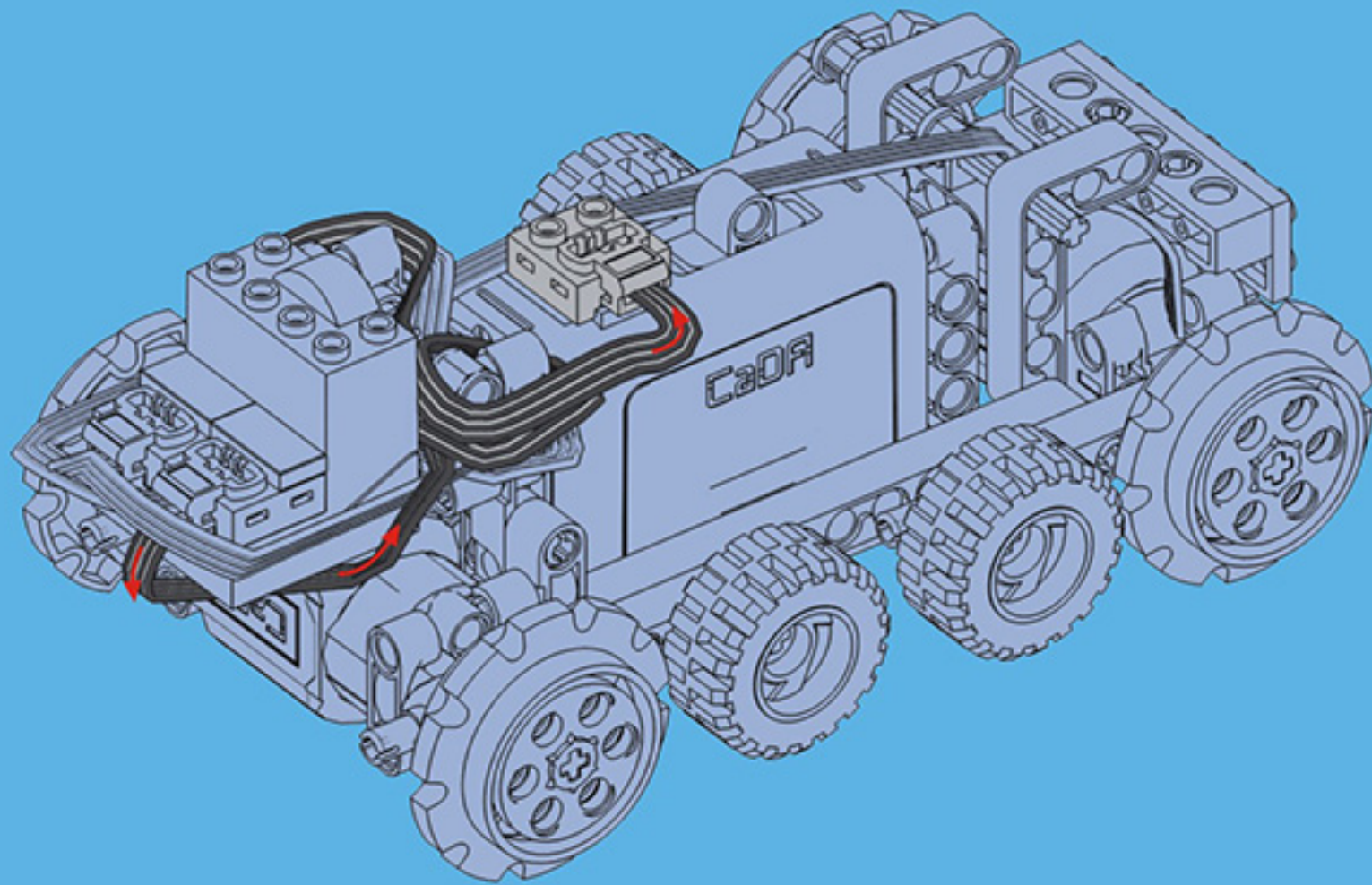


# A22



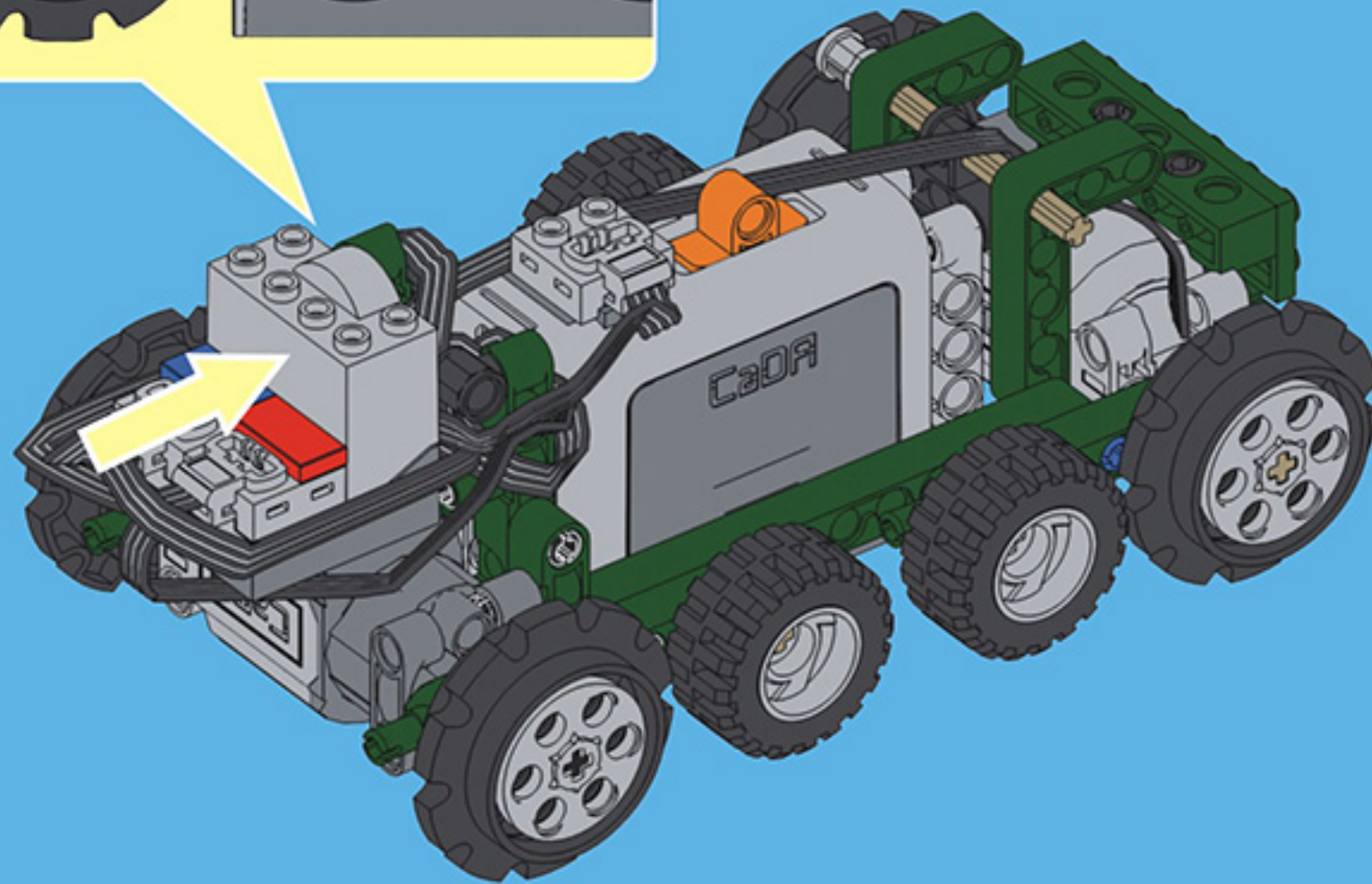
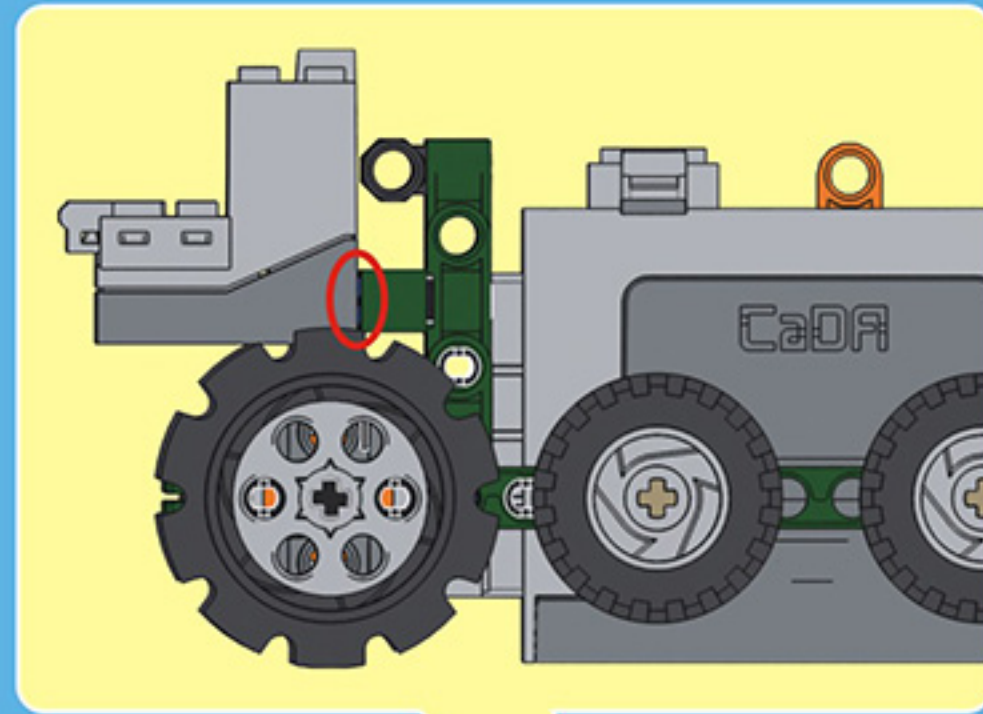


# A23

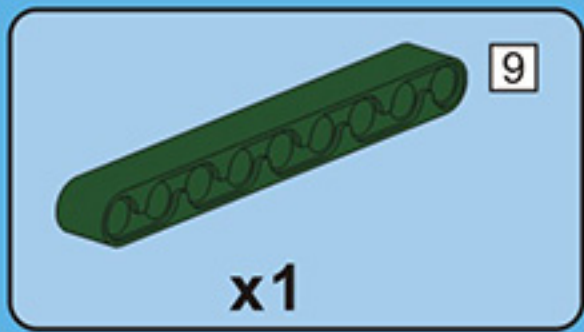




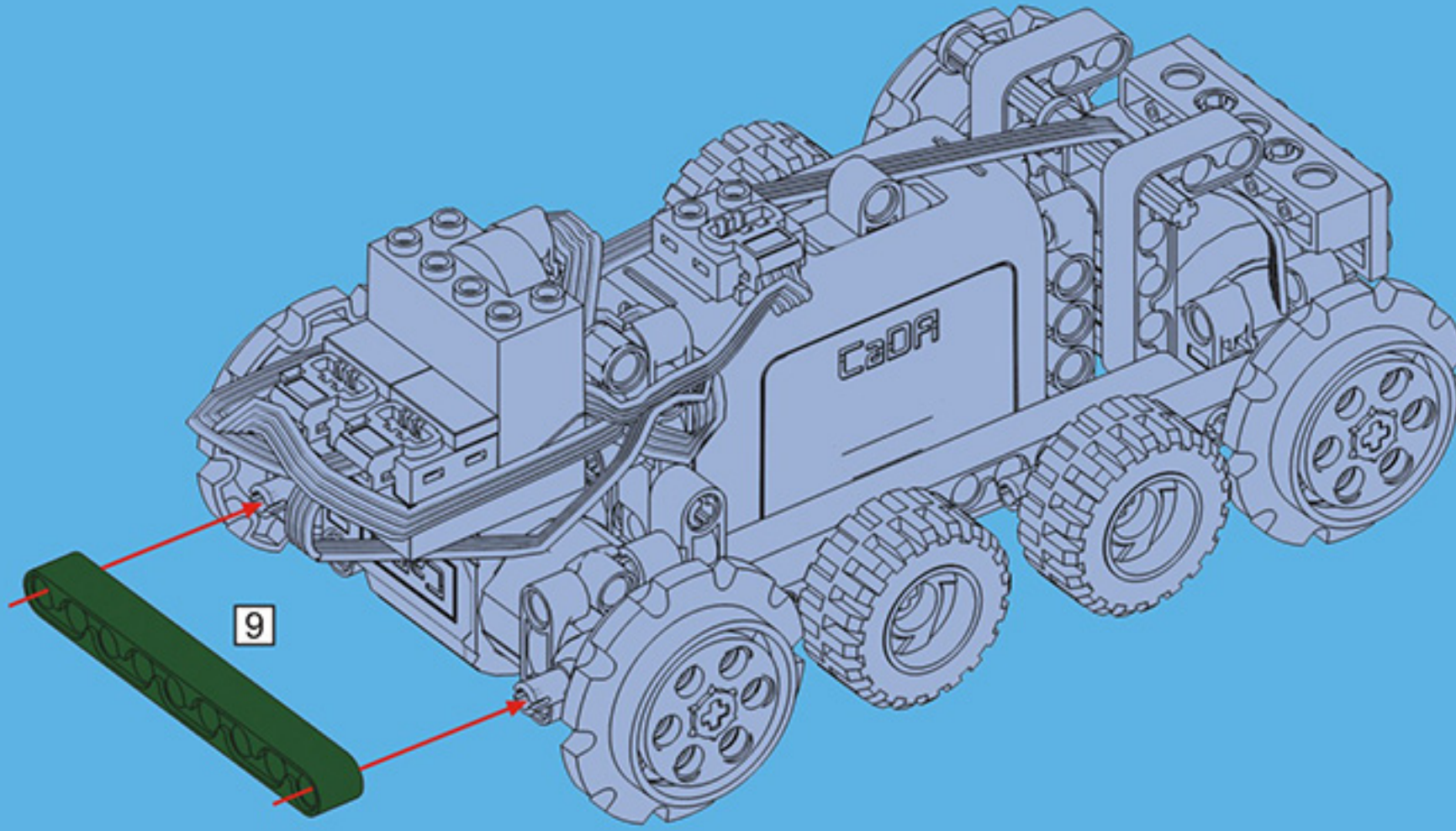
# A24



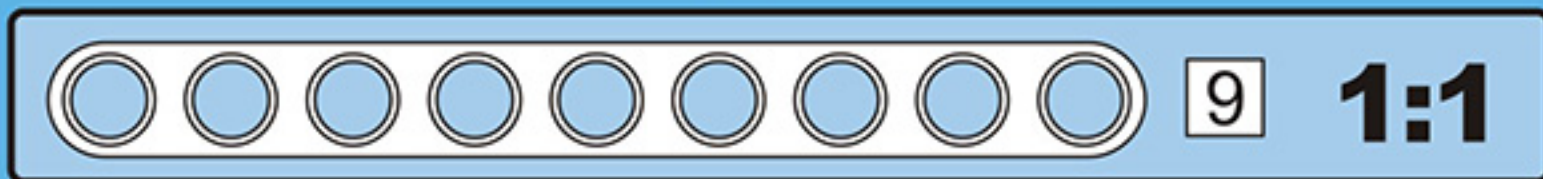
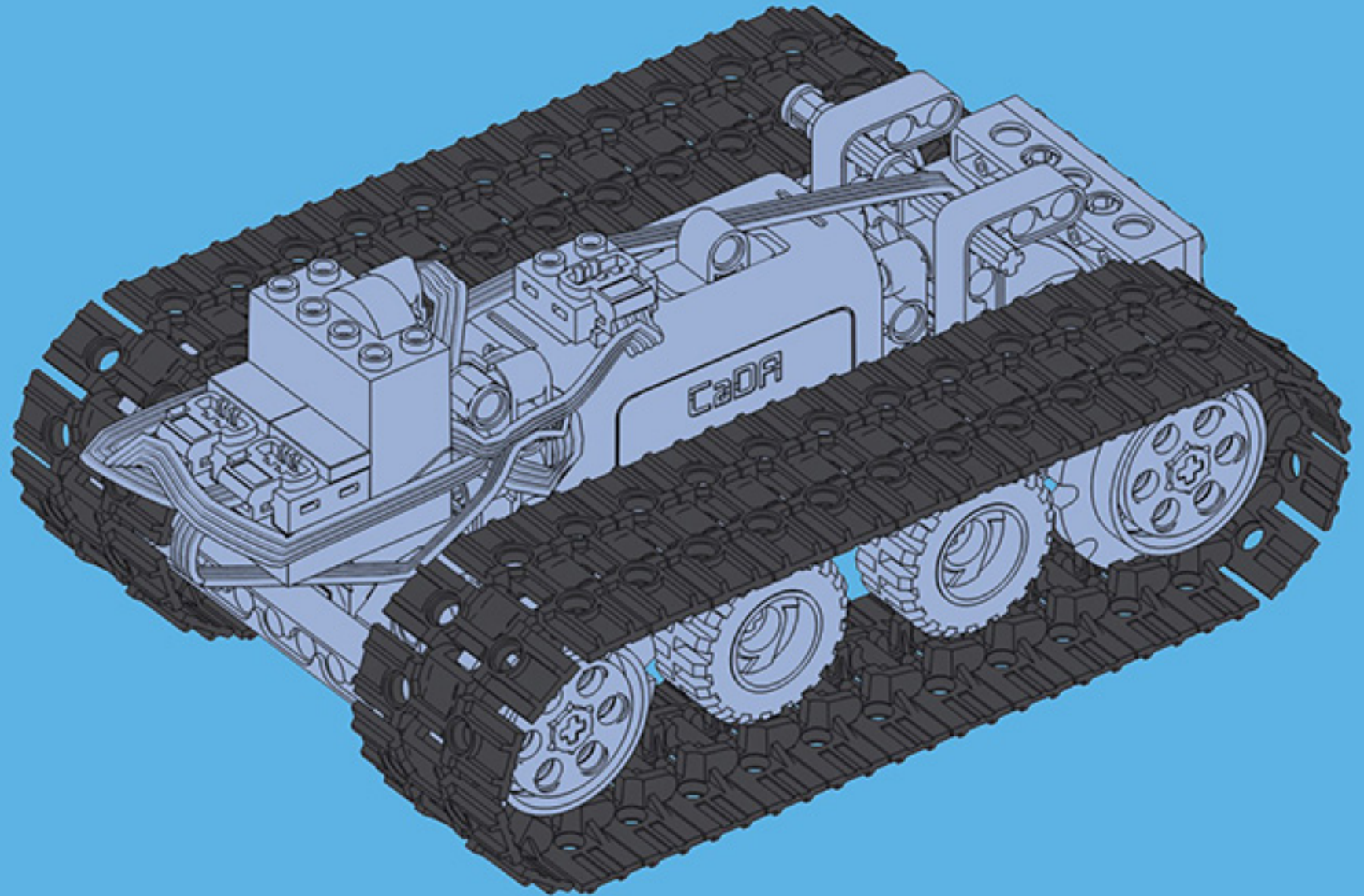
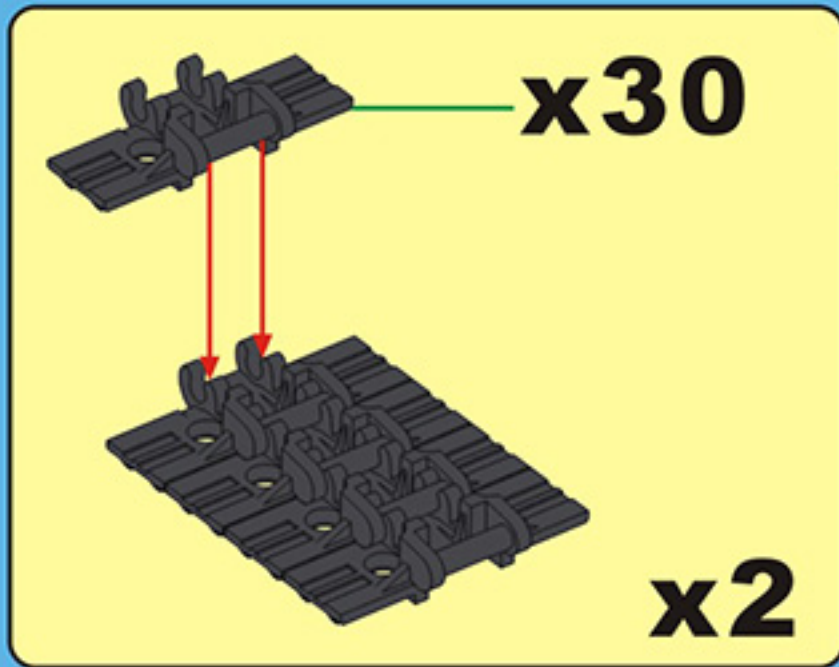




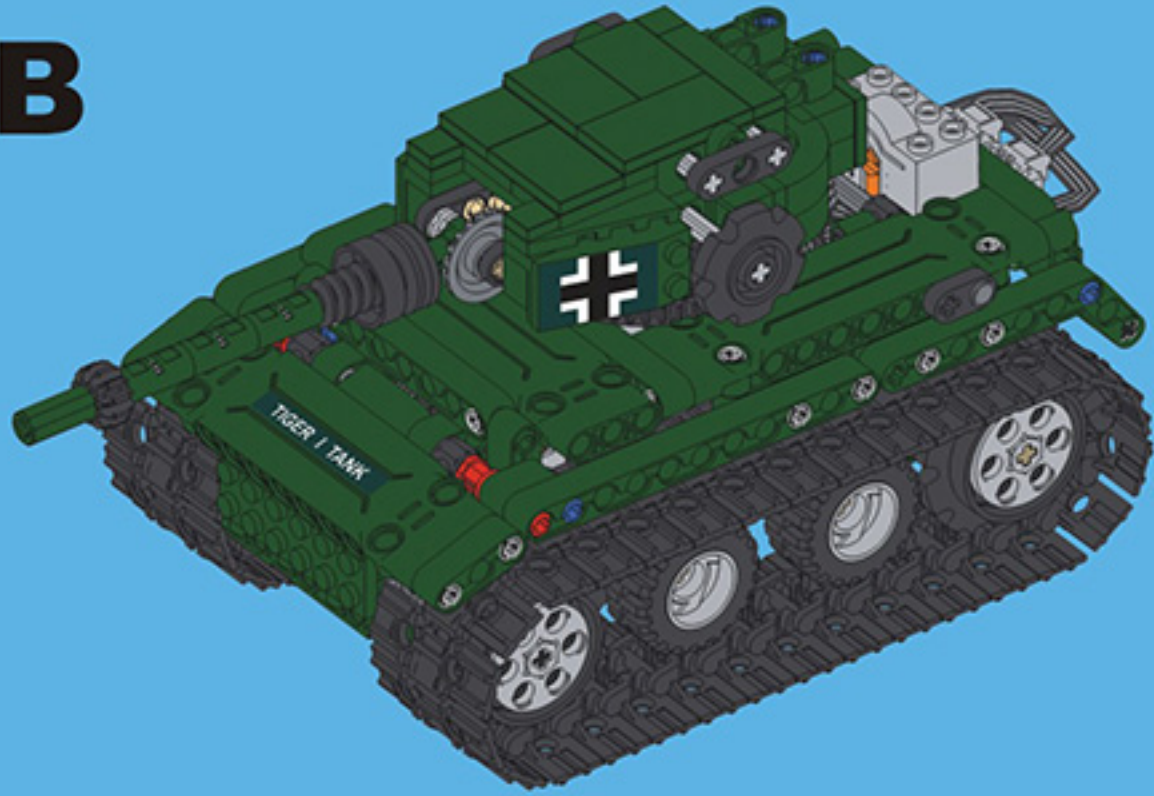
**A25**



**A26**





**B**

x2



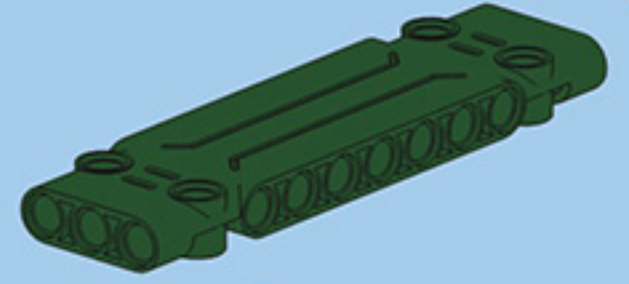
x6



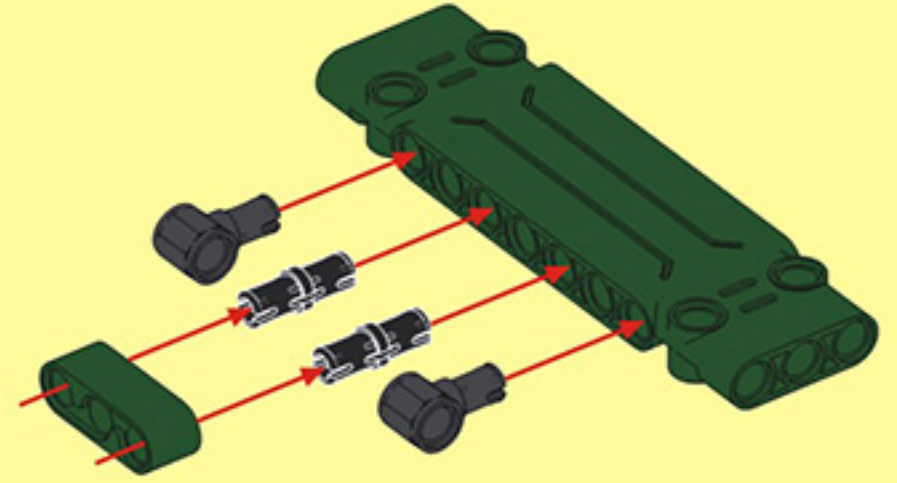
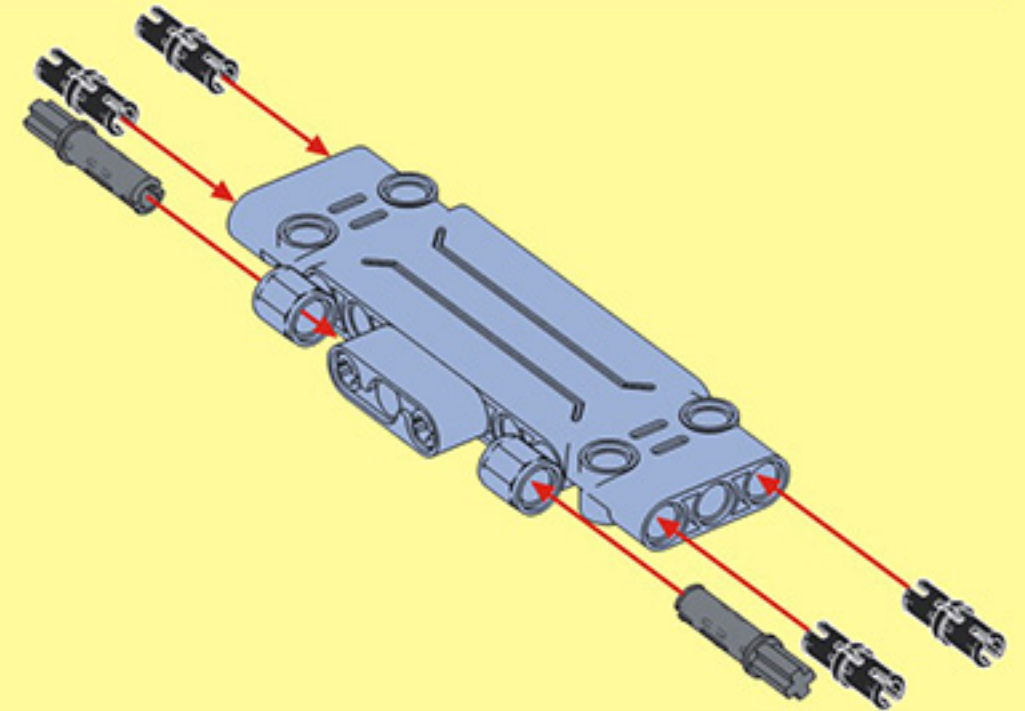
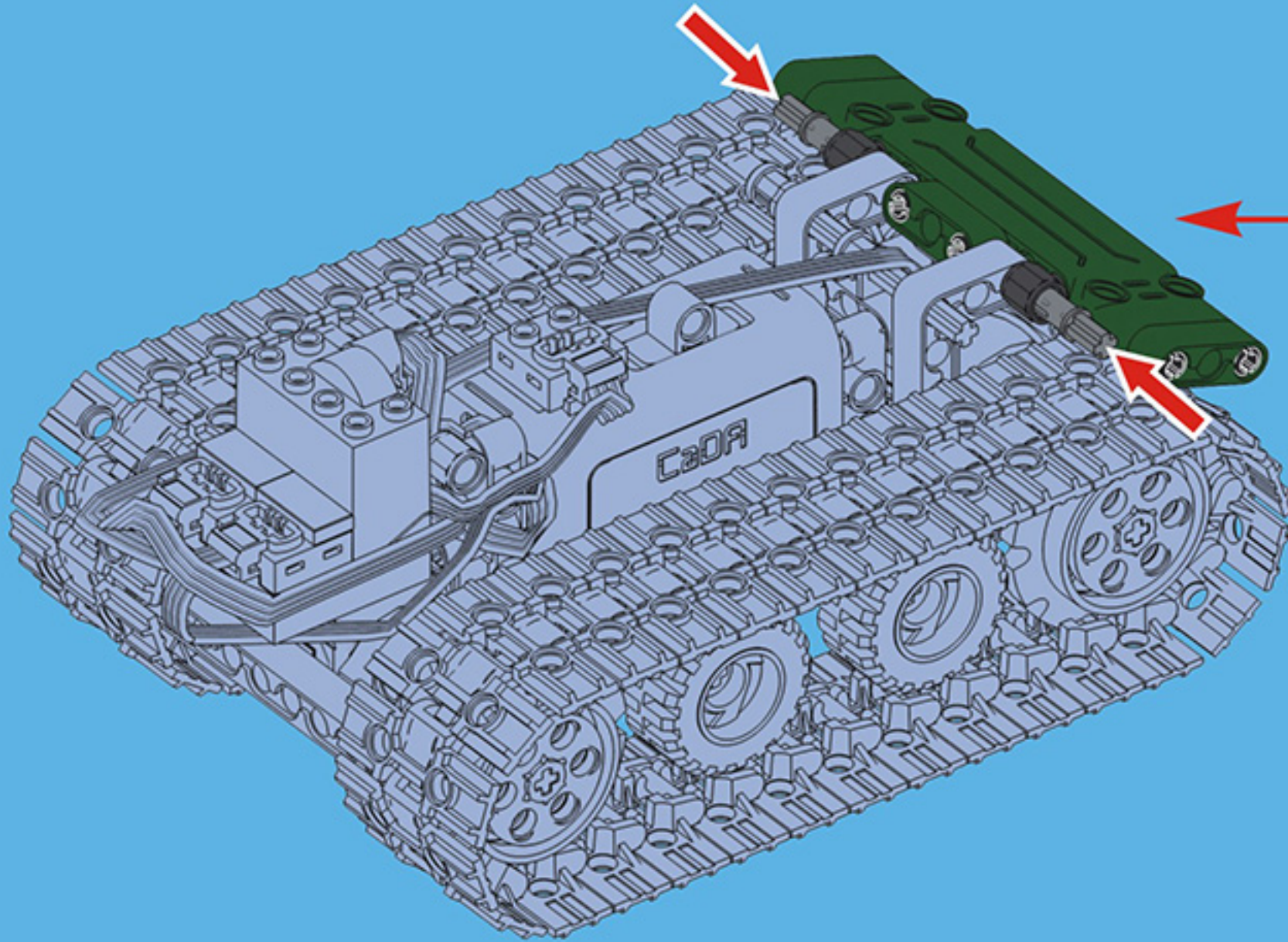
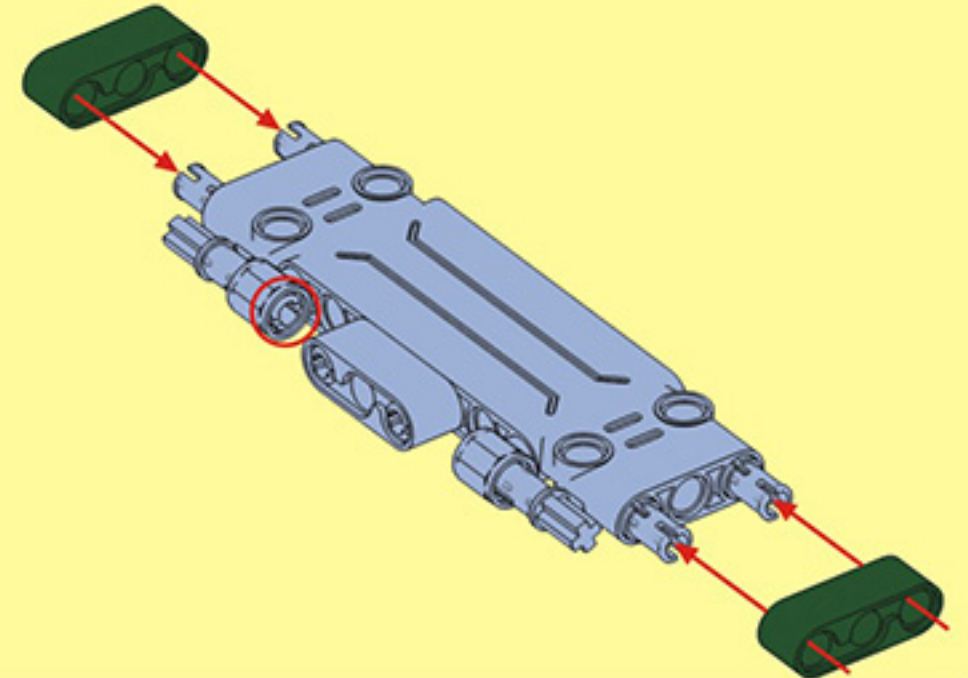
x2



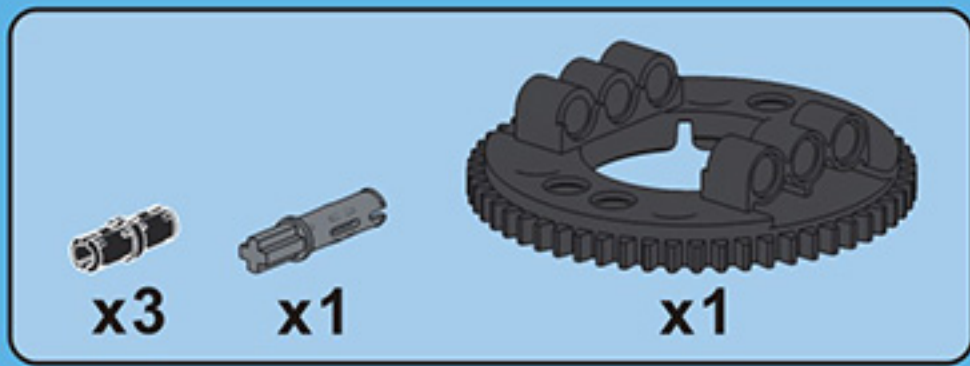
x3



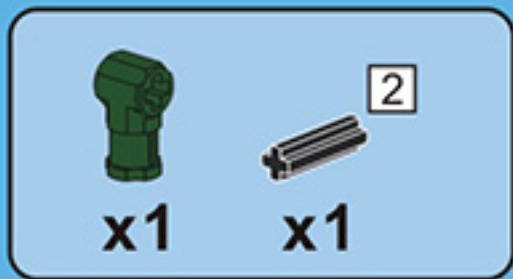
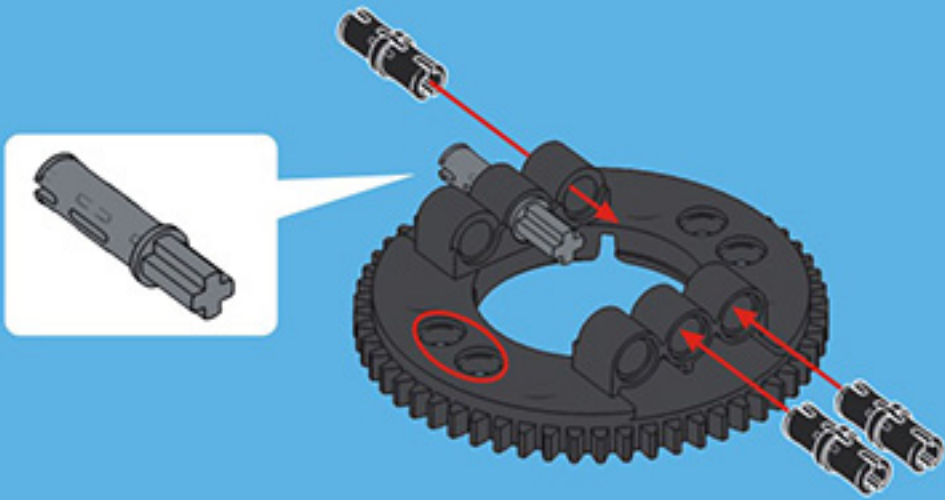
x1

**B1****1****2****3**

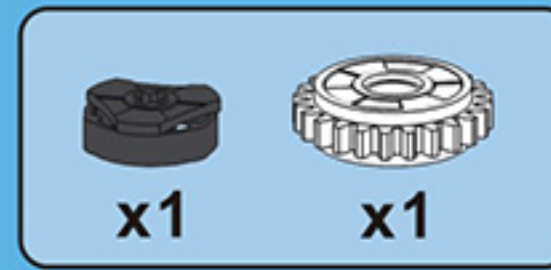
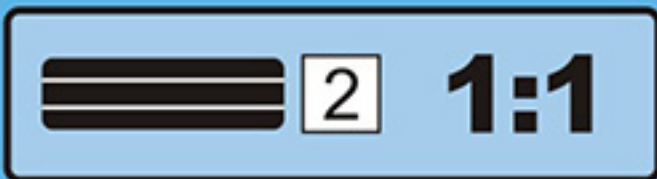
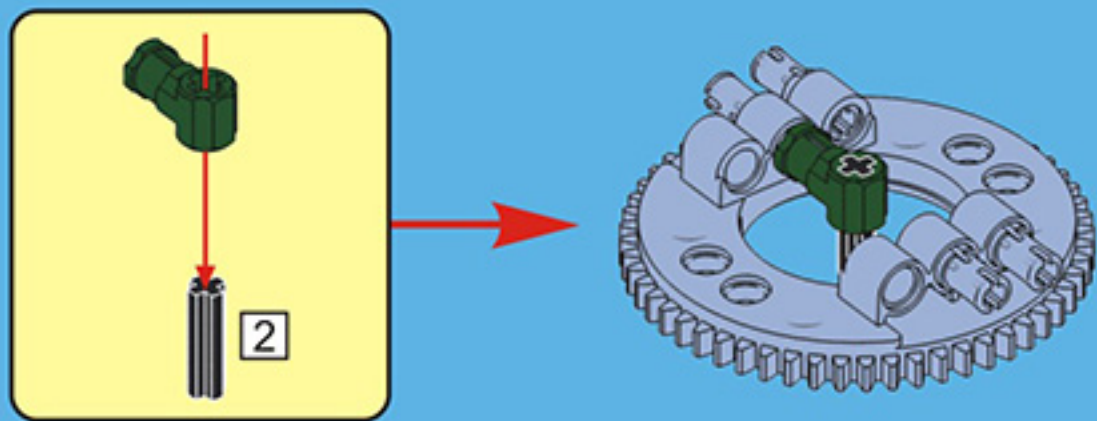




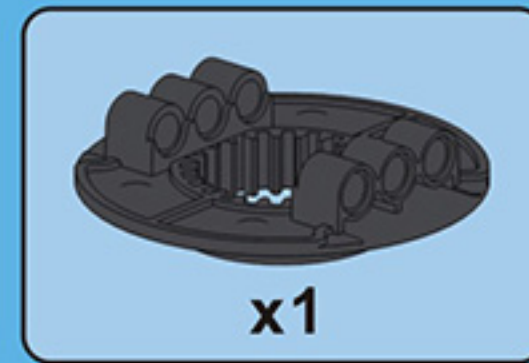
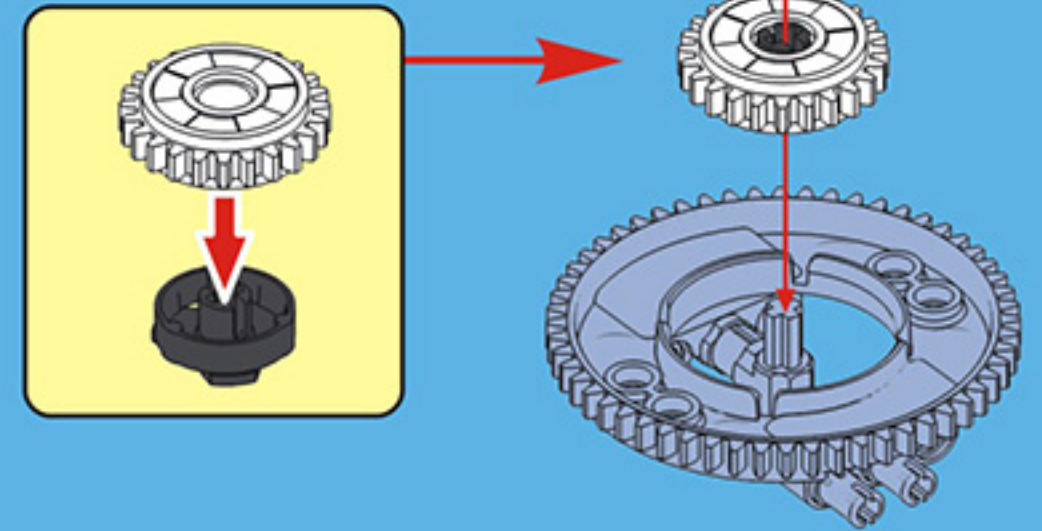
## B2



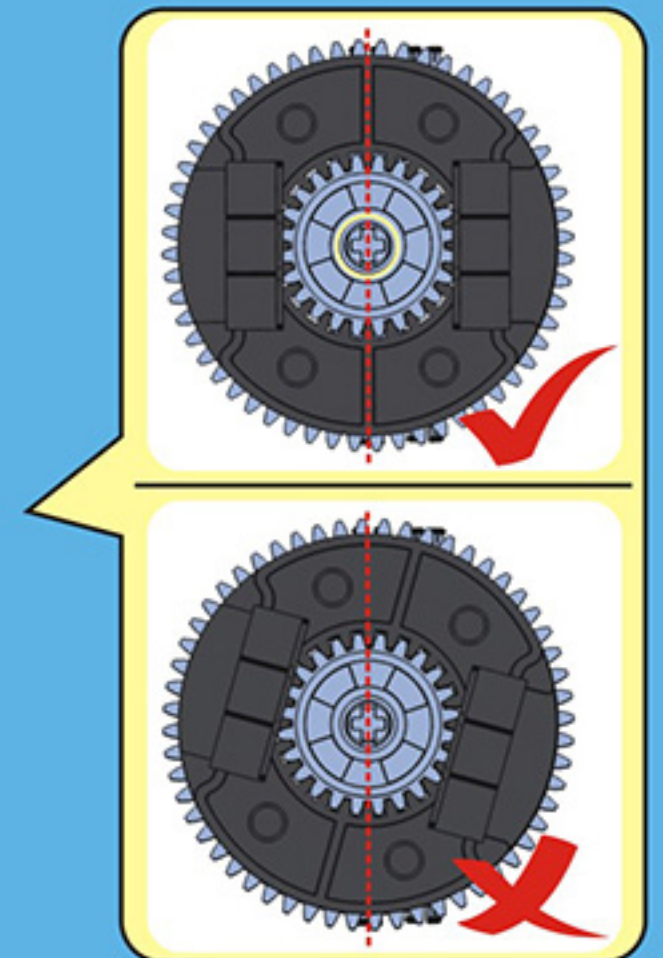
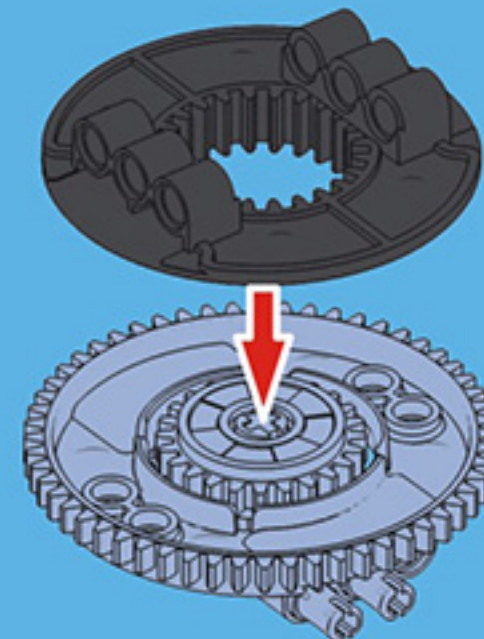
## B3



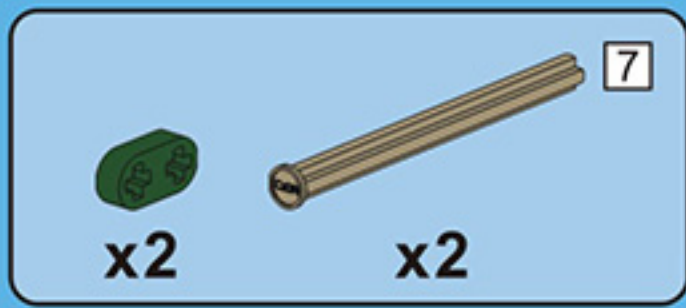
## B4



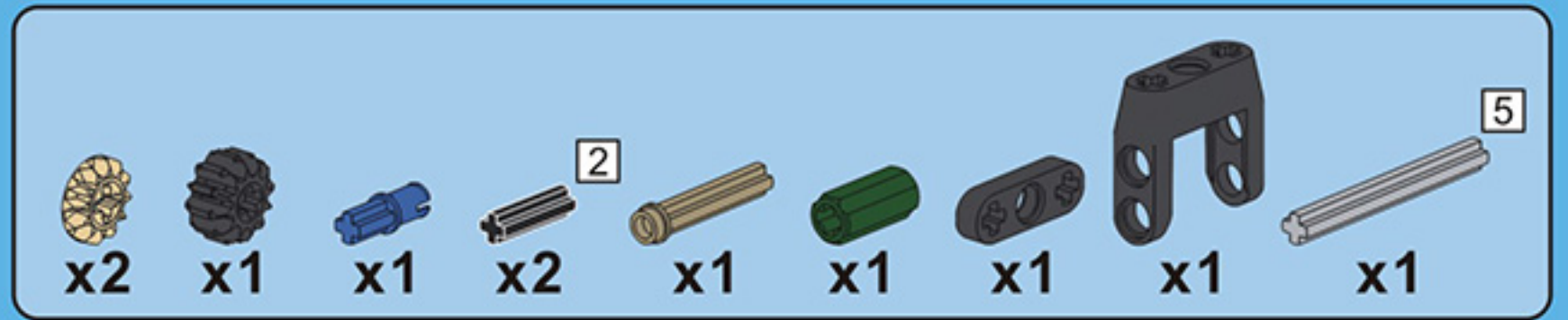
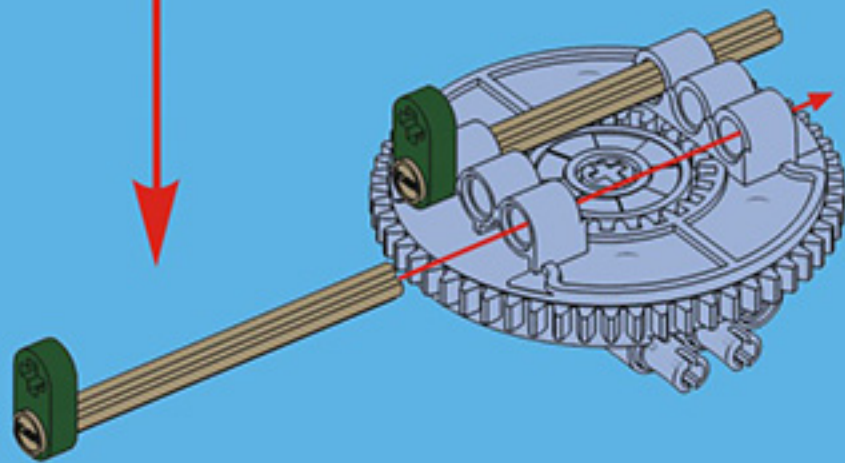
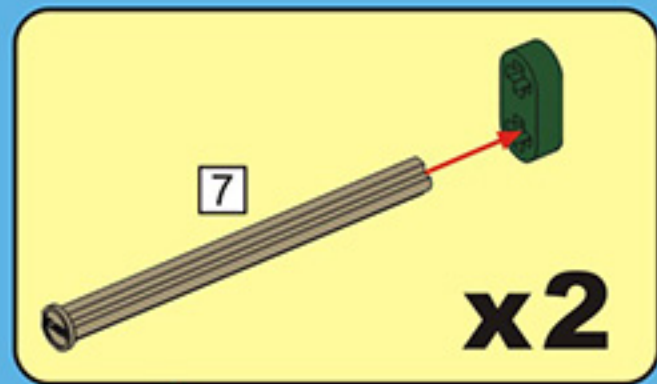
## B5



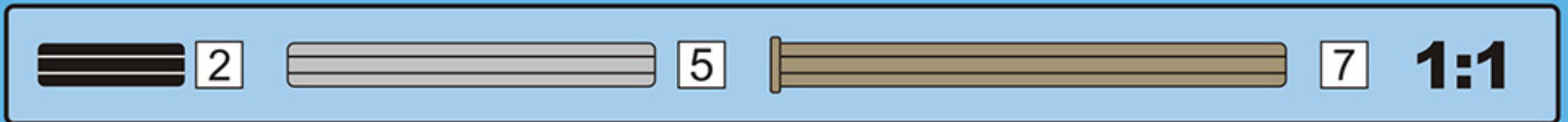
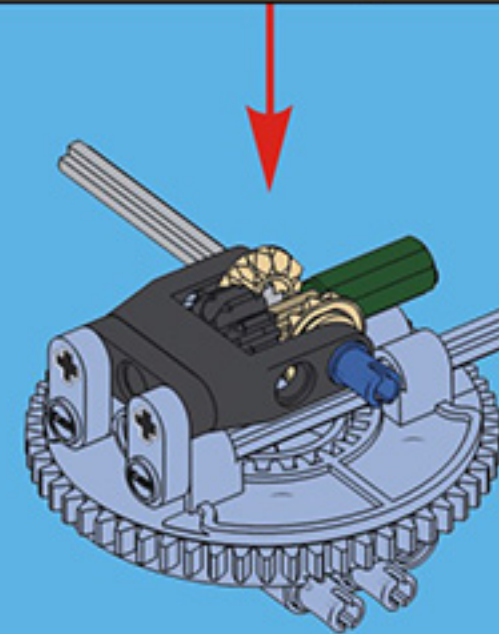
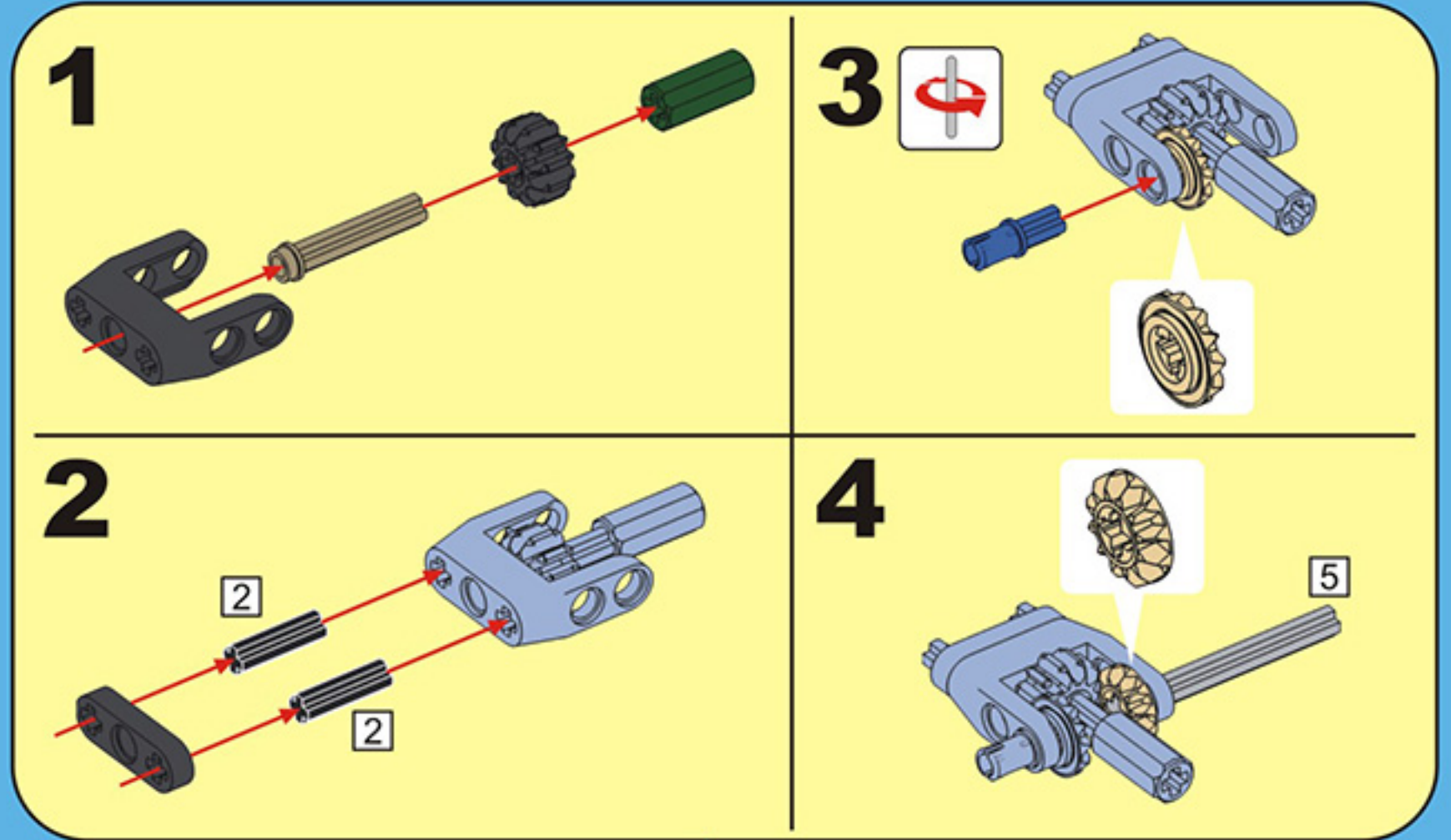




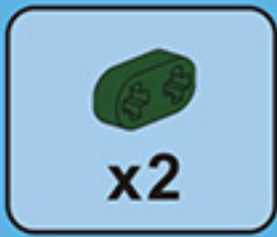
# B6



# B7

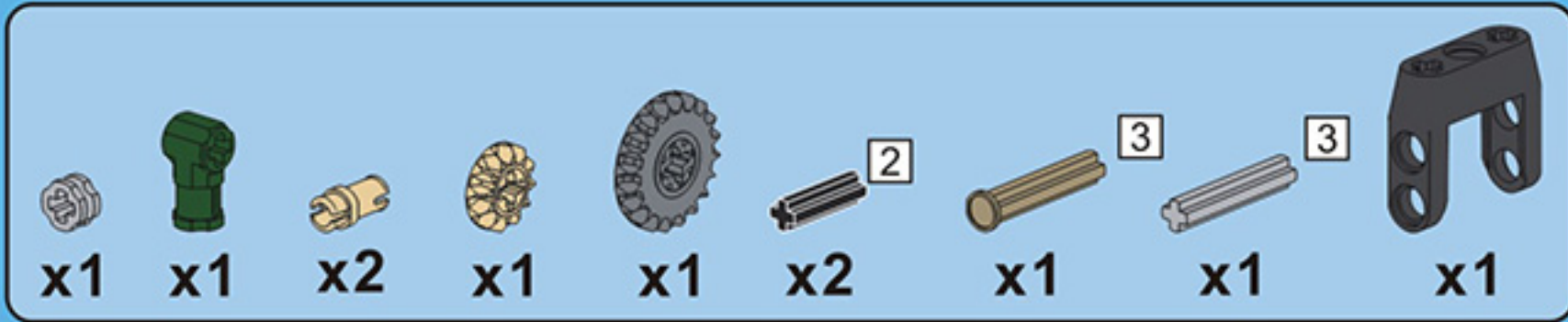
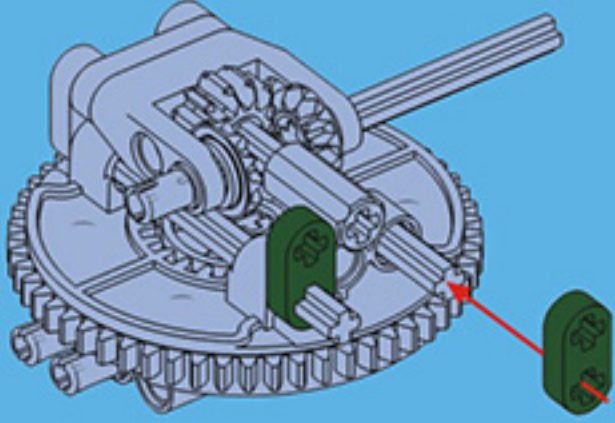






x2

# B8



x1

x1

x2

x1

x1

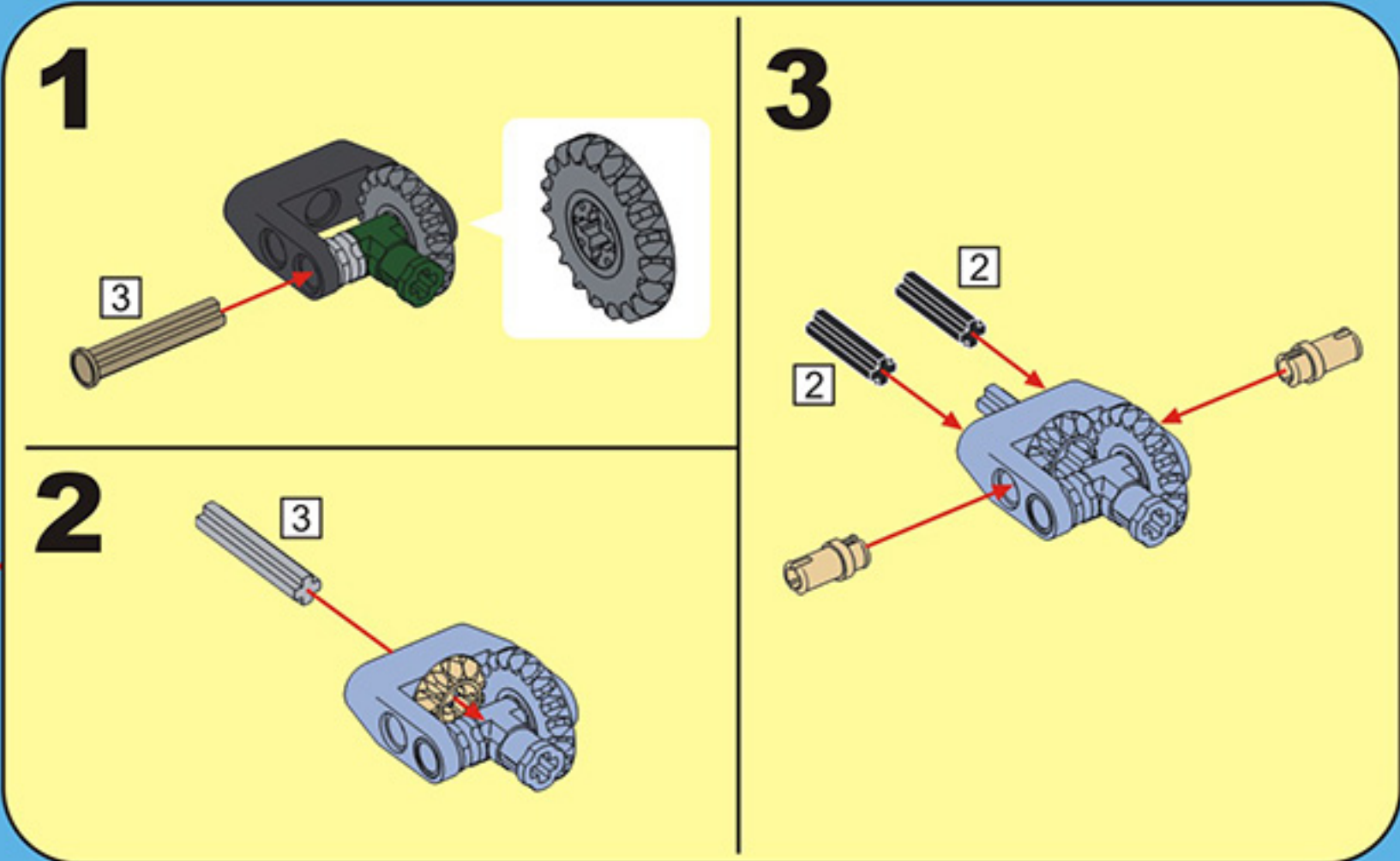
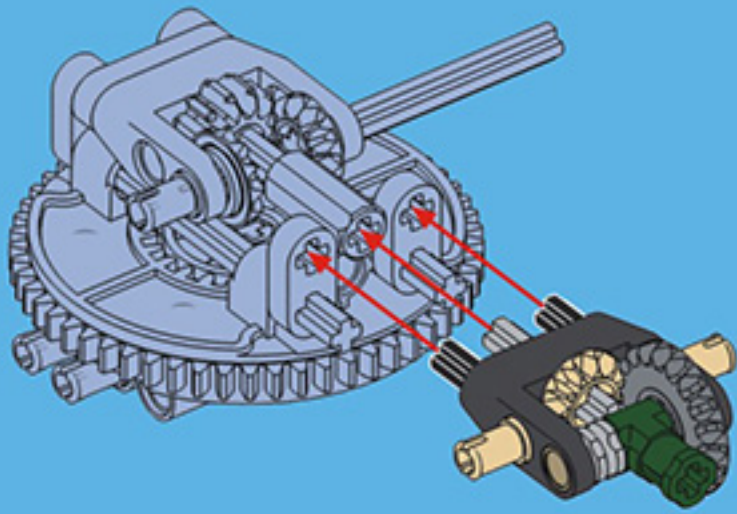
x2

x1

x1

x1

# B9



1

3

2



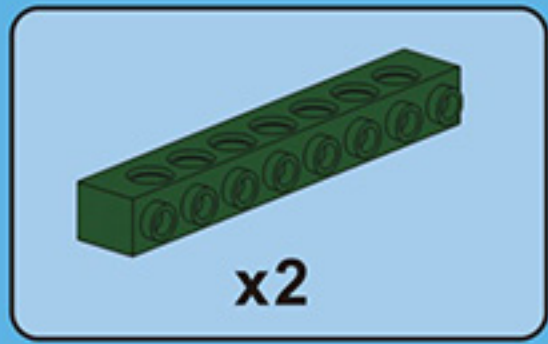
2

3

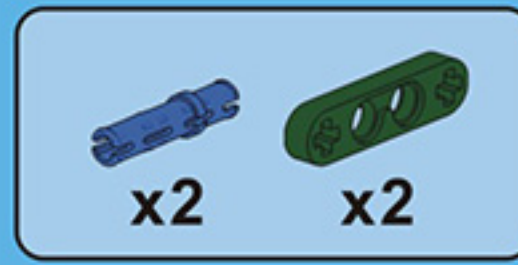
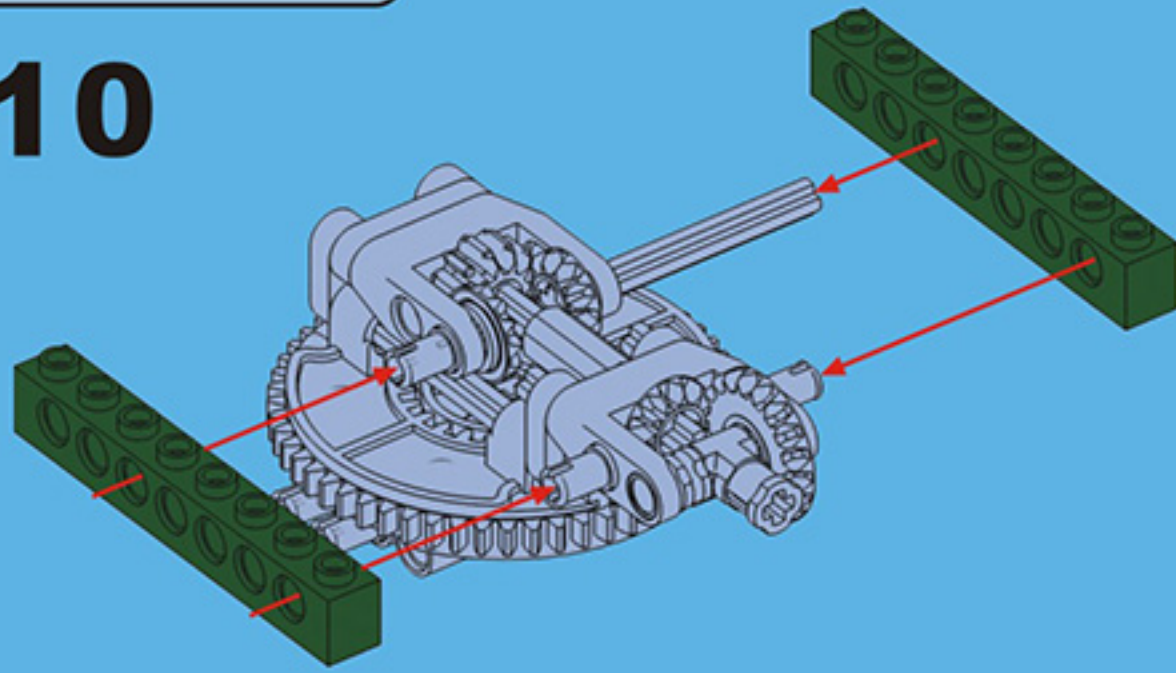
3

1:1

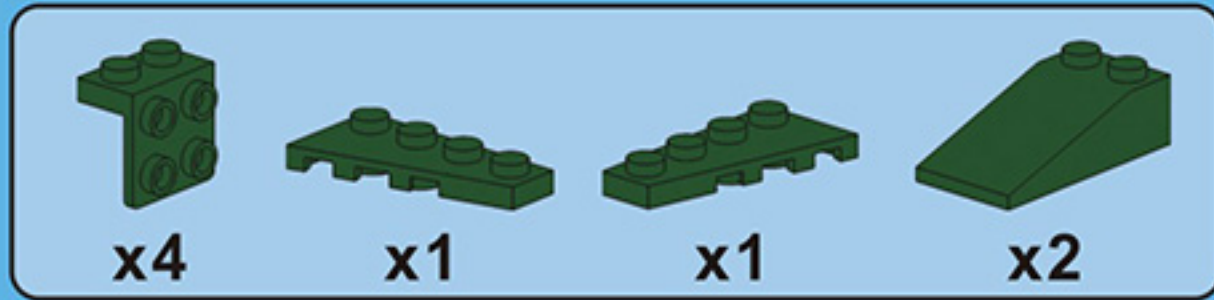
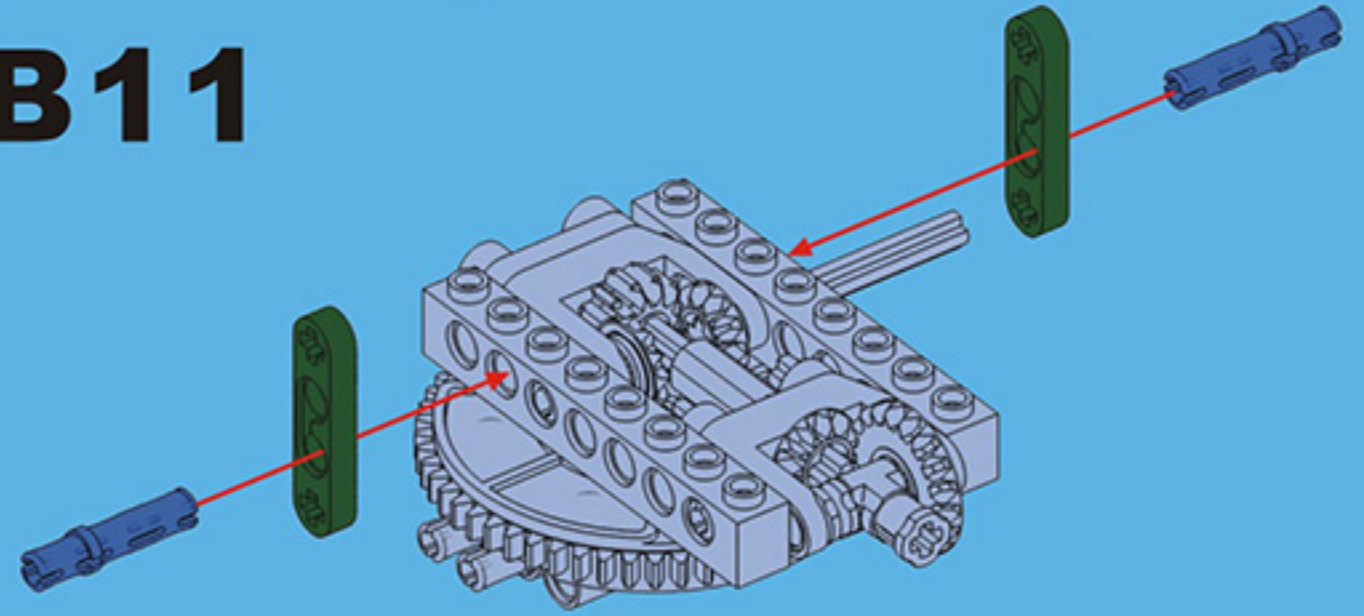




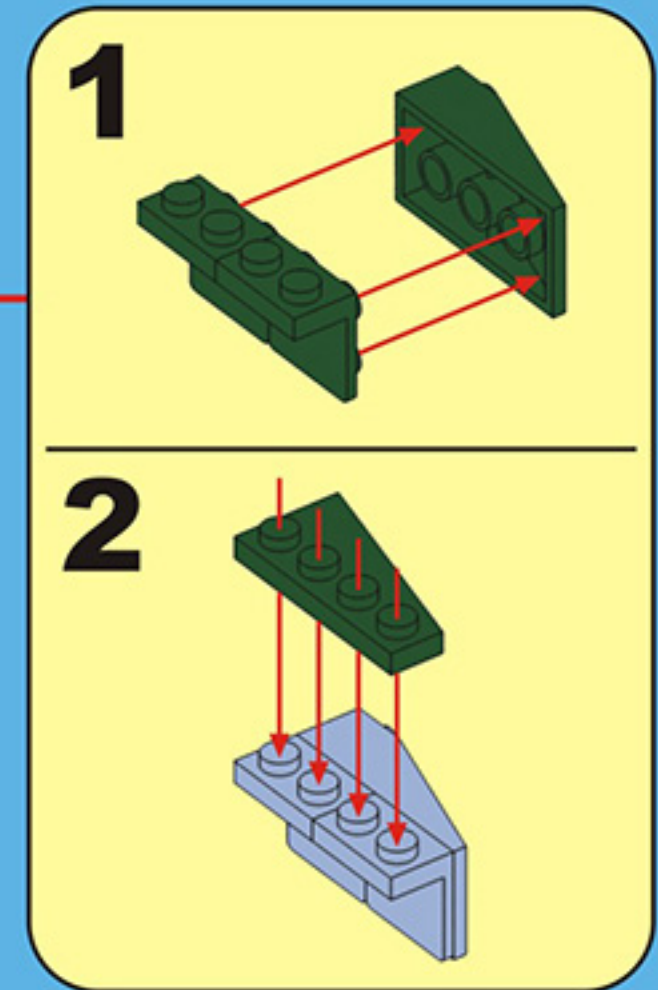
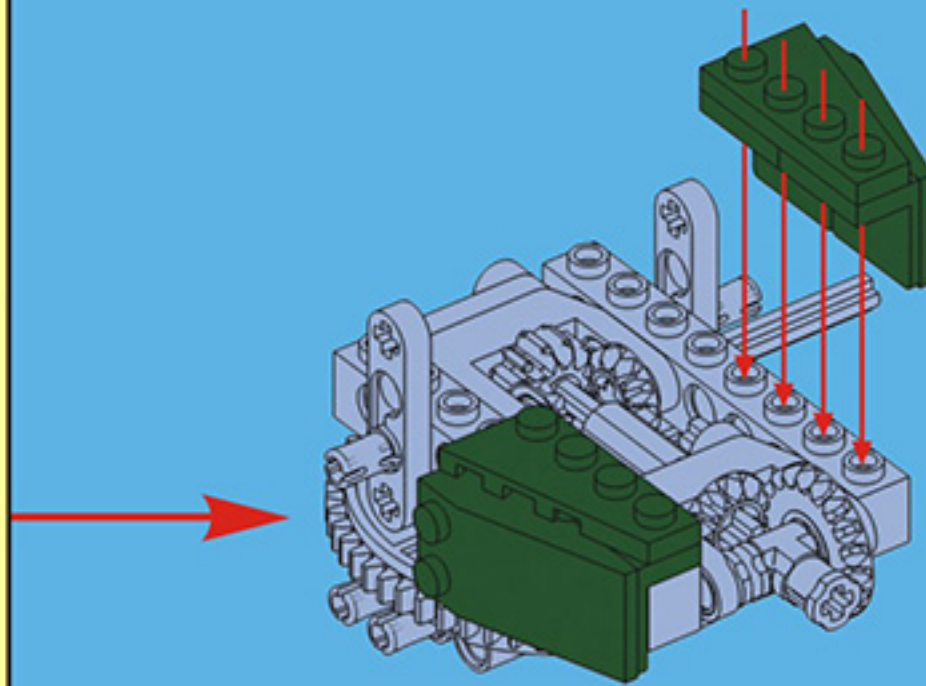
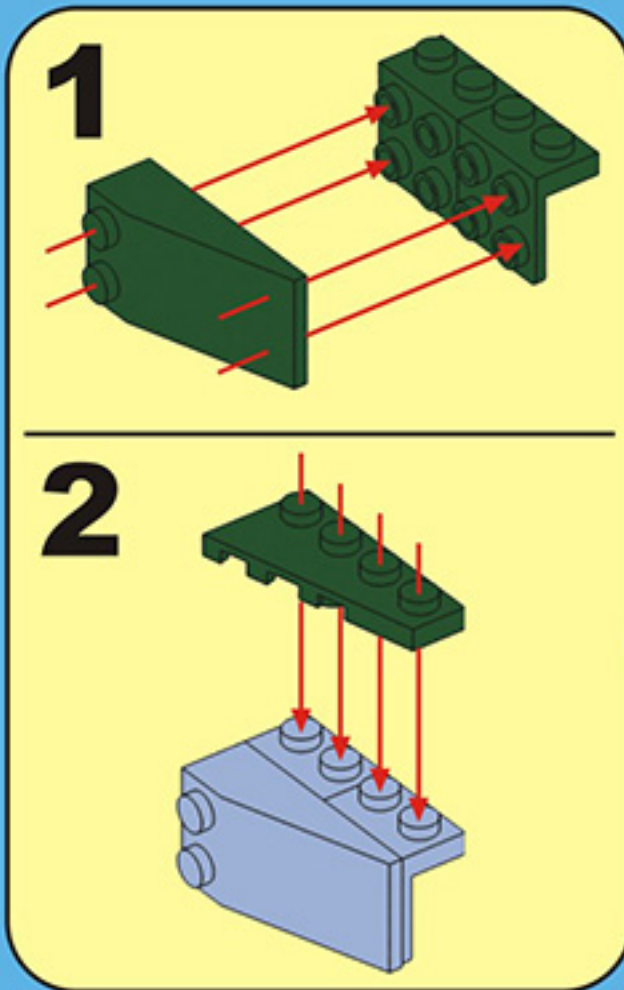
## B10



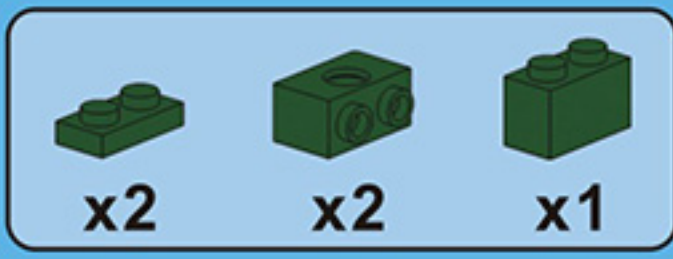
## B11



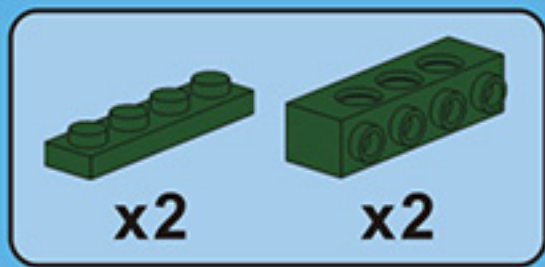
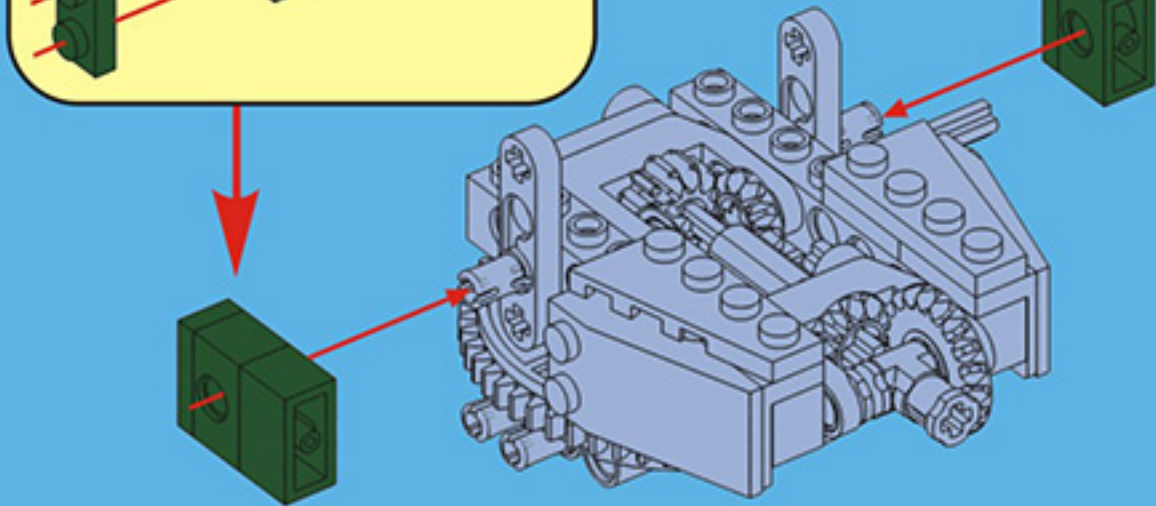
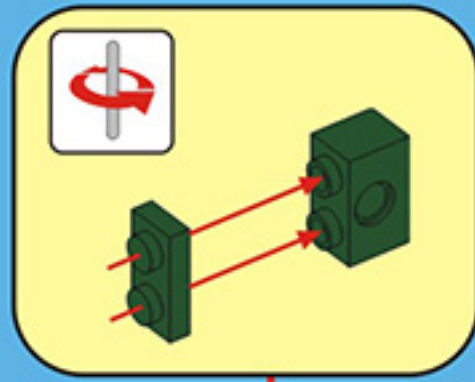
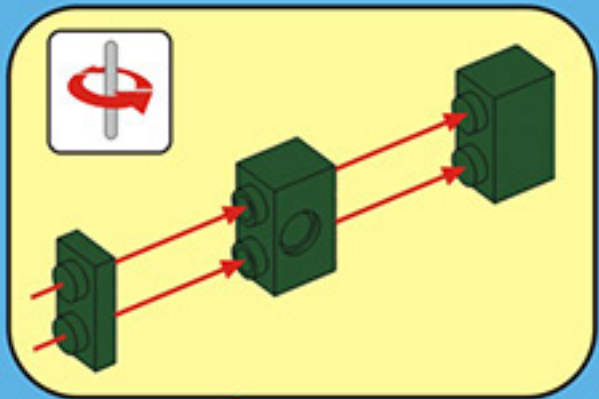
## B12



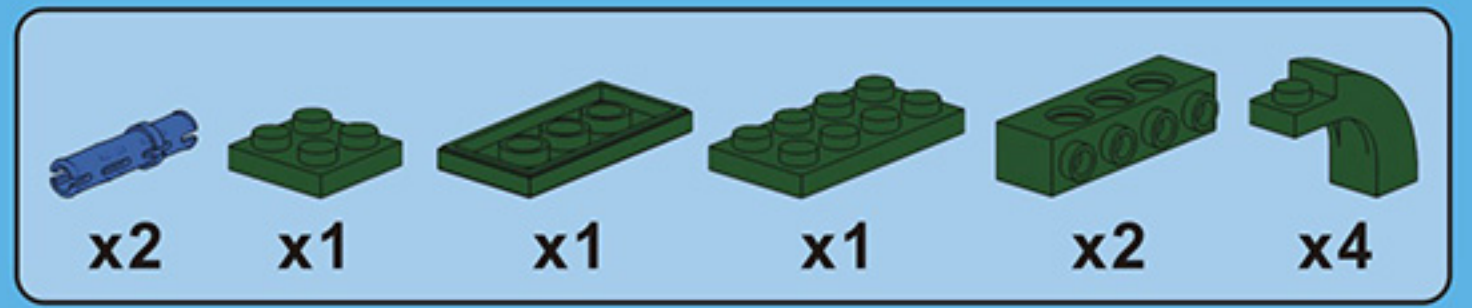
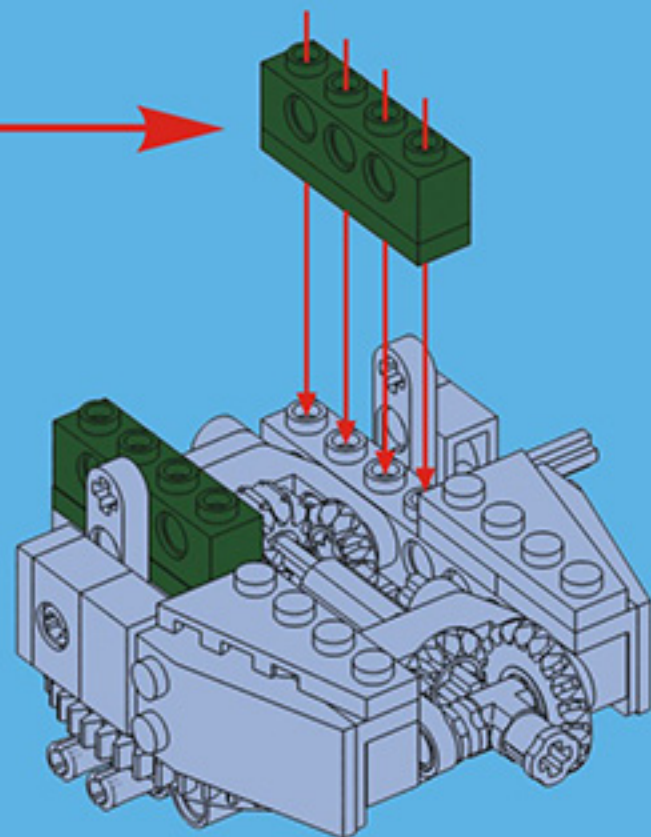
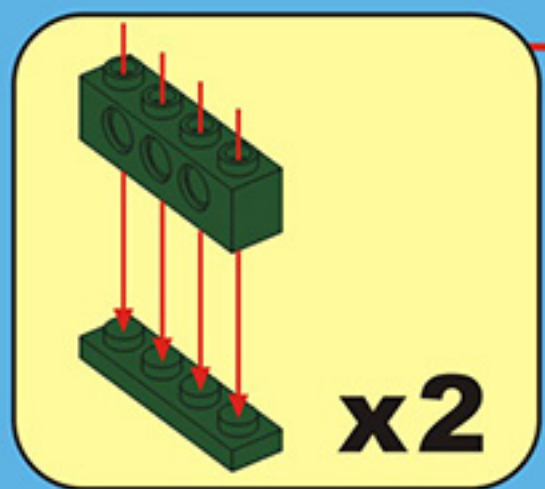




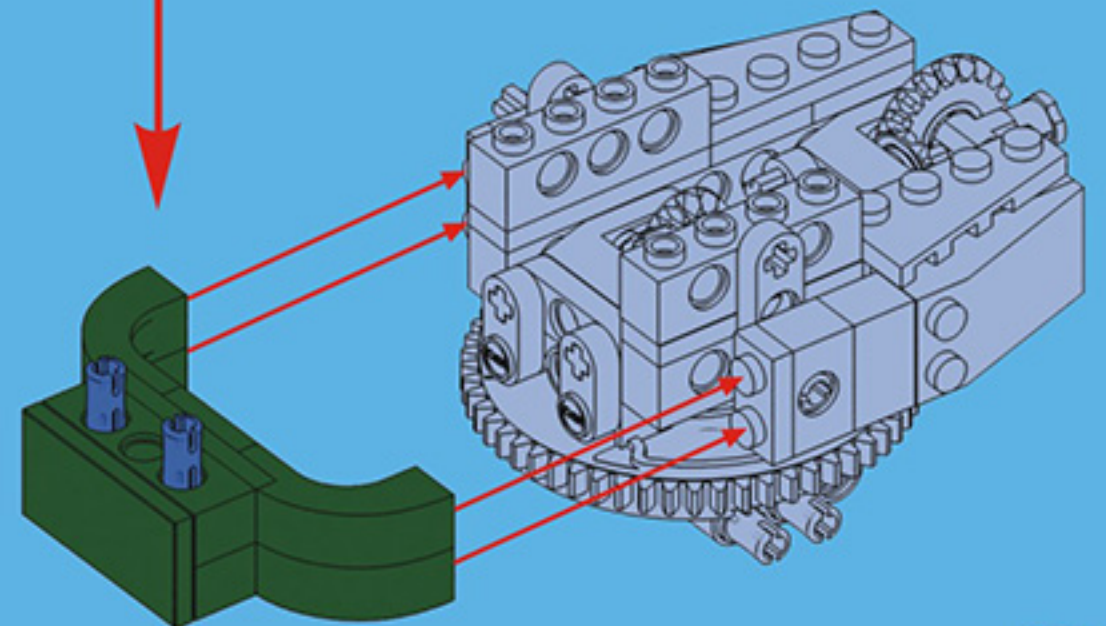
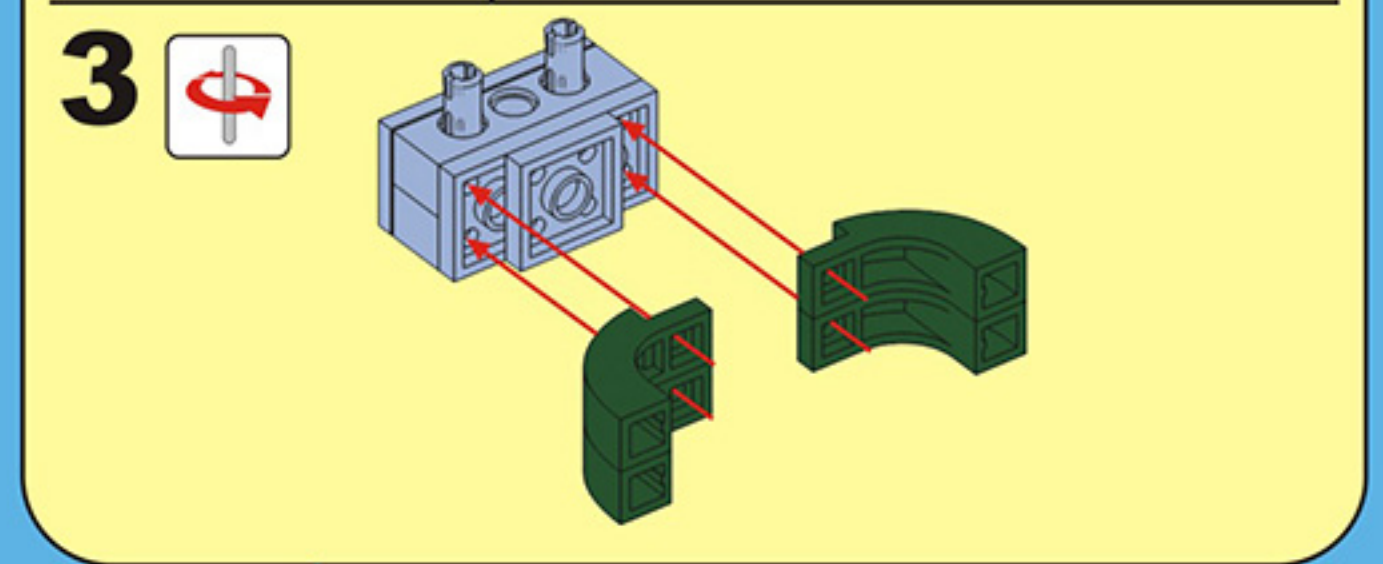
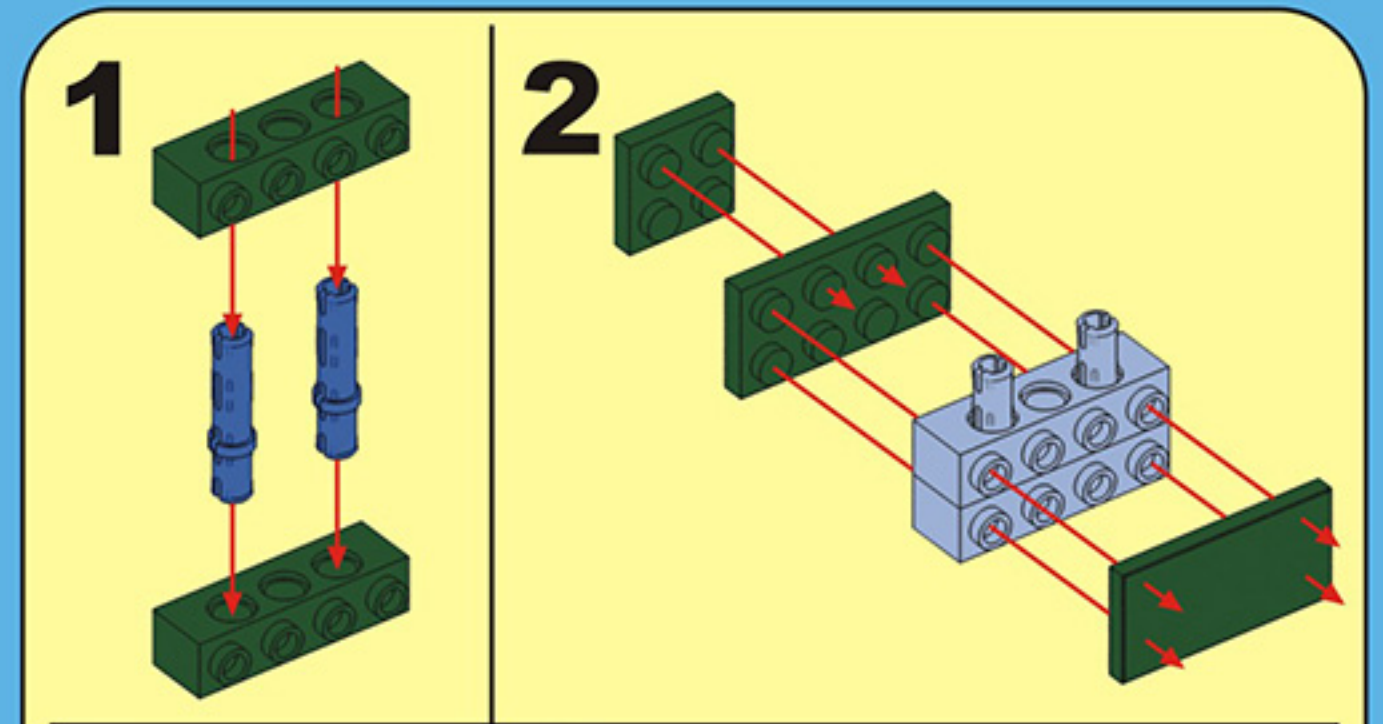
# B13



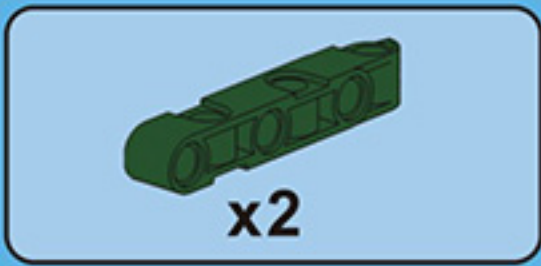
# B14



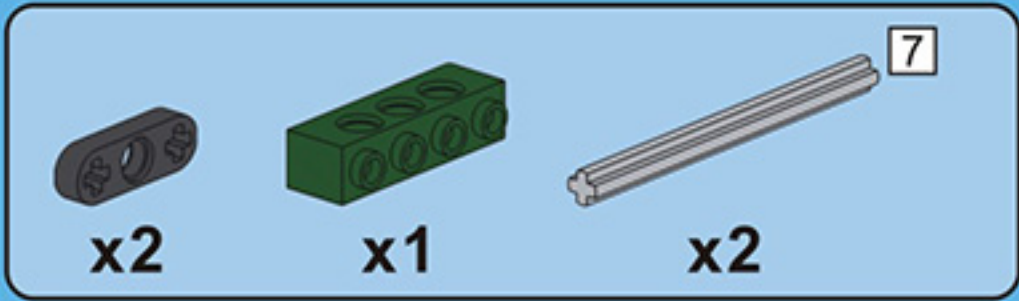
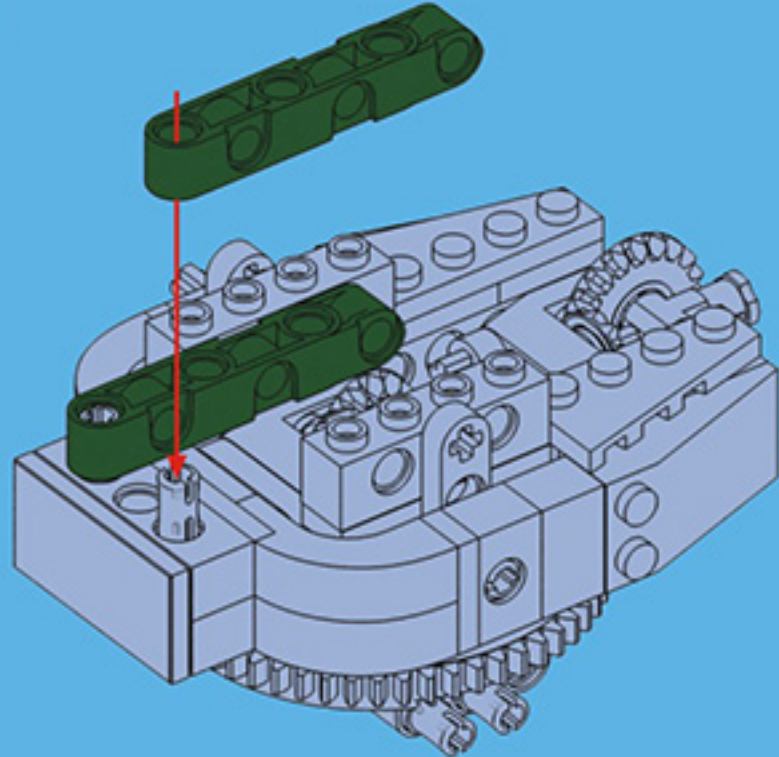
# B15



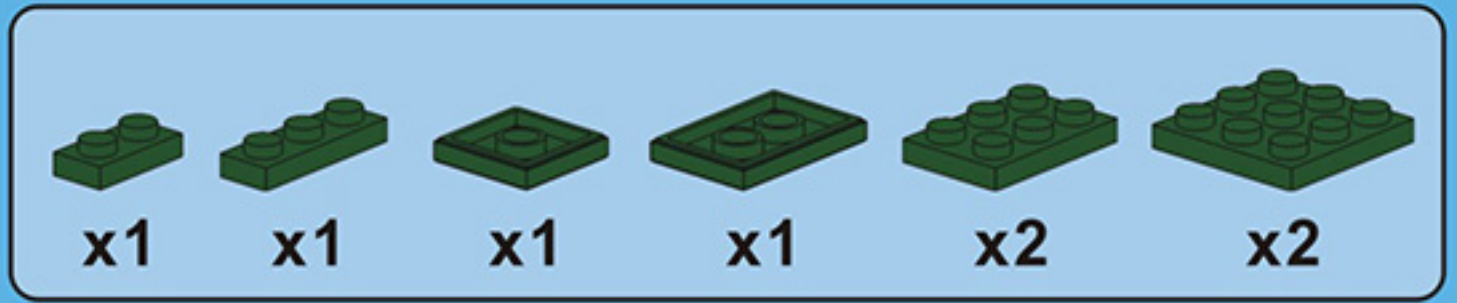
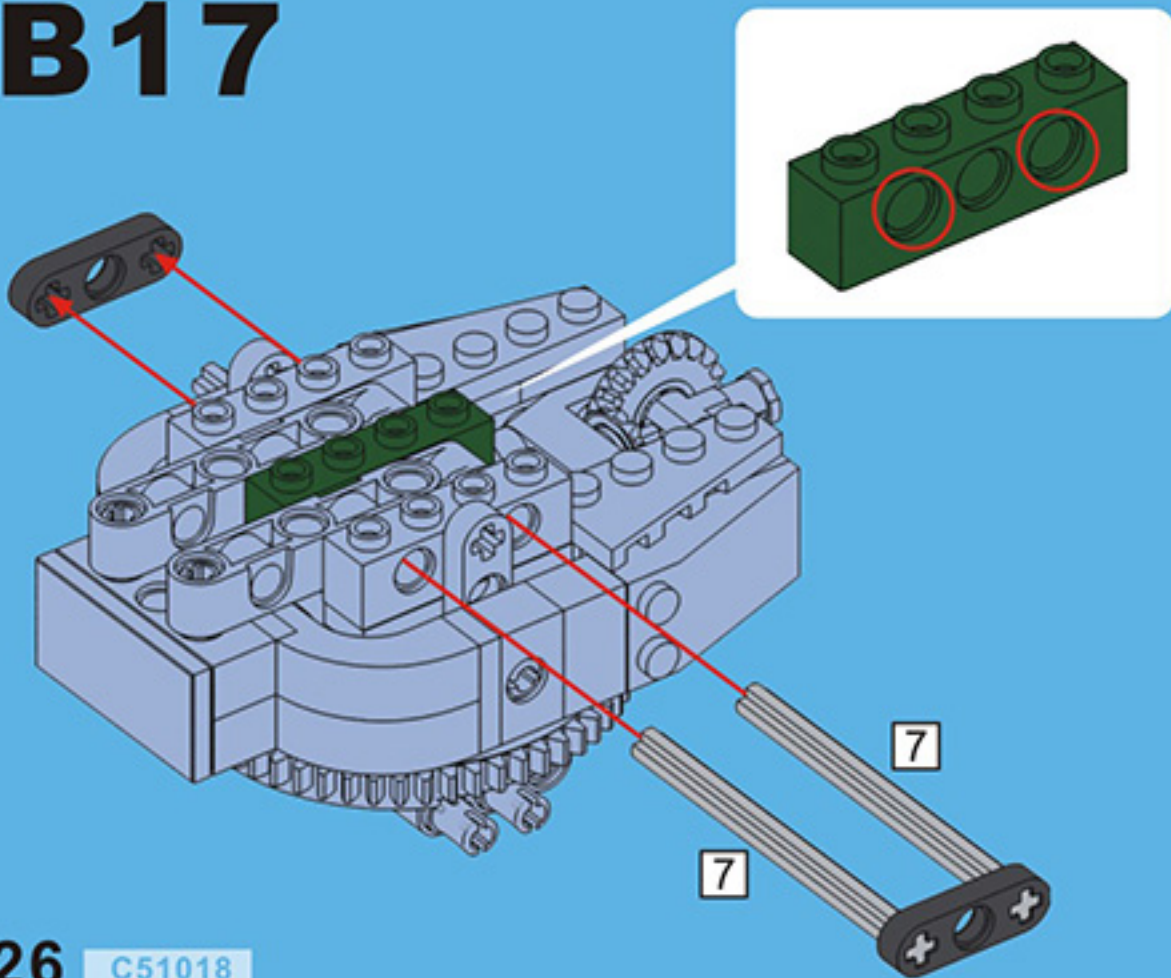




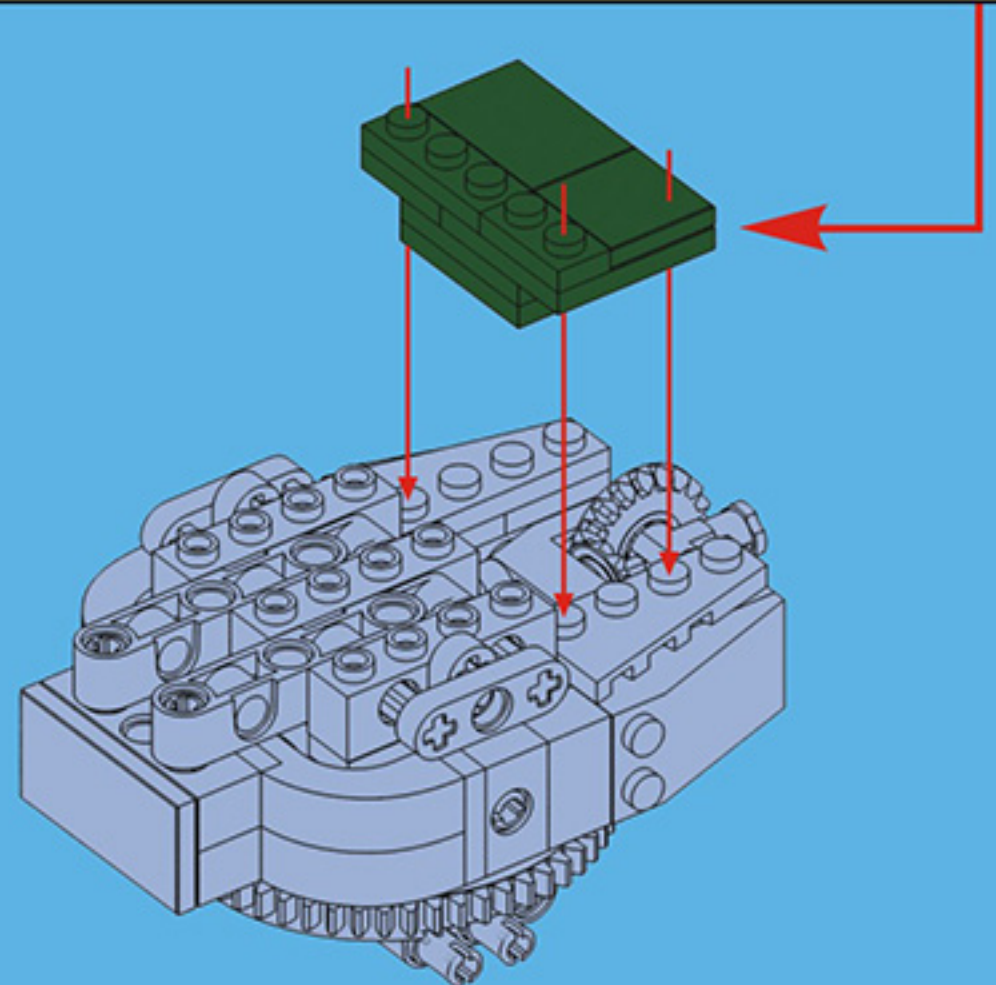
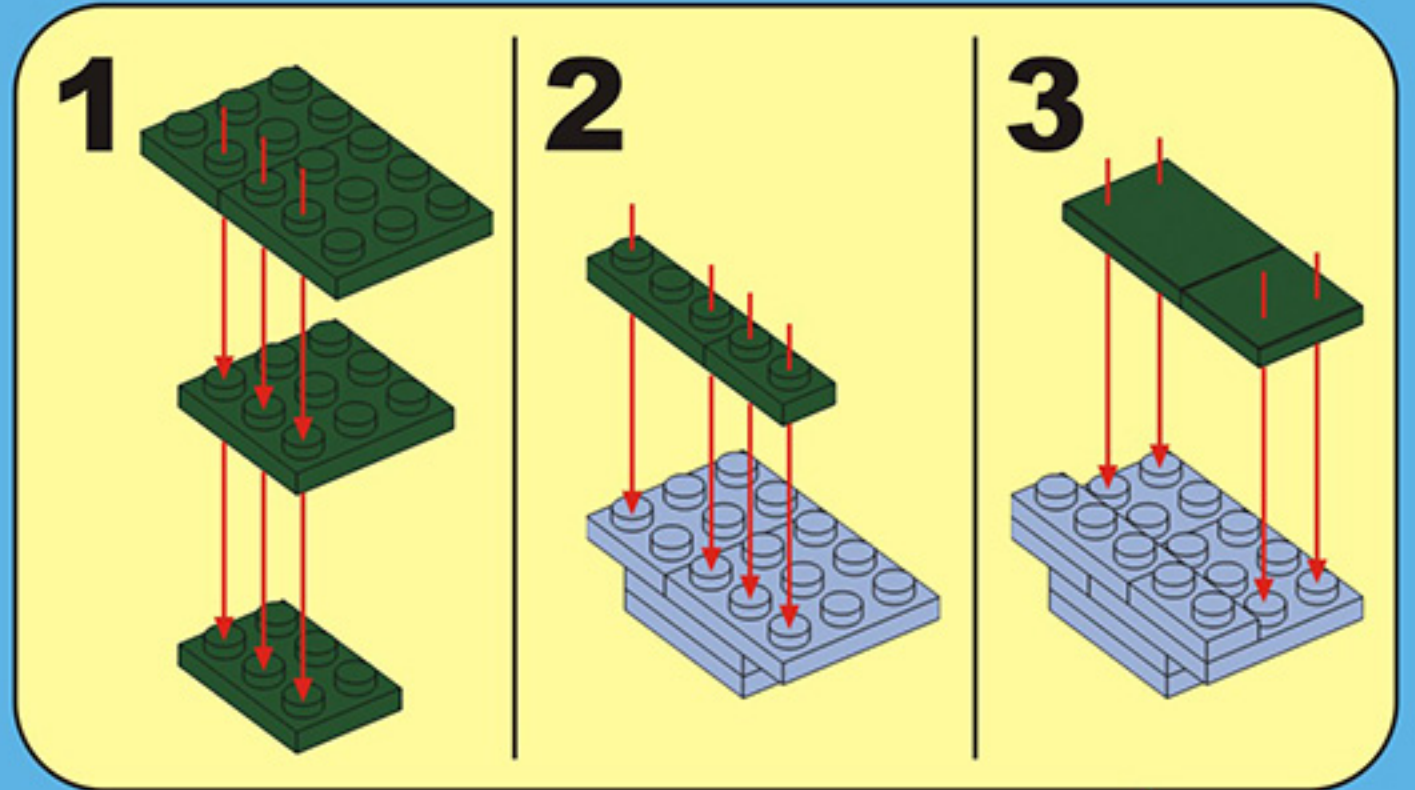
# B16



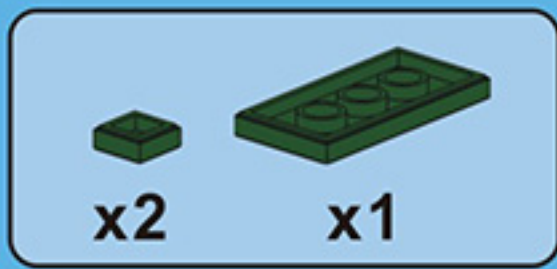
# B17



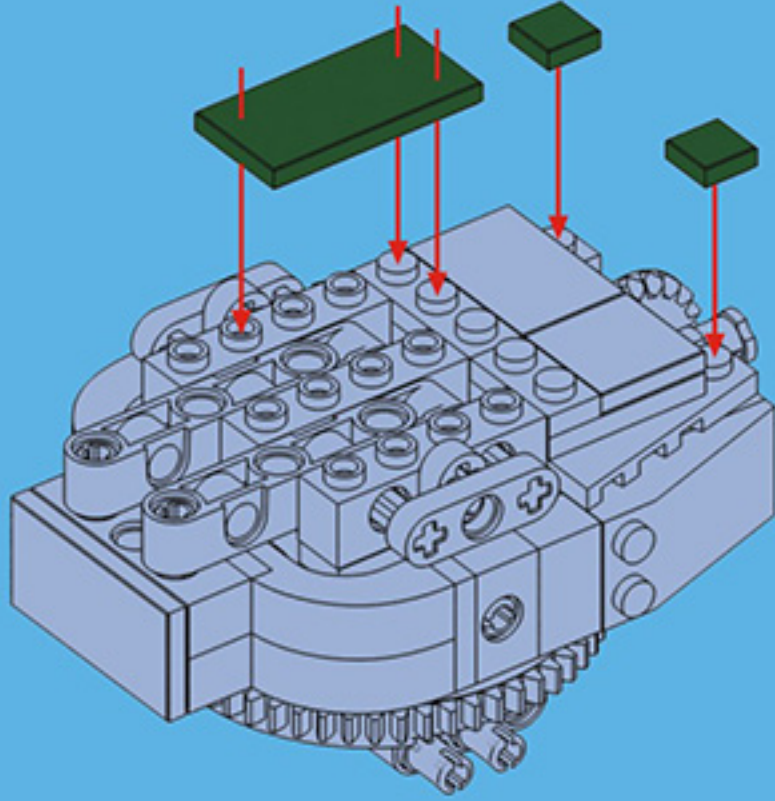
# B18



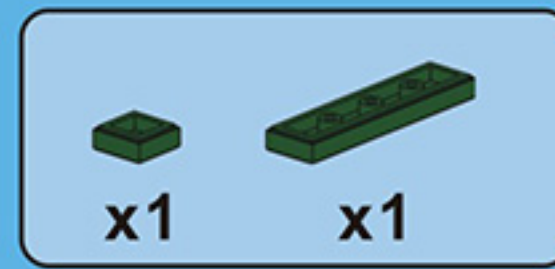
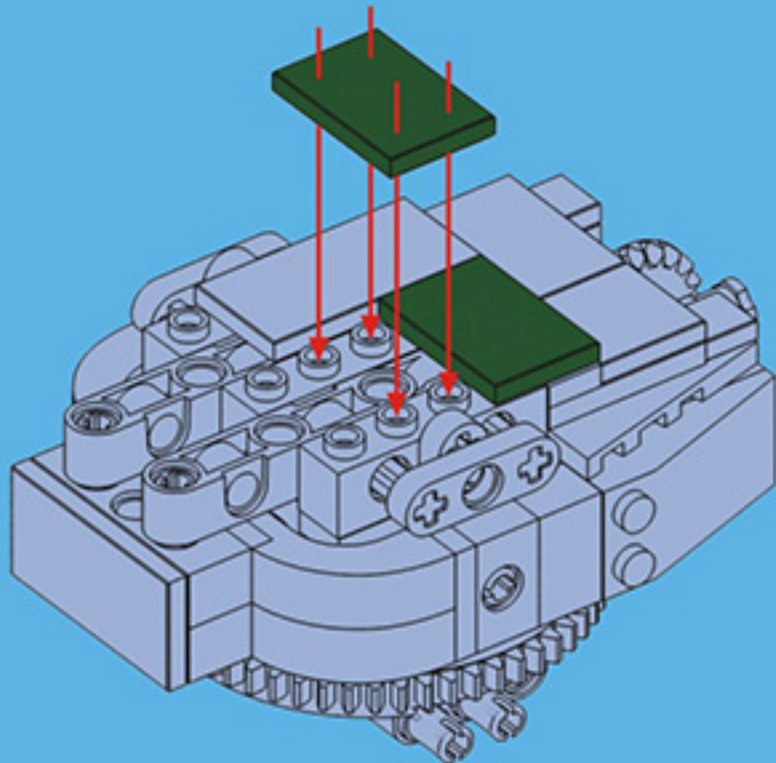




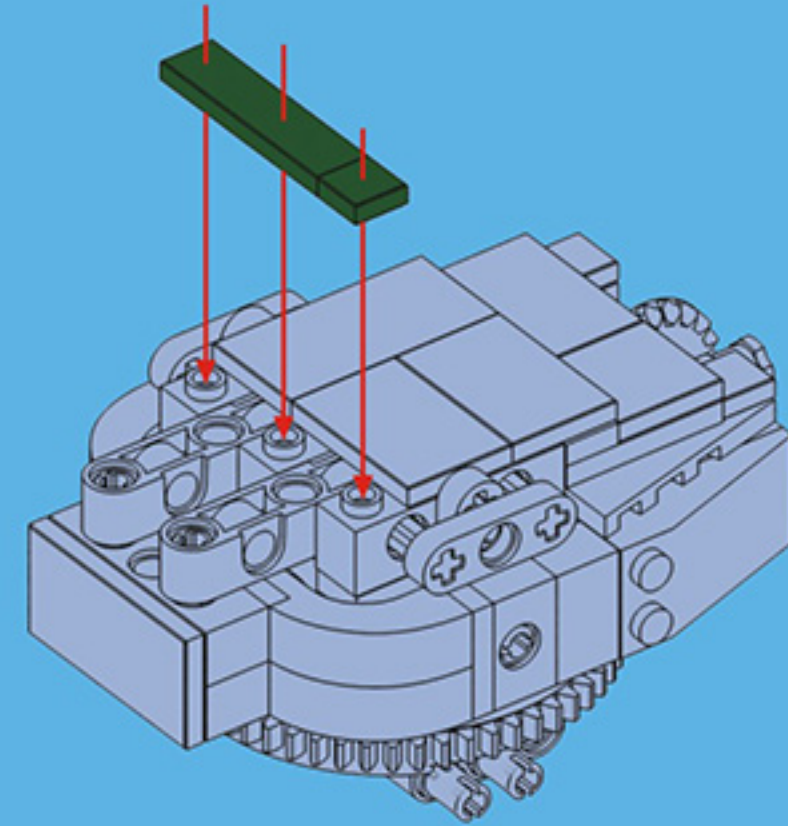
## B19



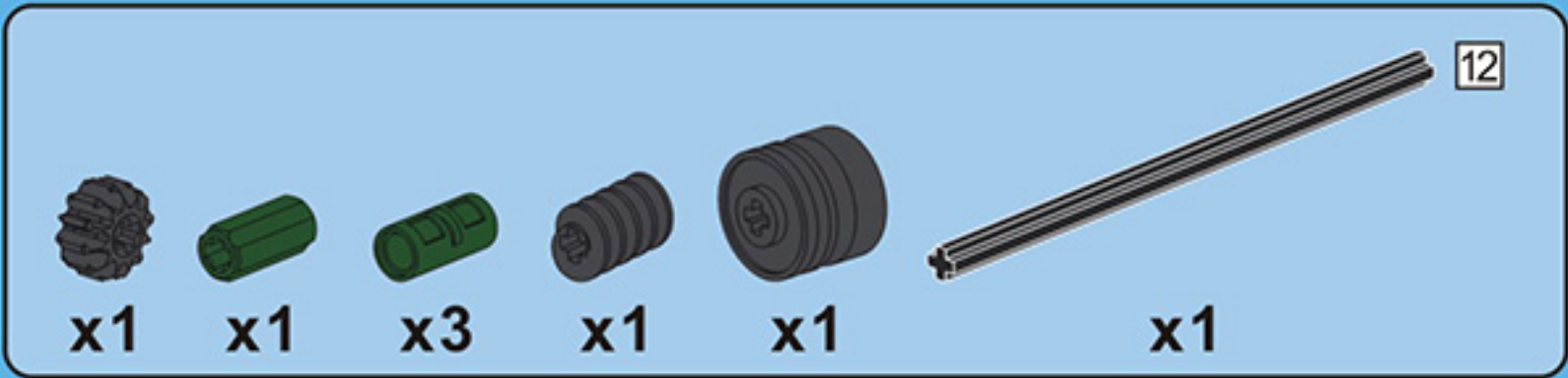
## B20



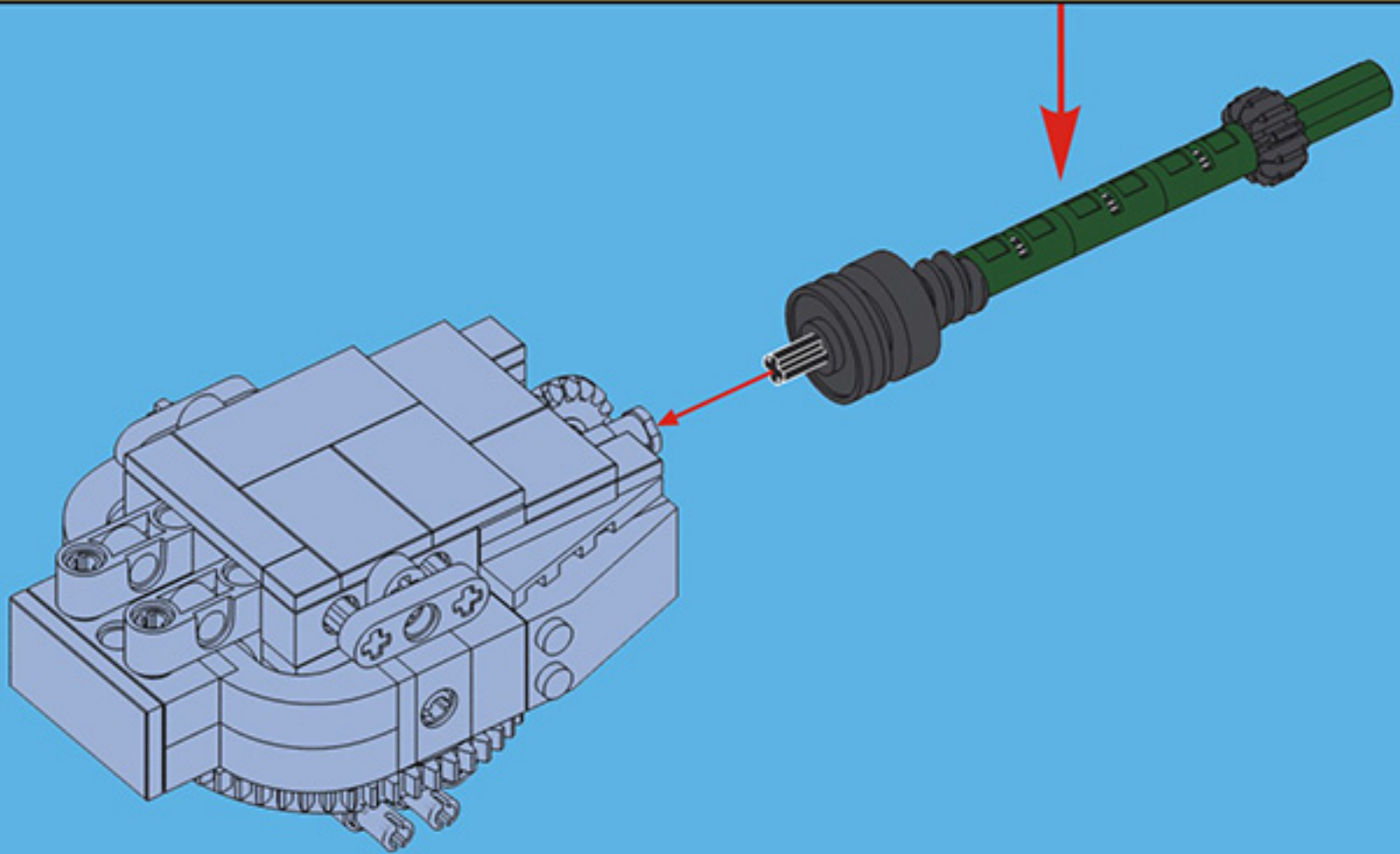
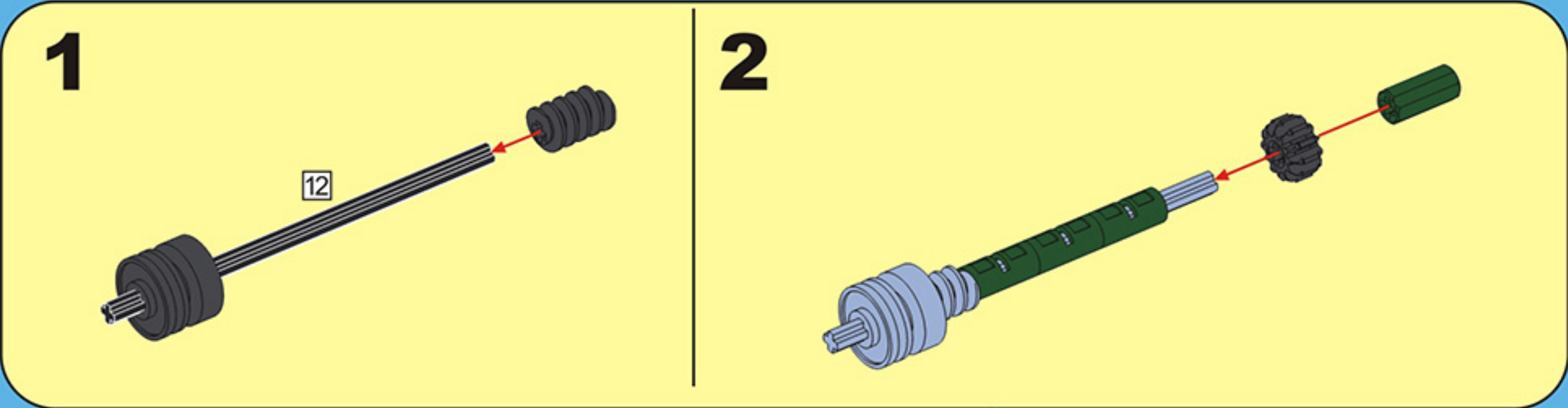
## B21



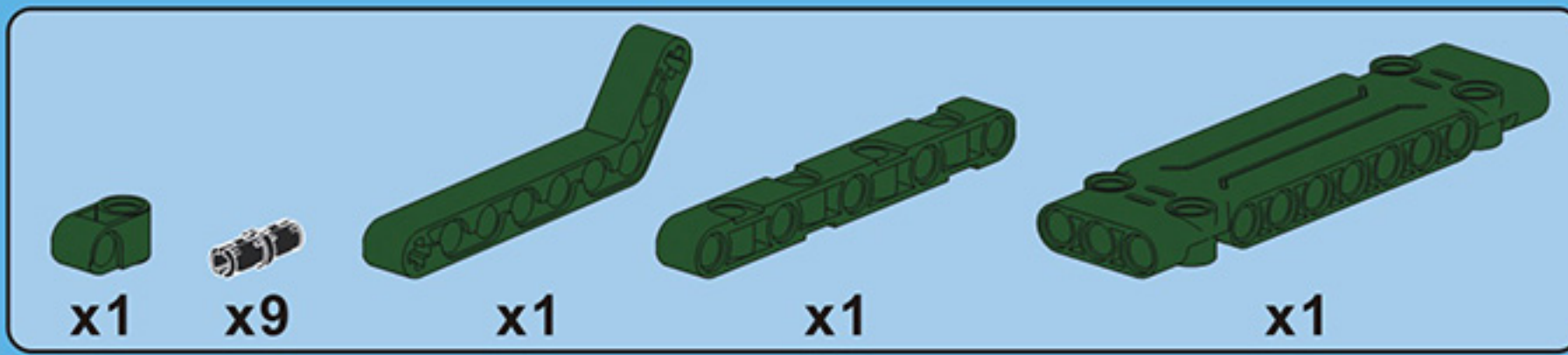




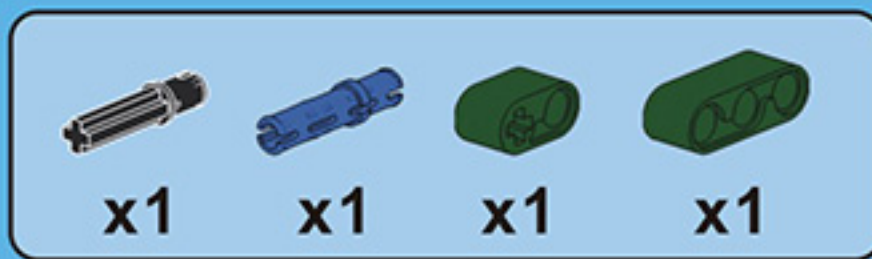
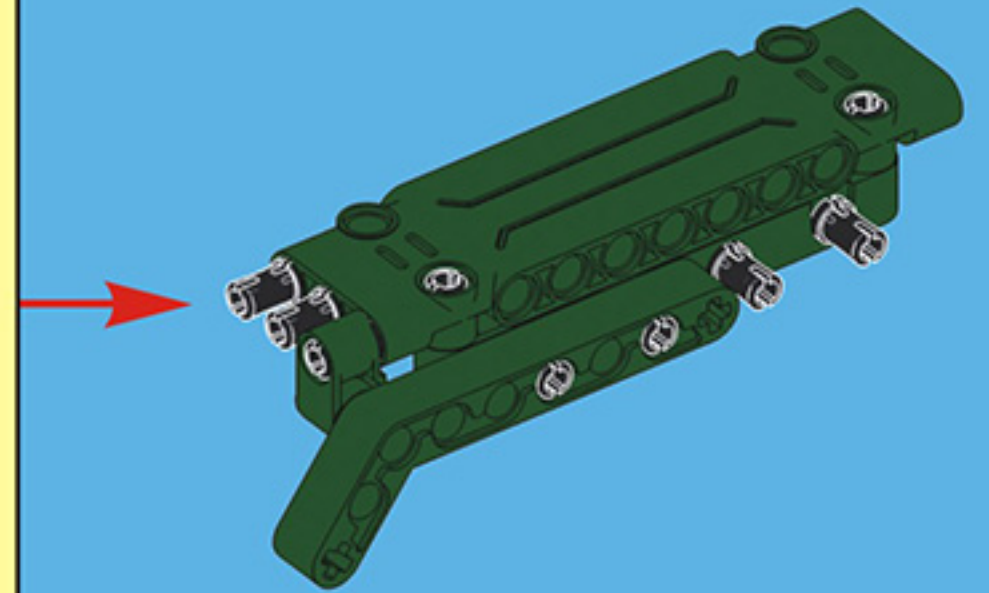
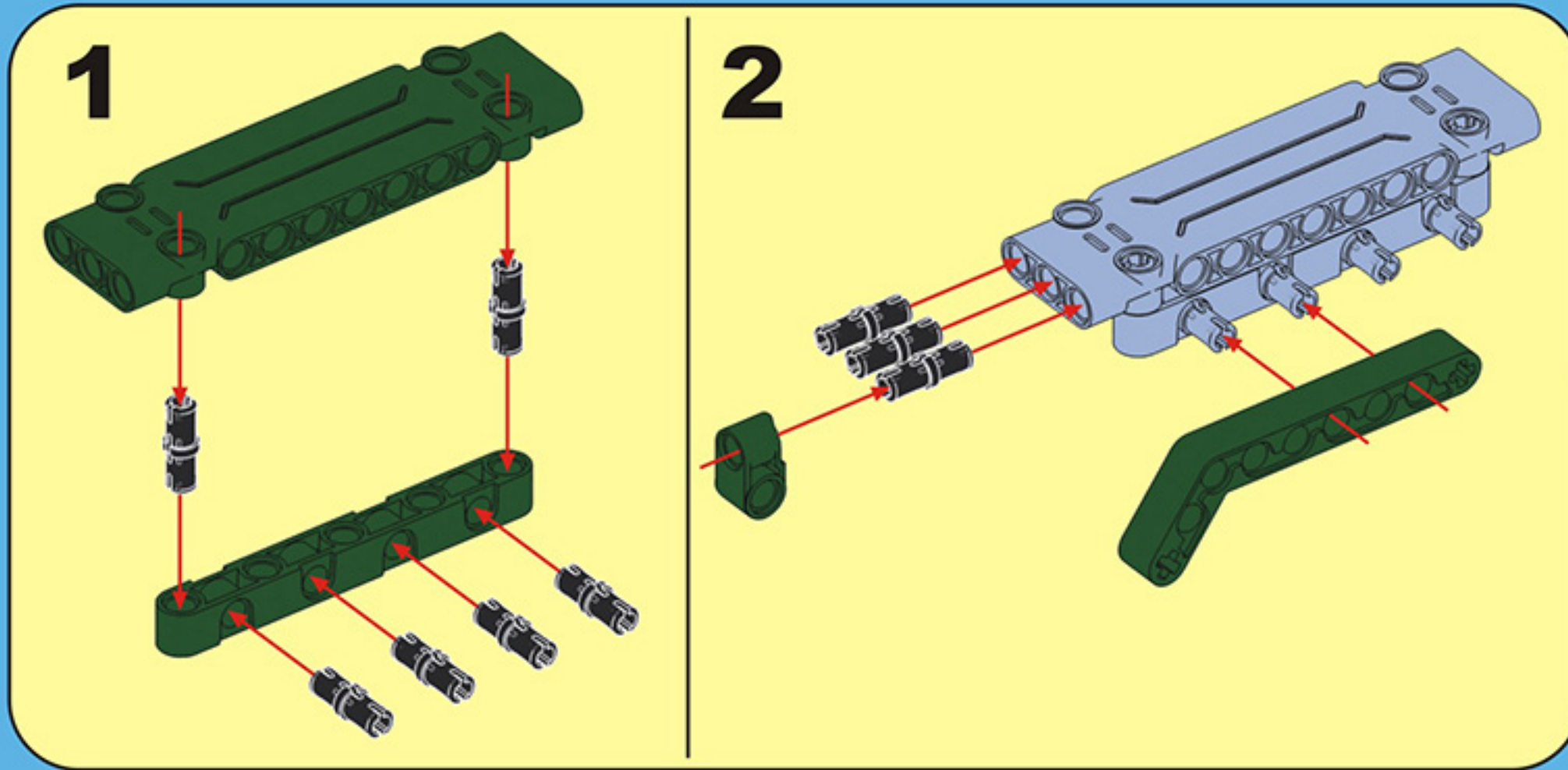
# B22



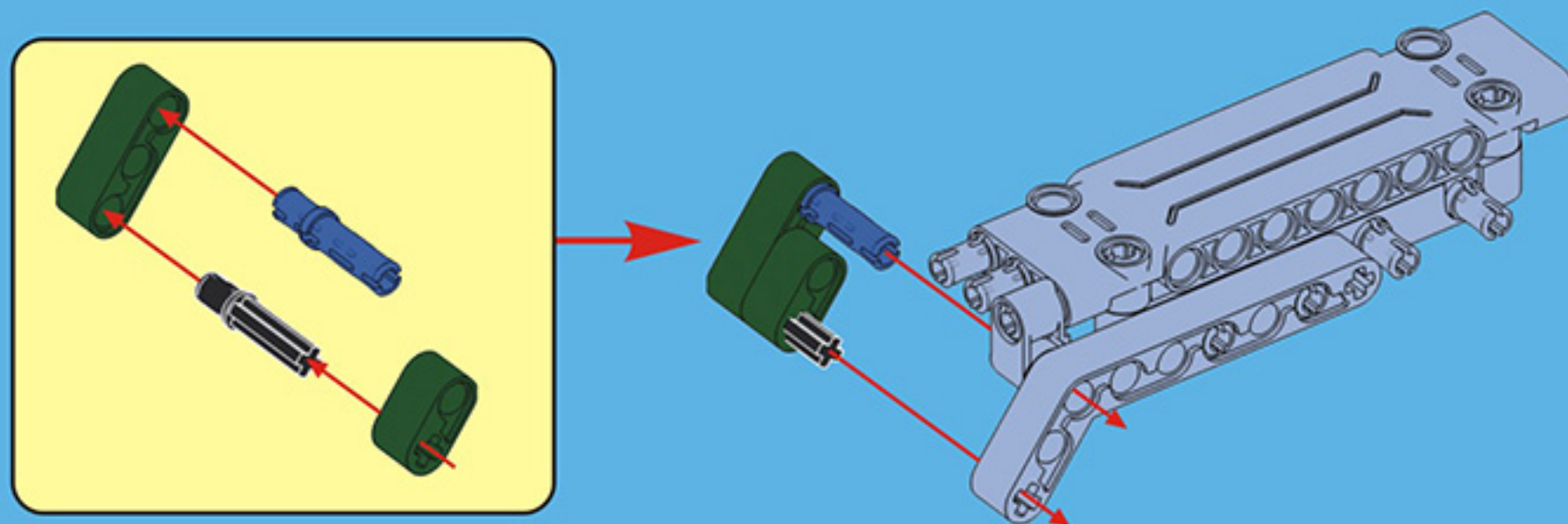




## B23

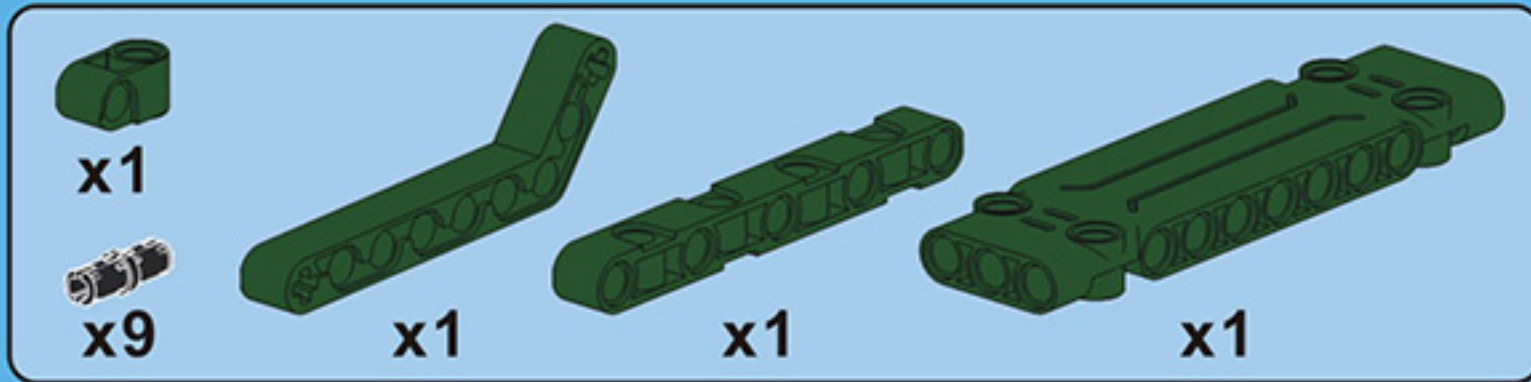
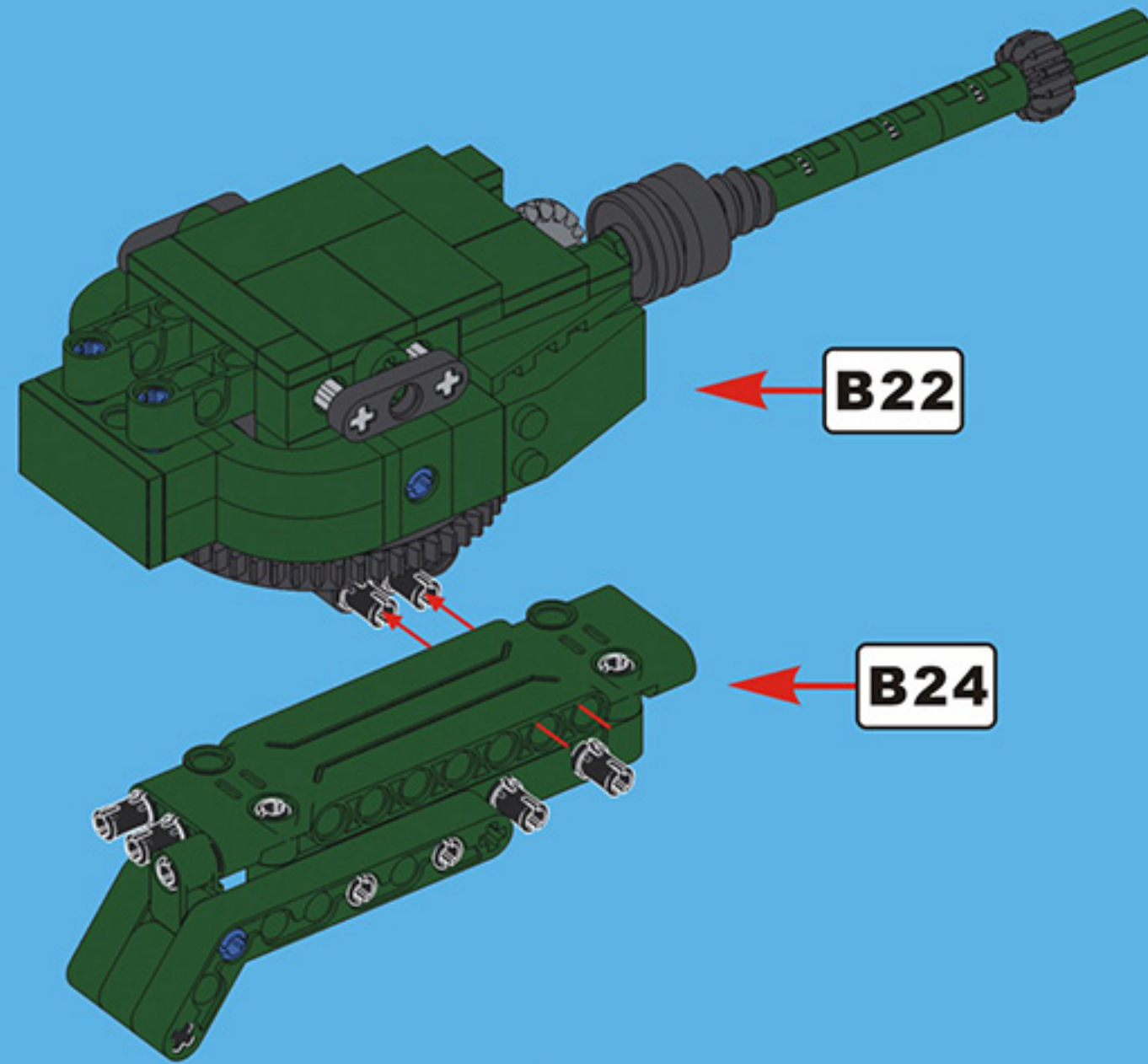


## B24

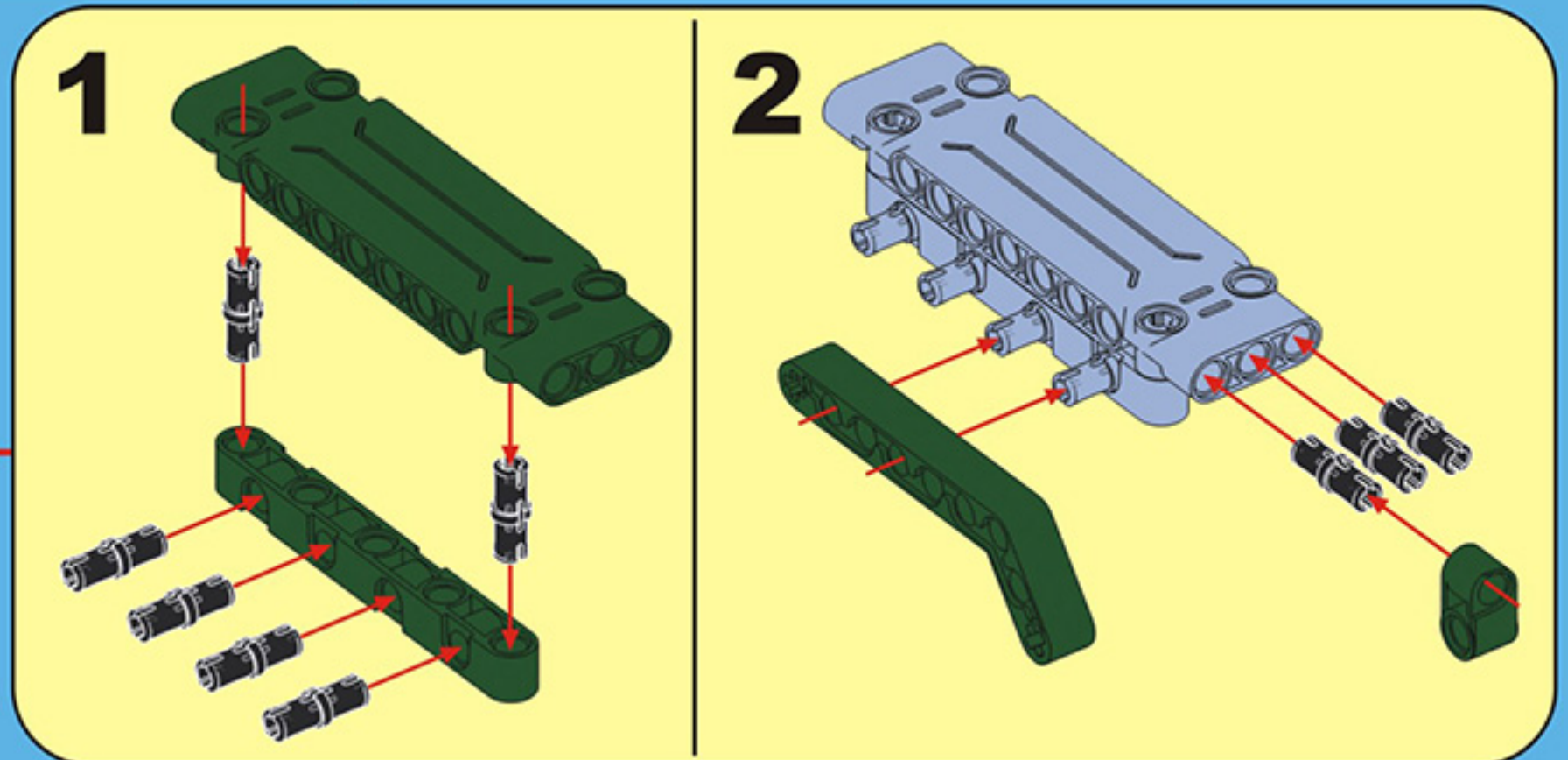
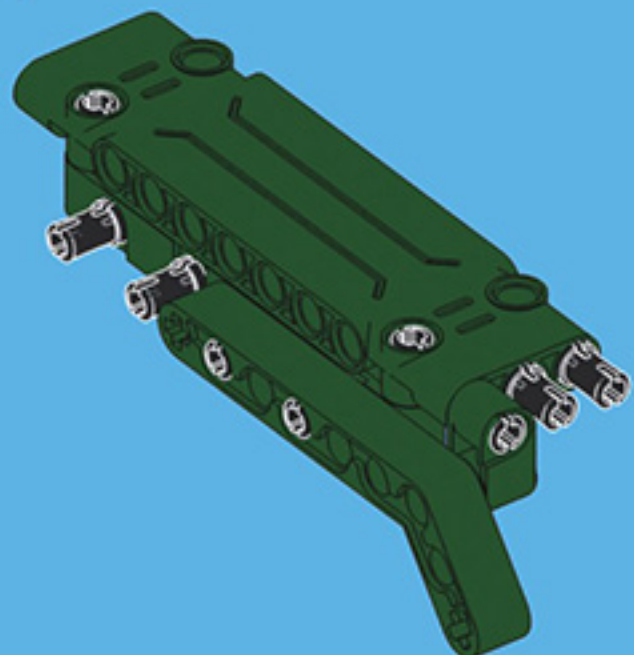




# B25

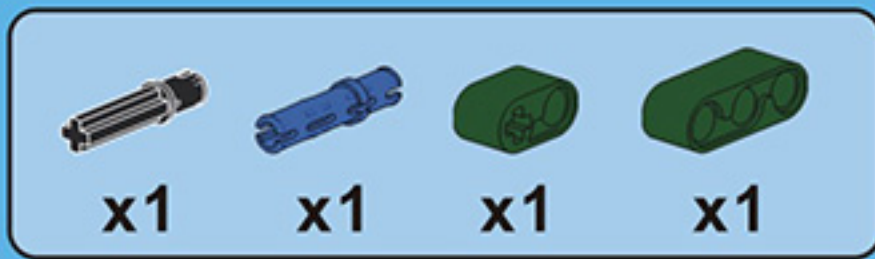


# B26

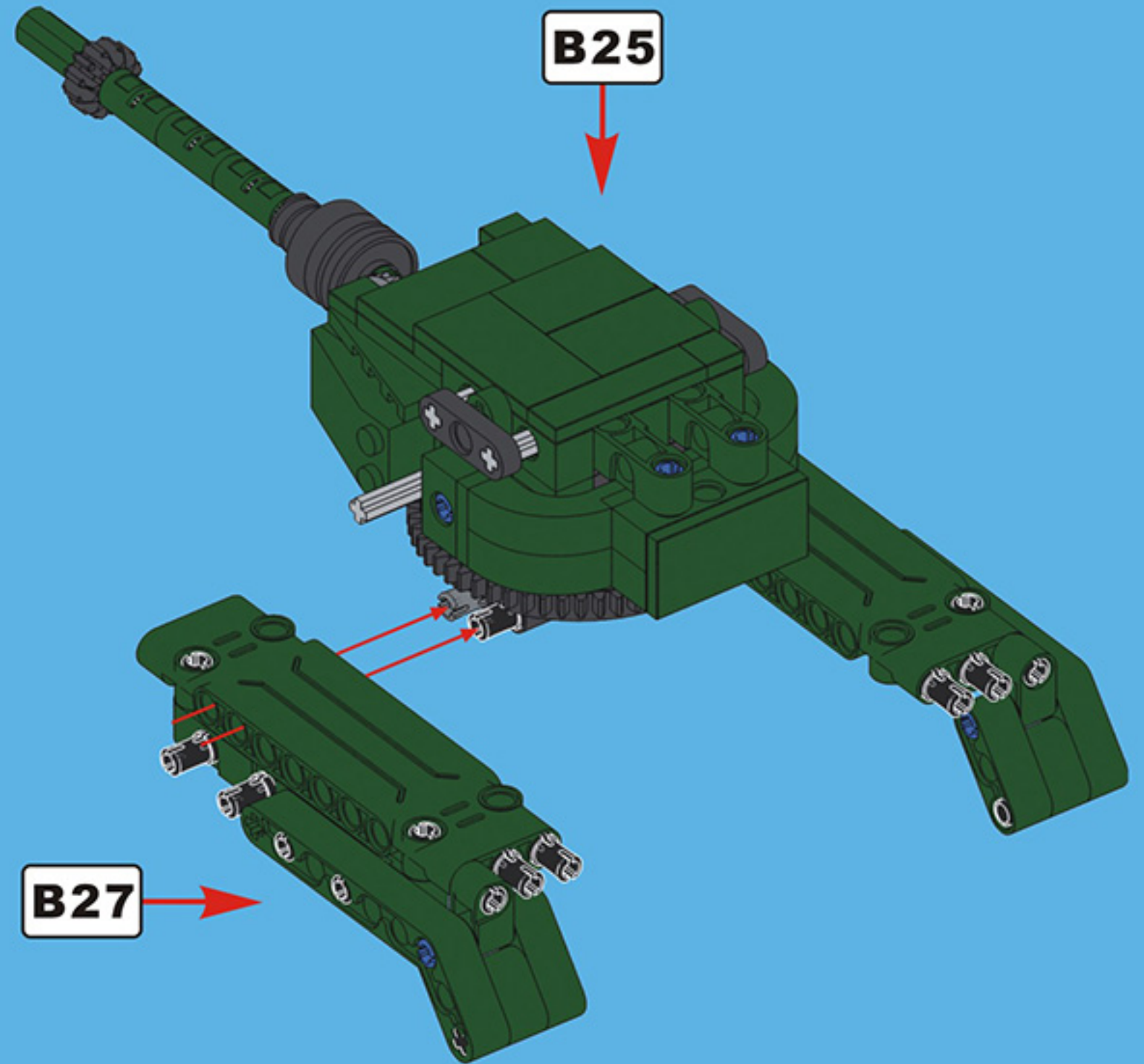
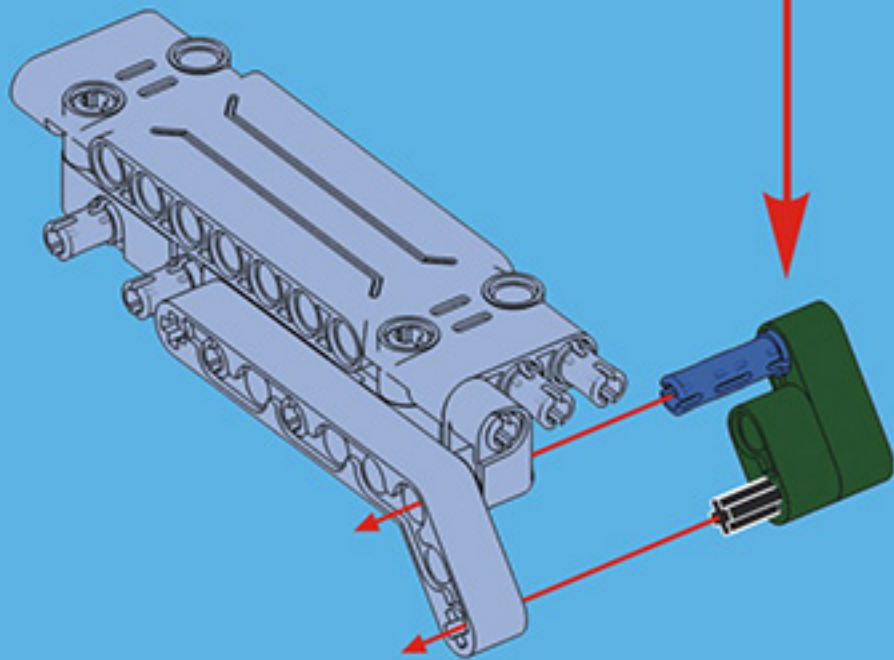
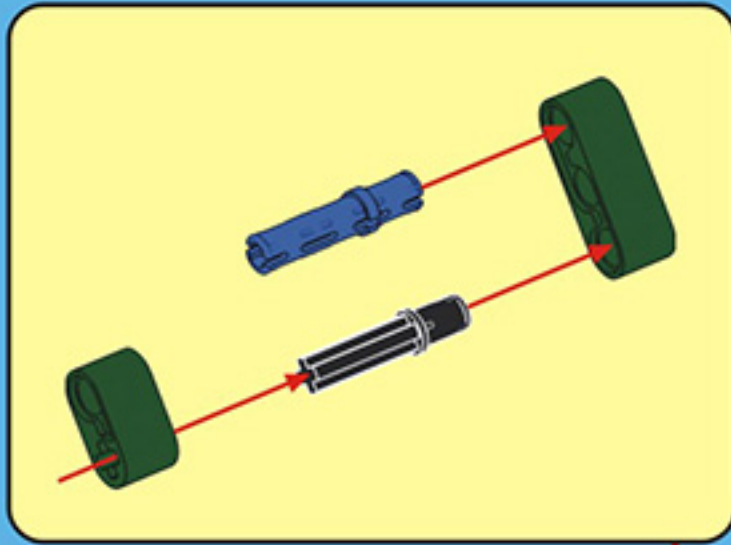




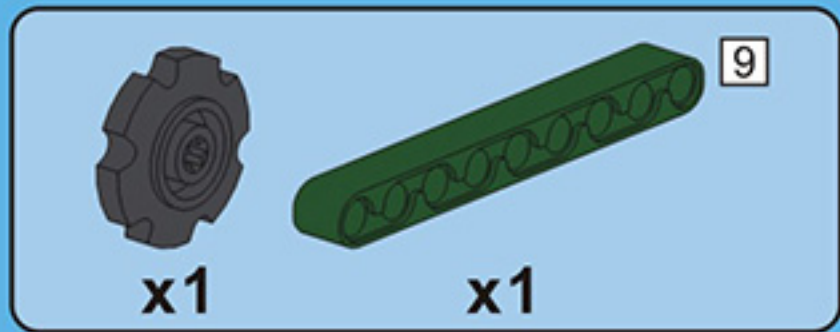
# B28



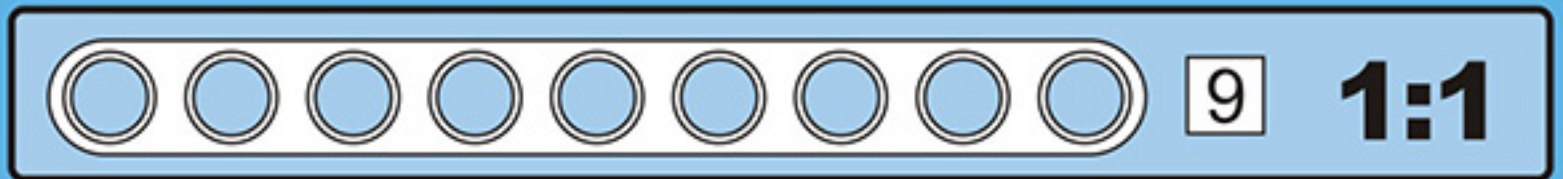
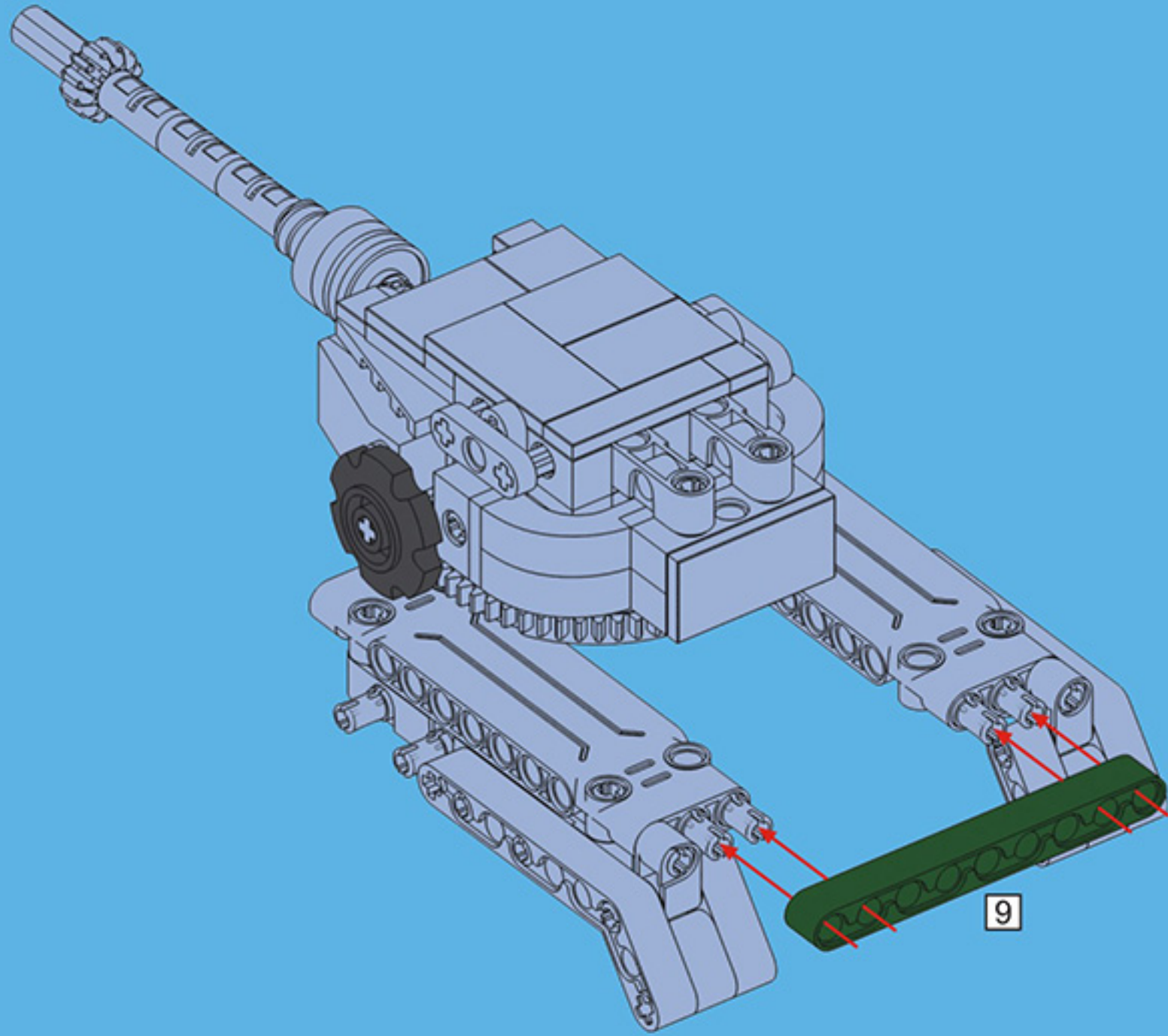
# B27



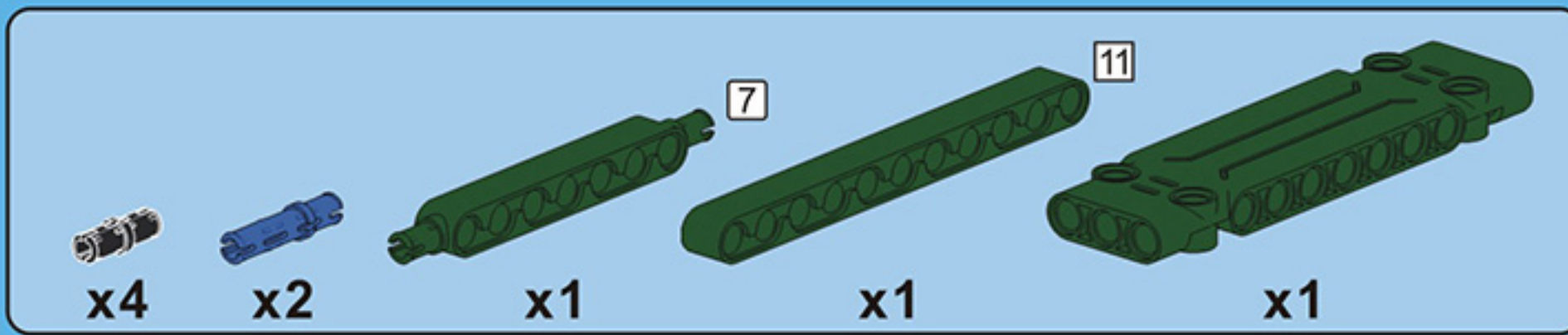




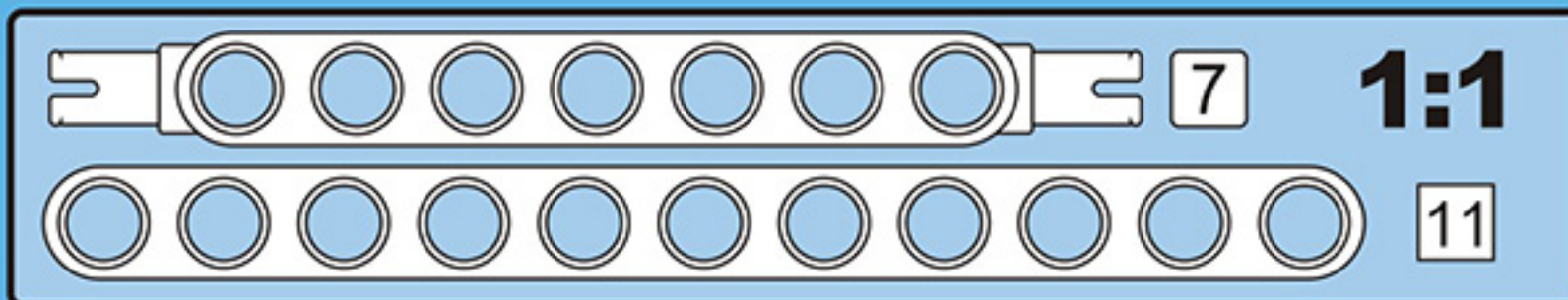
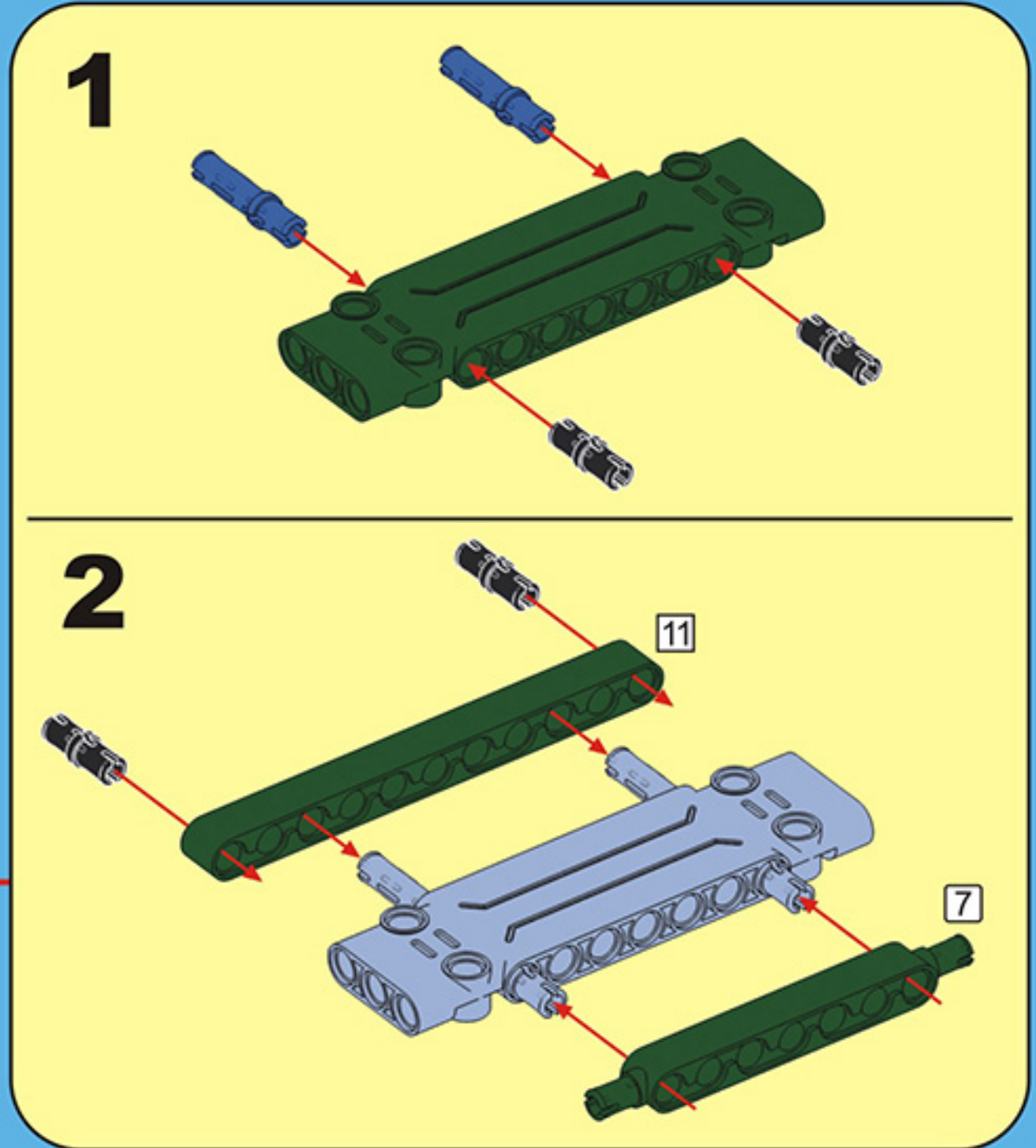
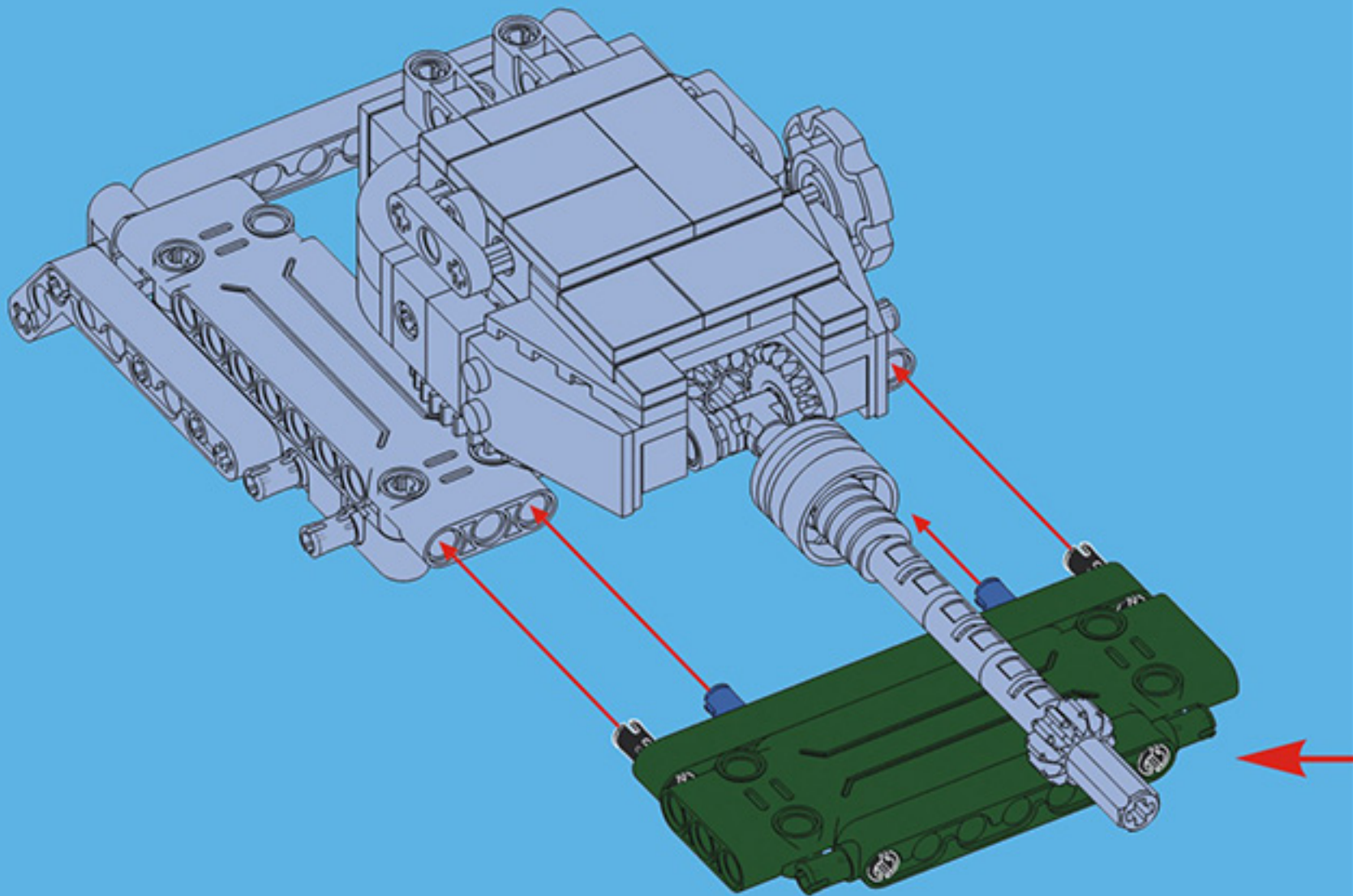
# B29



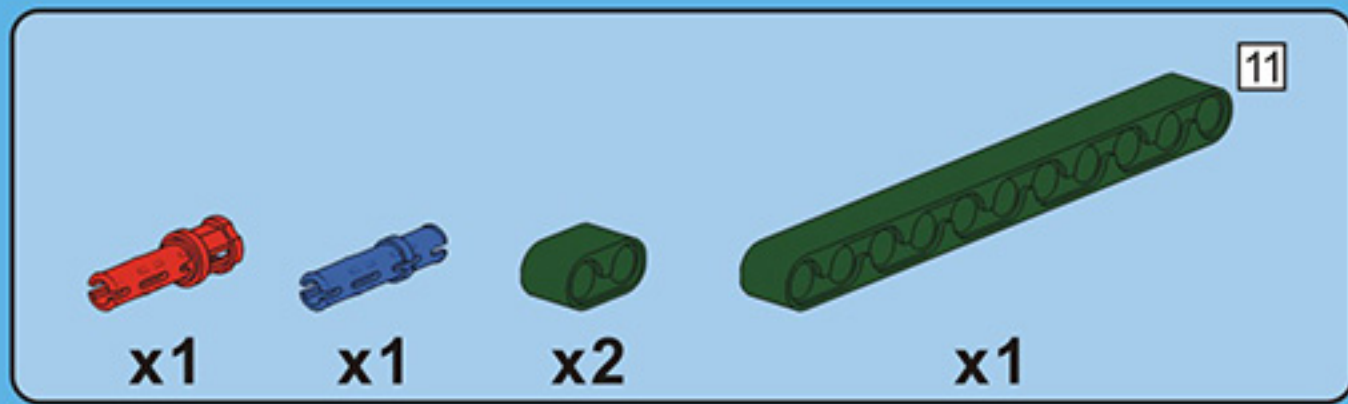




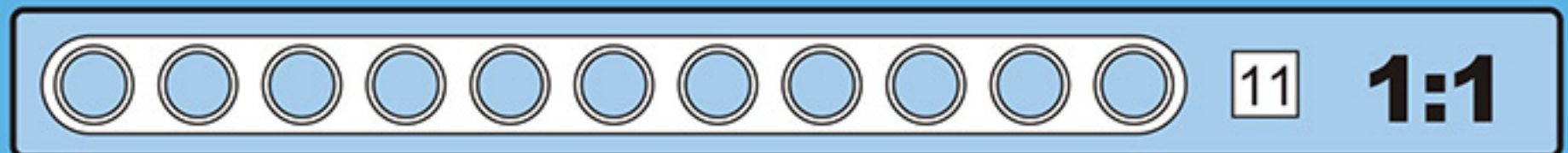
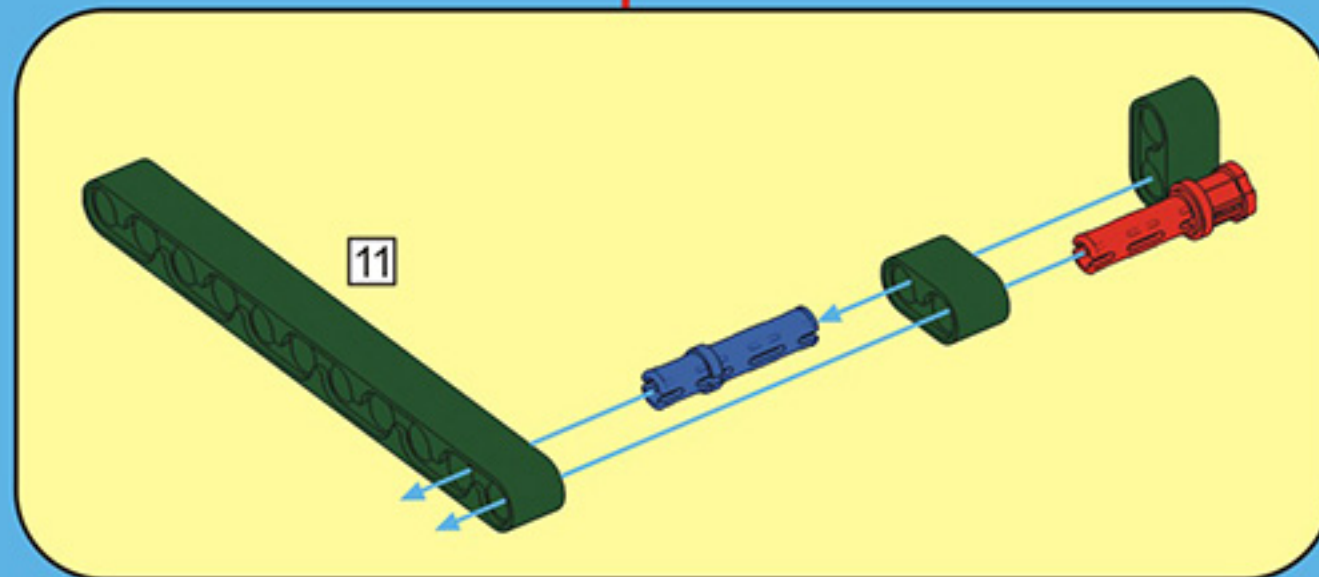
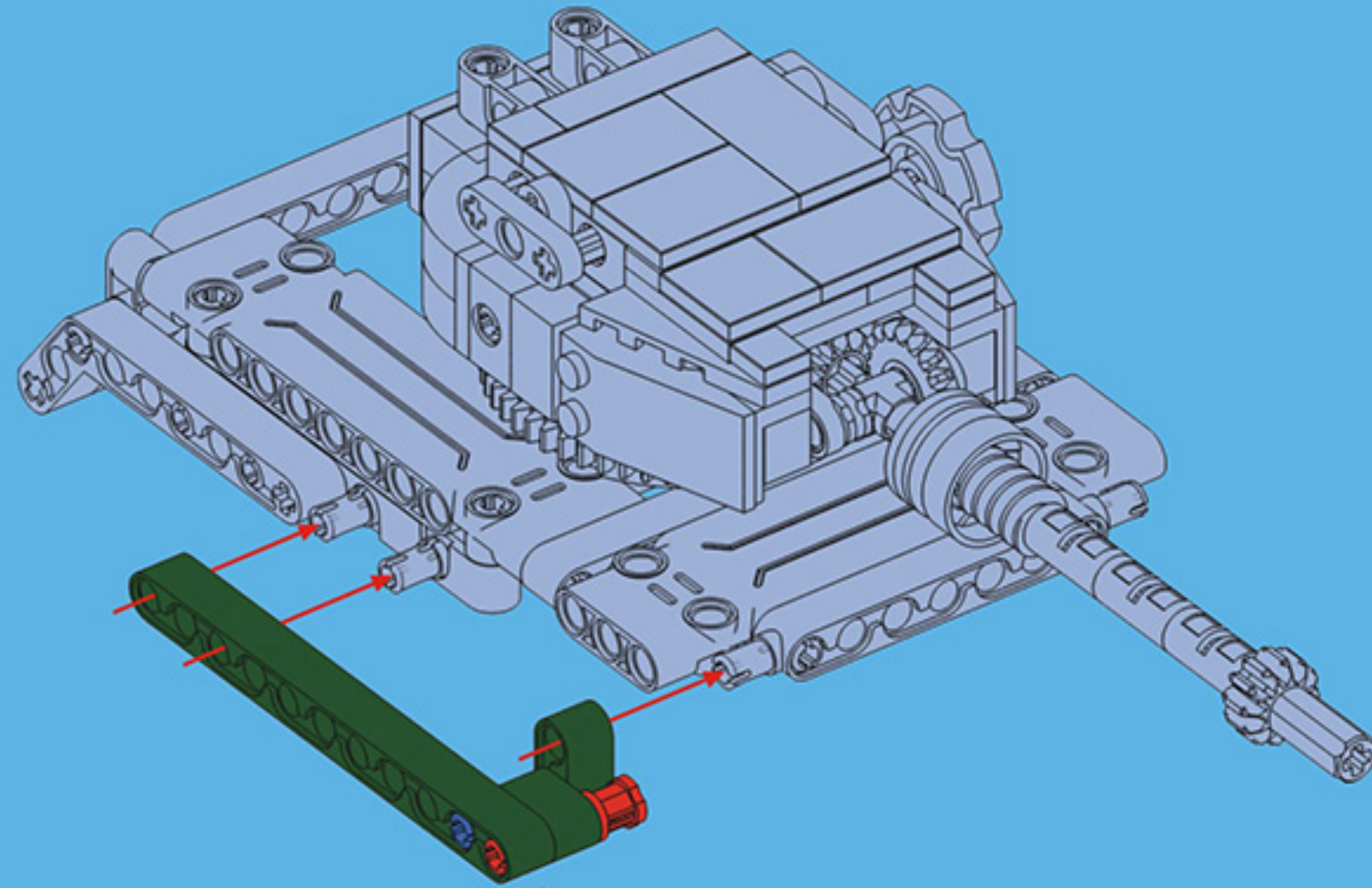
# B30





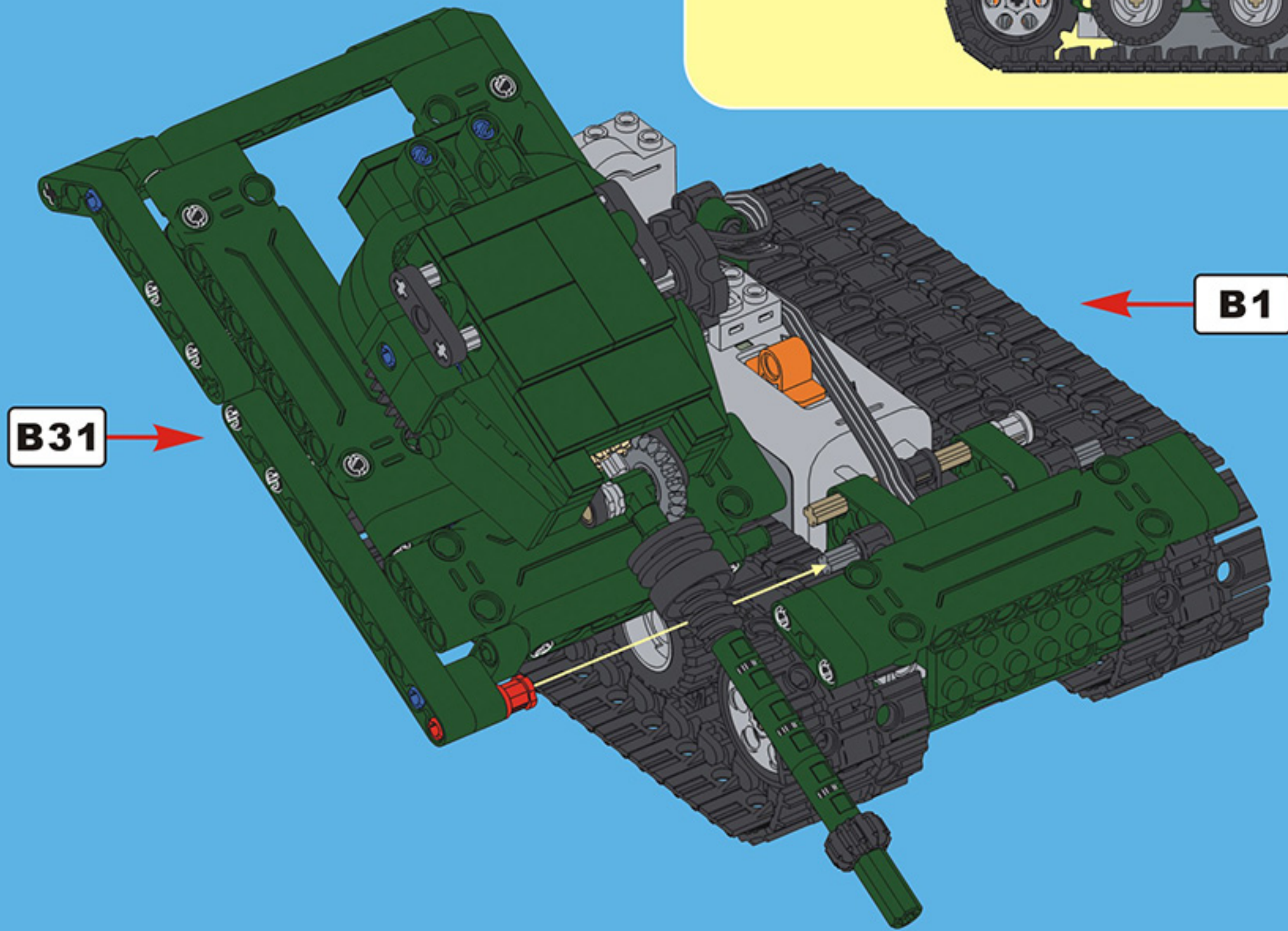
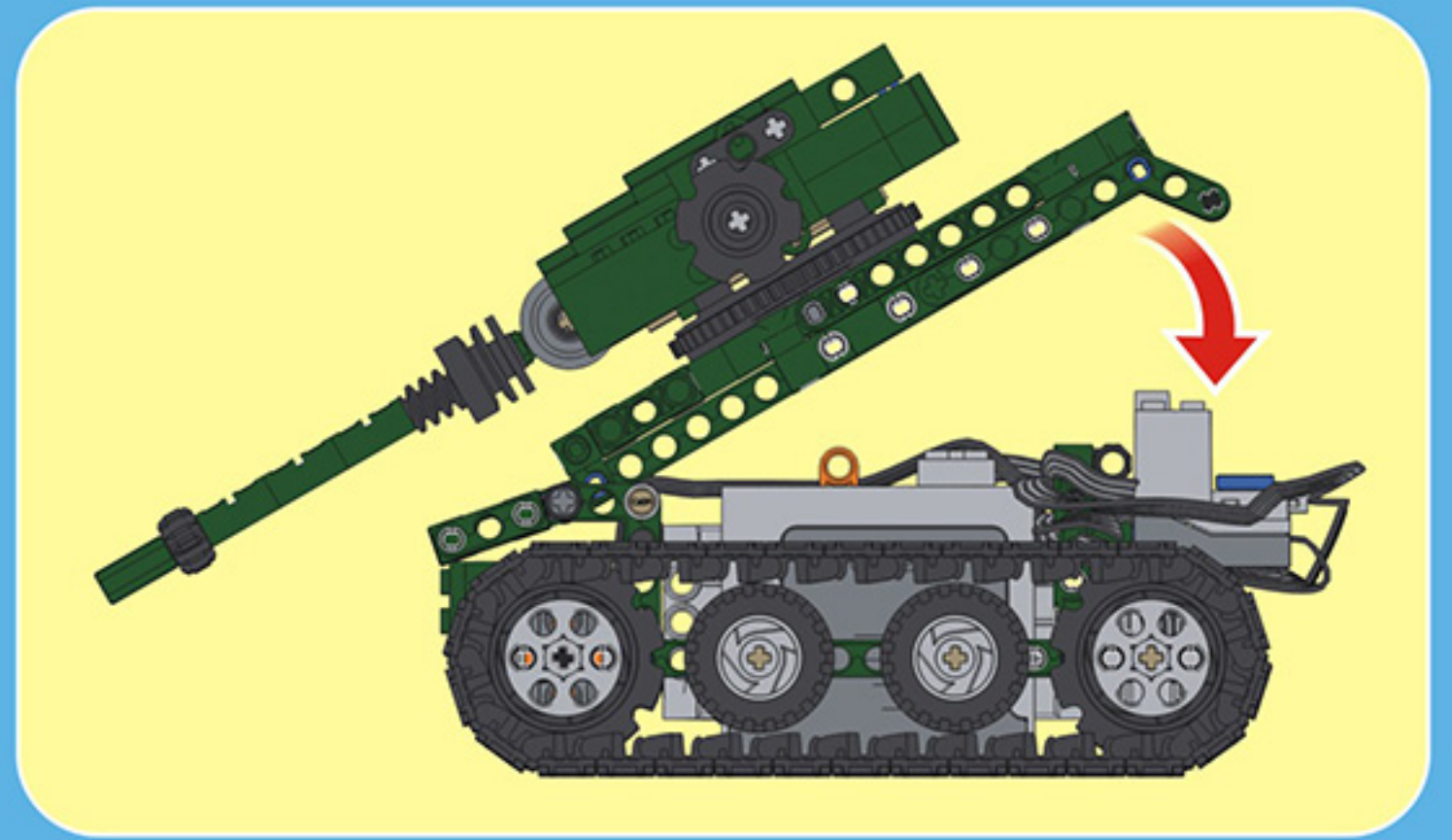


# B31





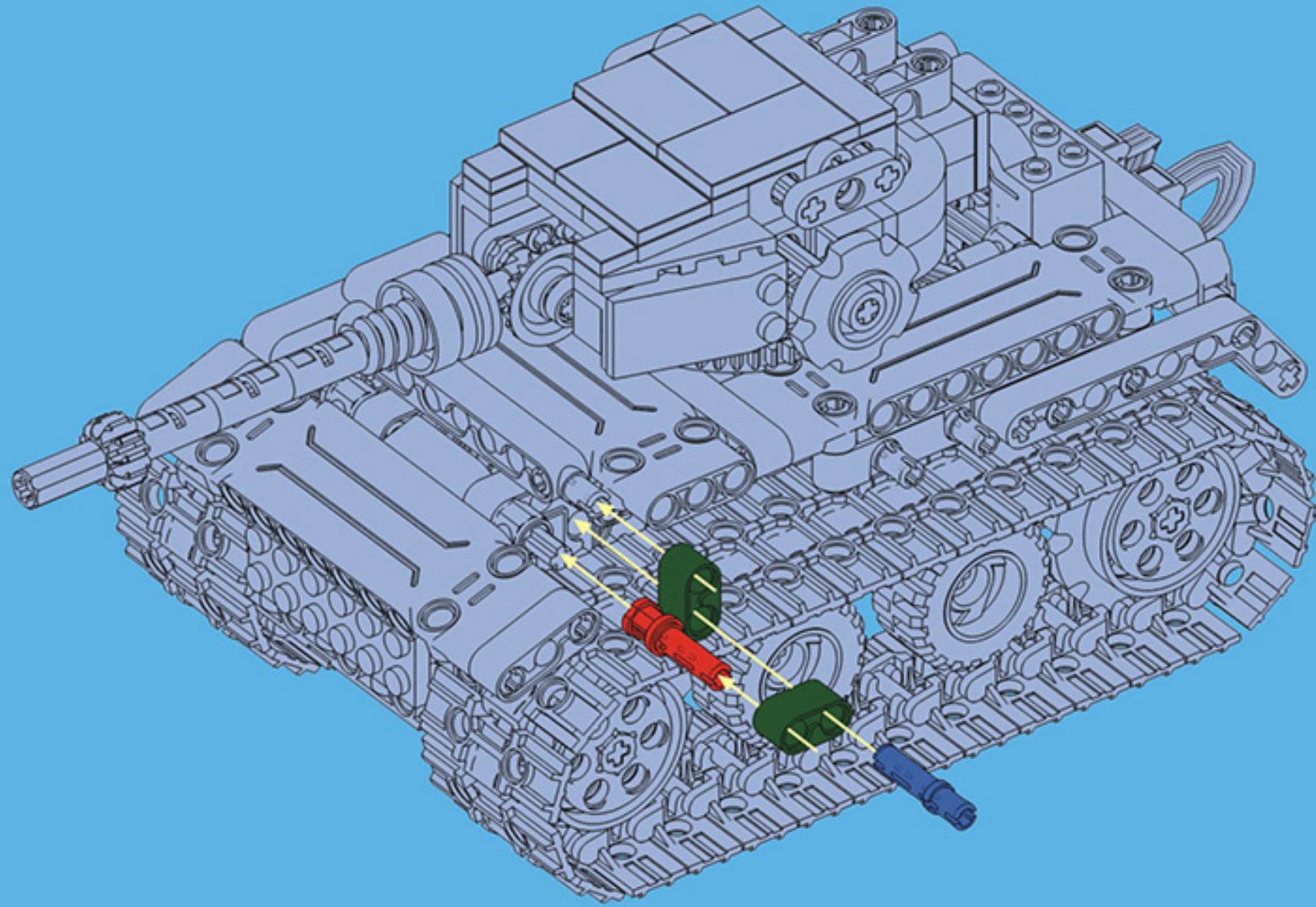
# B32



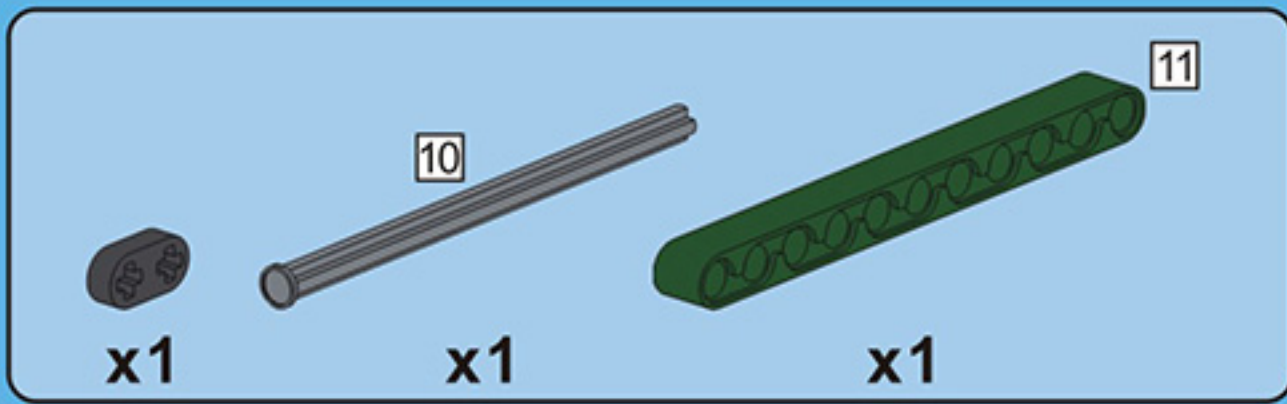




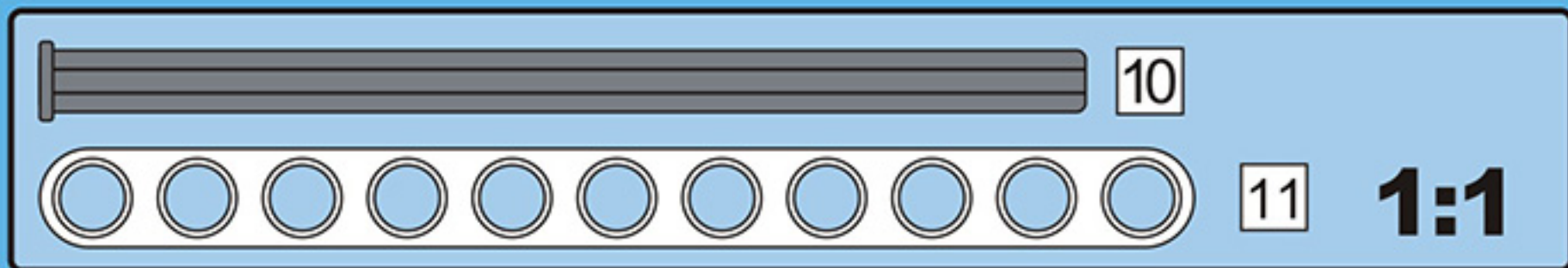
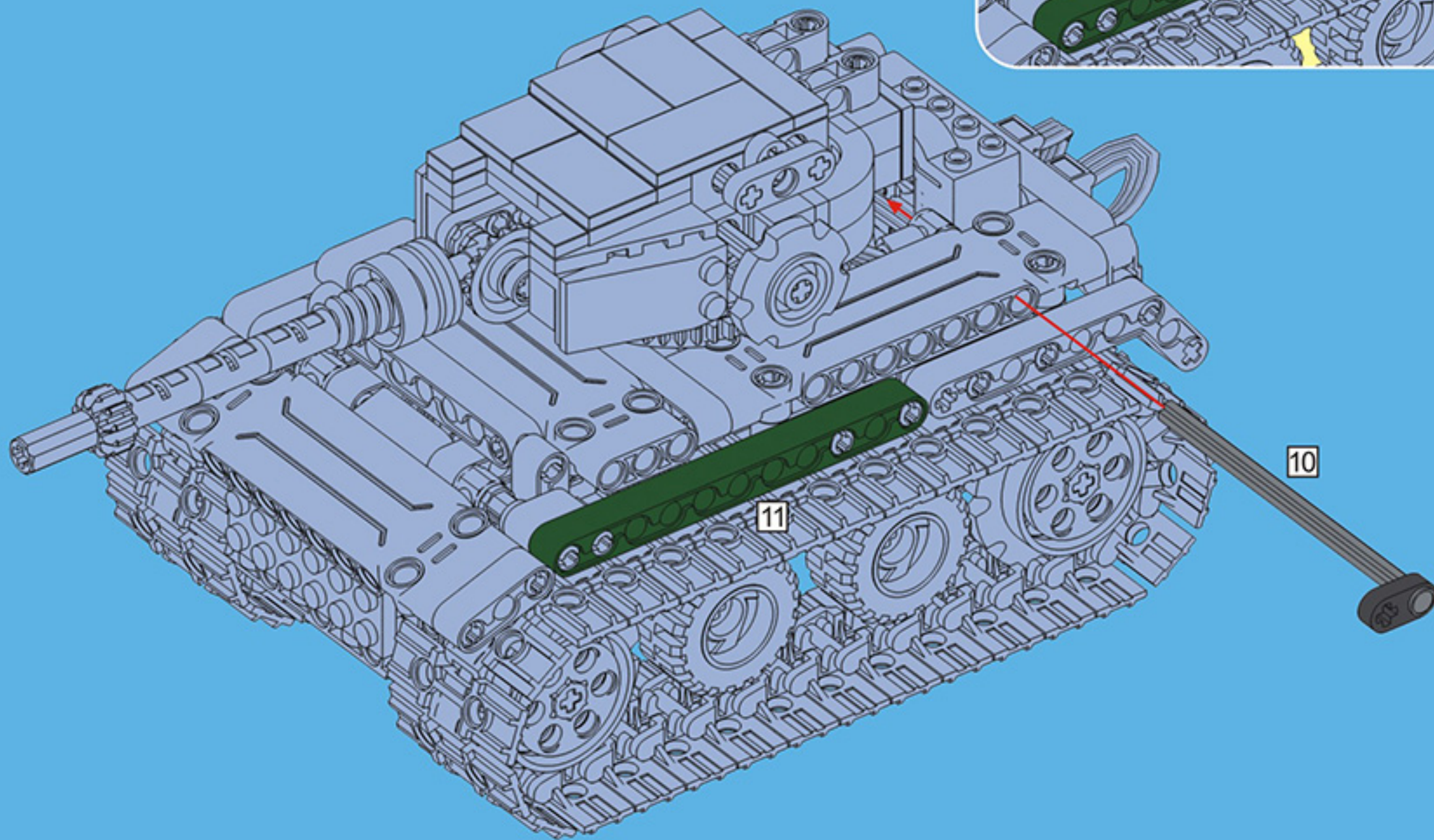
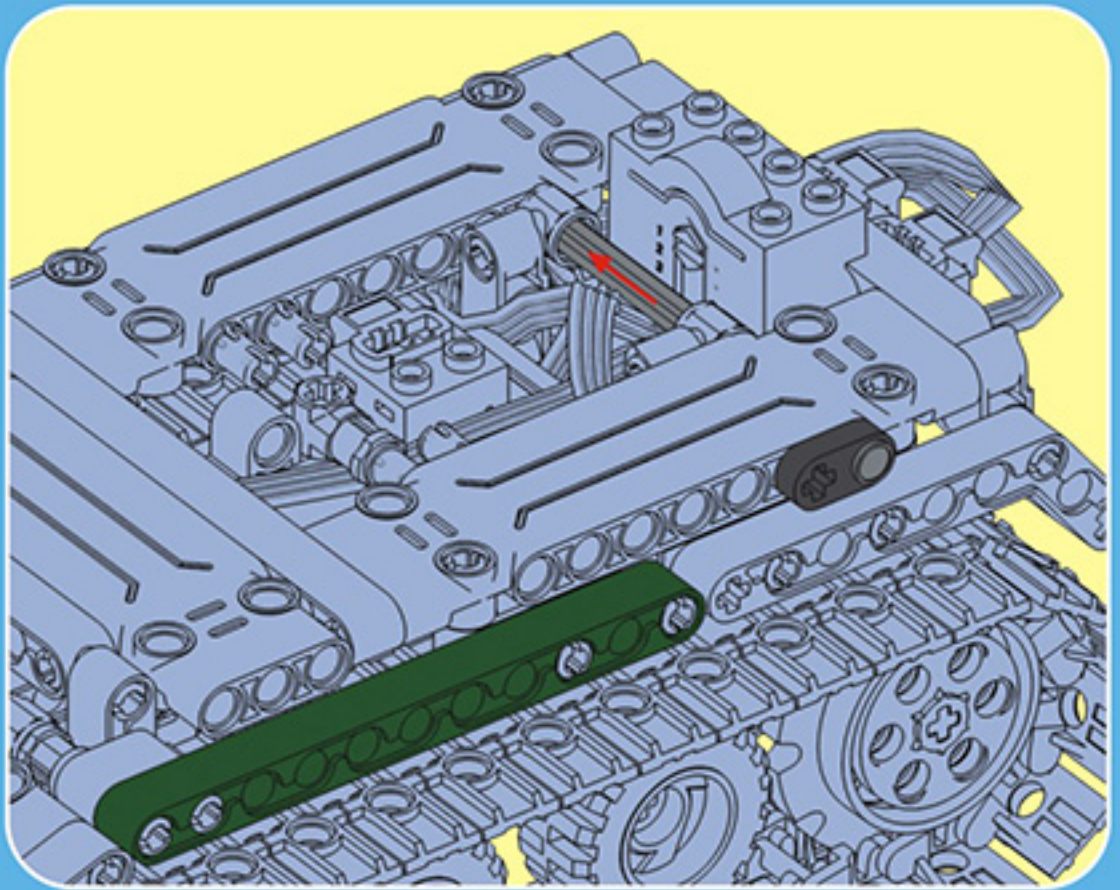
# B33



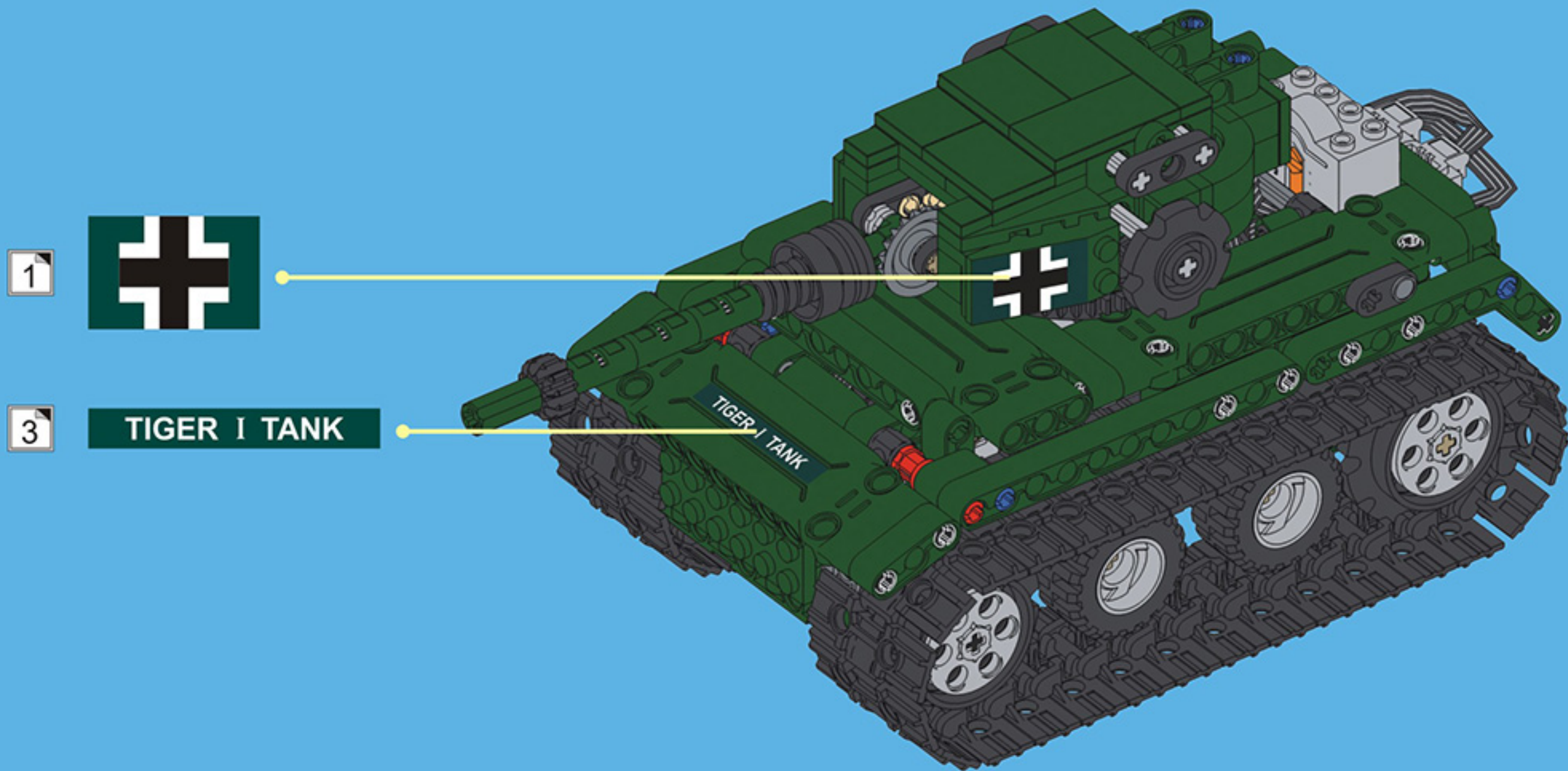




# B34









2

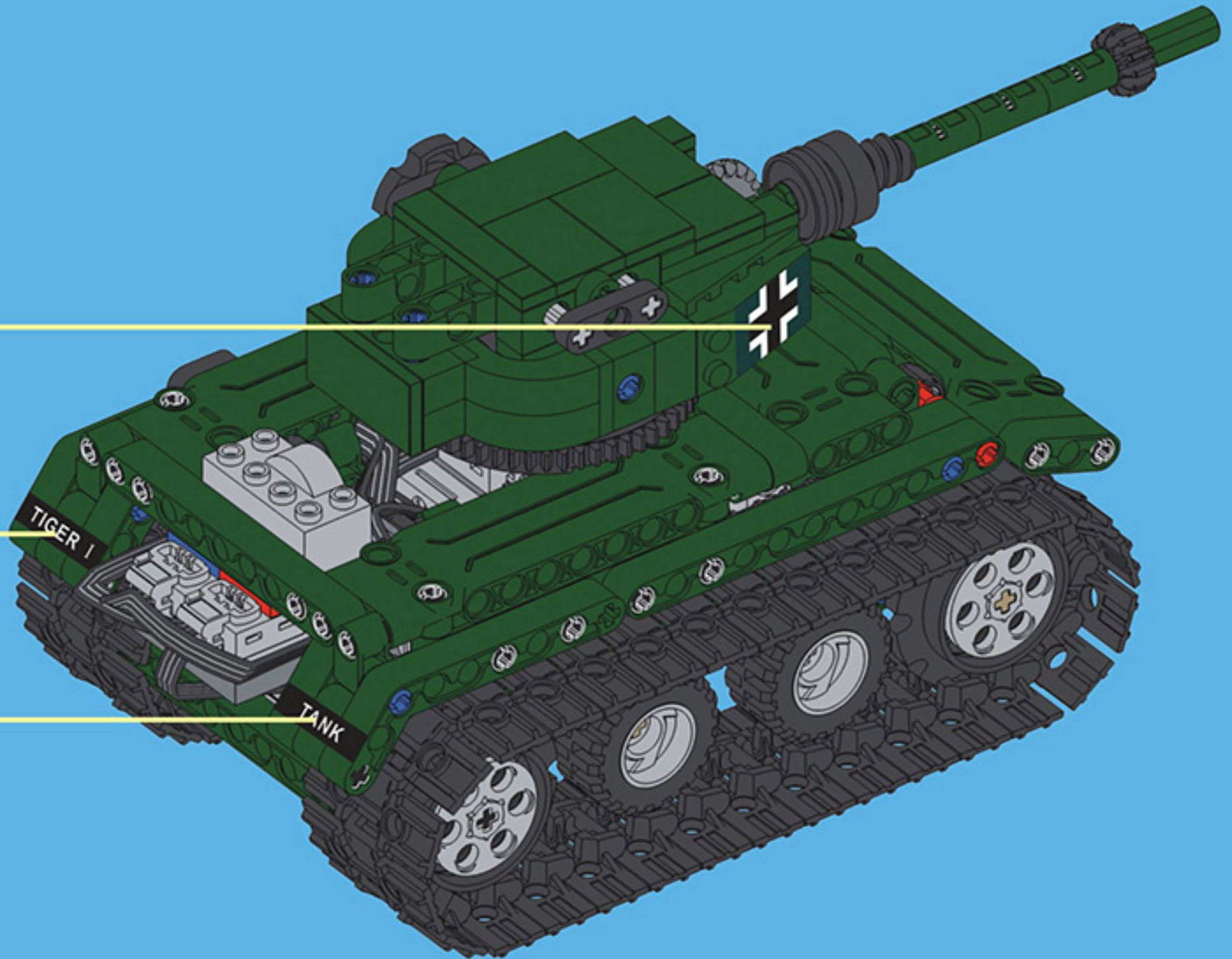


4

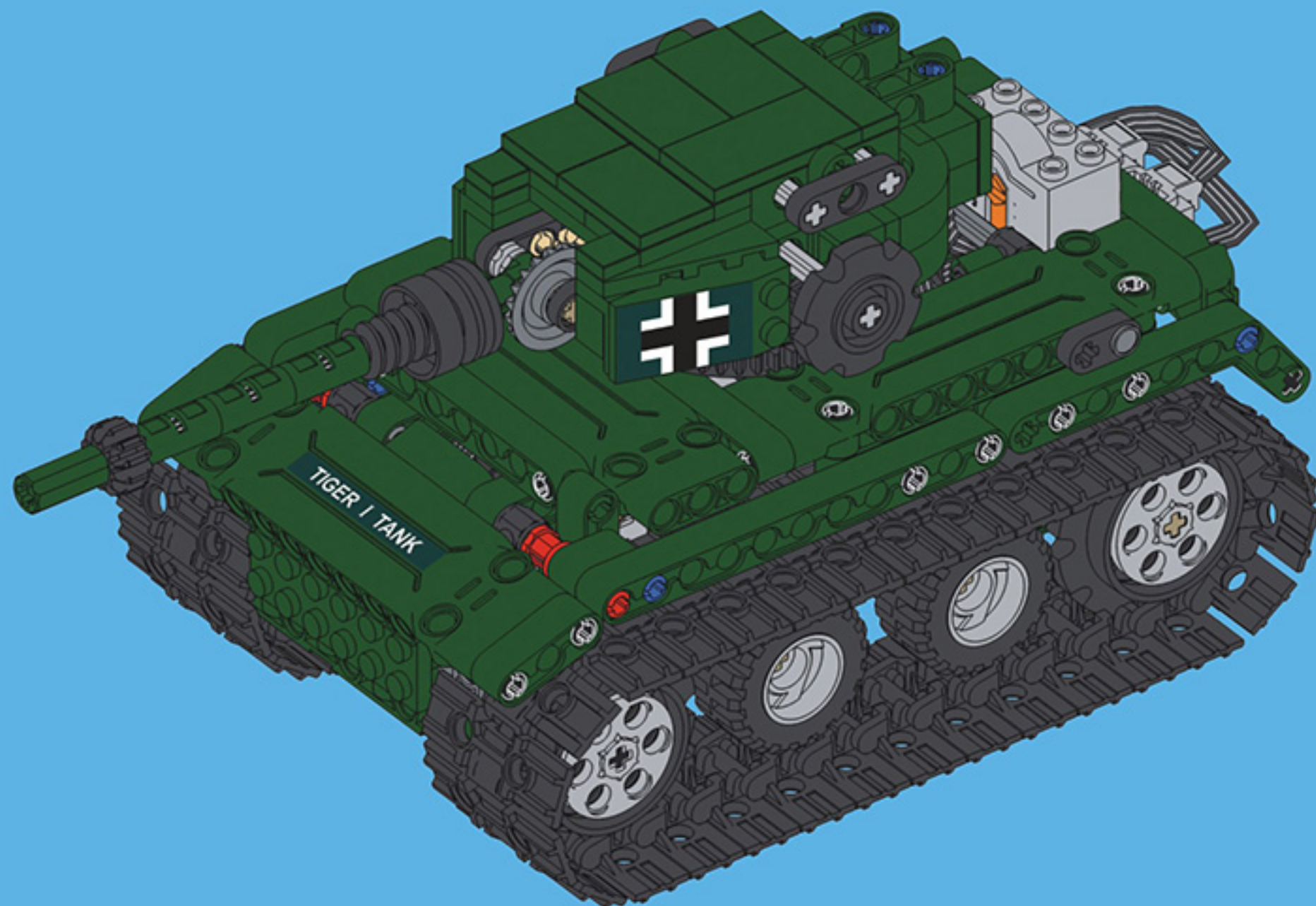
TIGER I

5

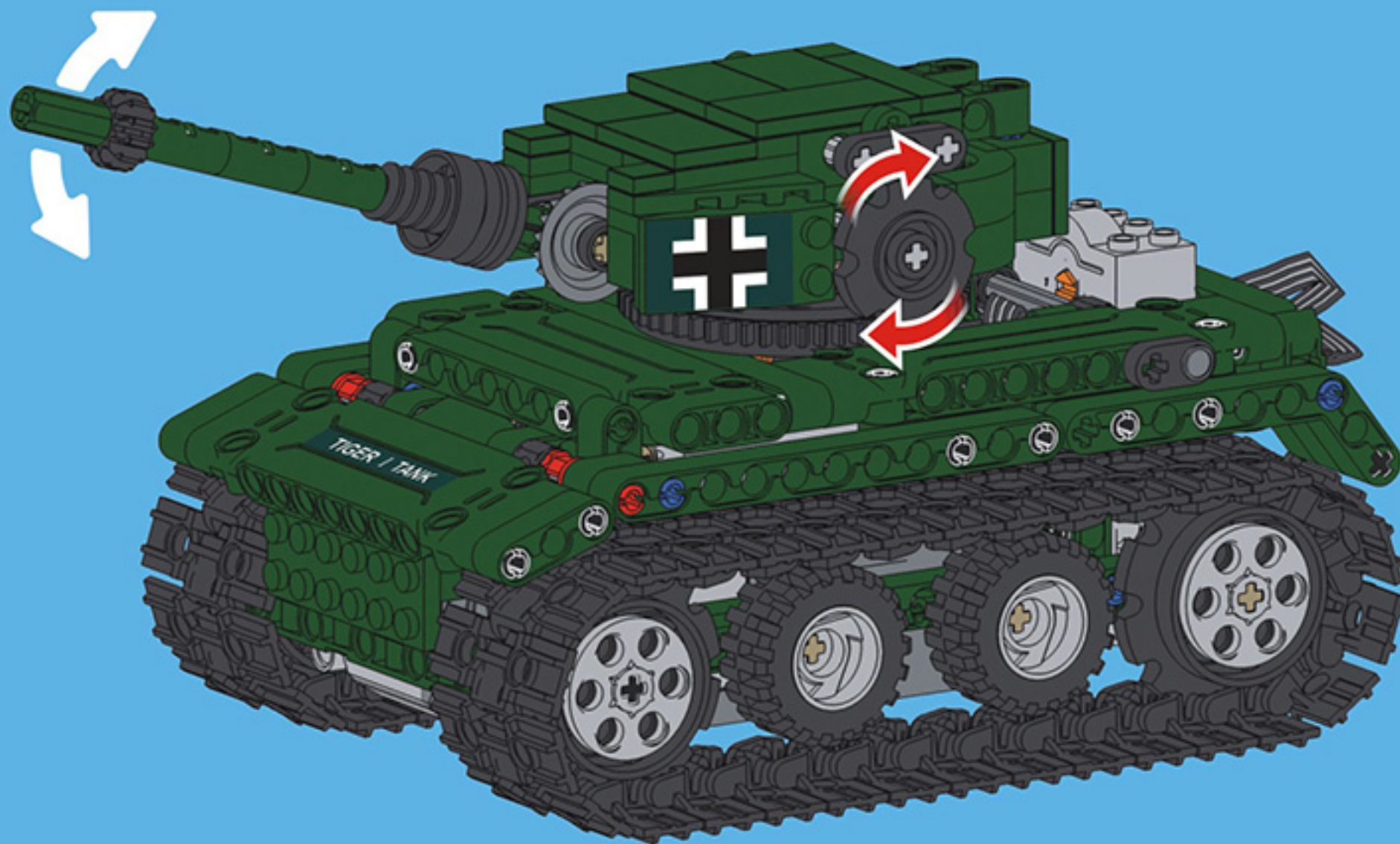
TANK



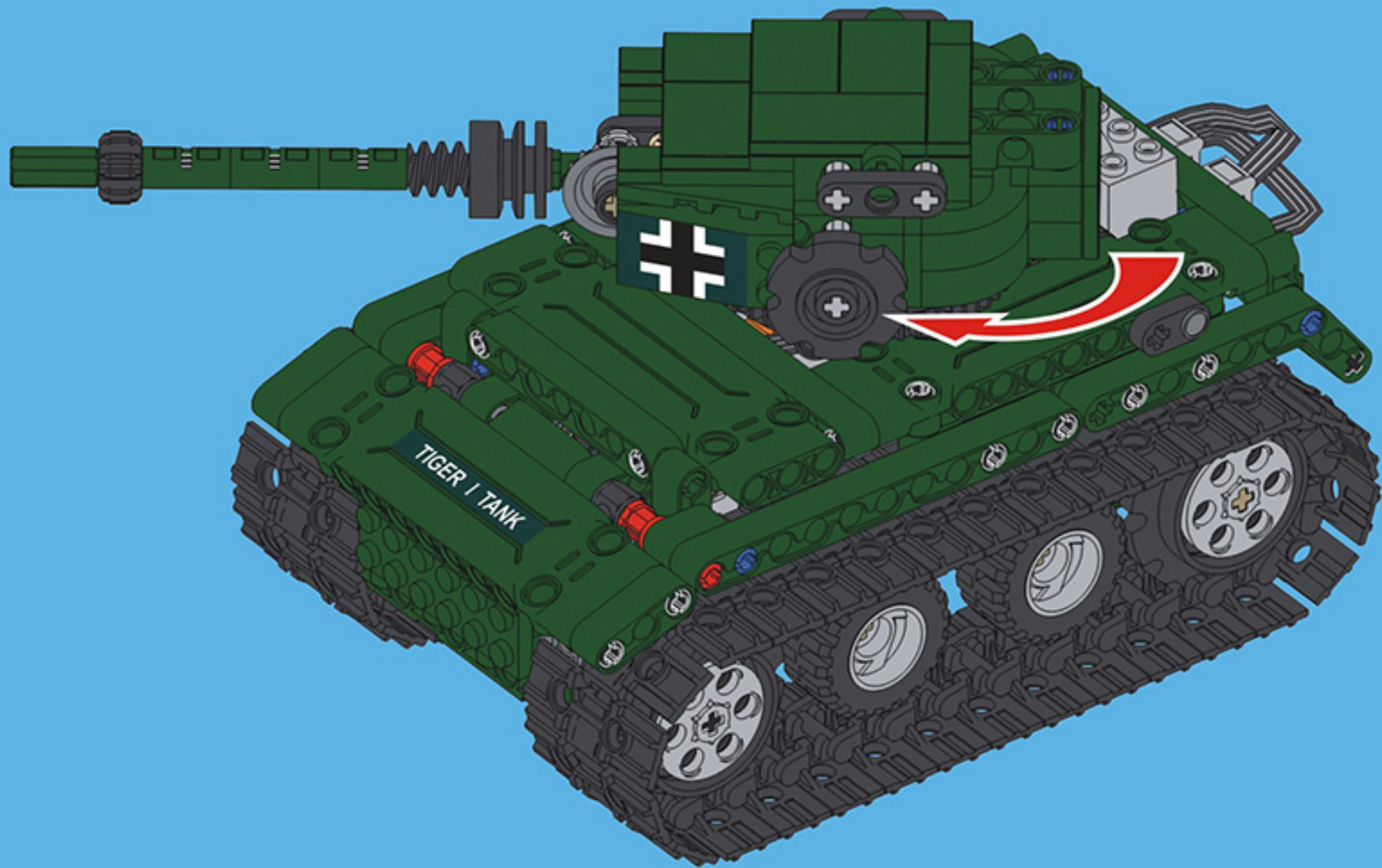




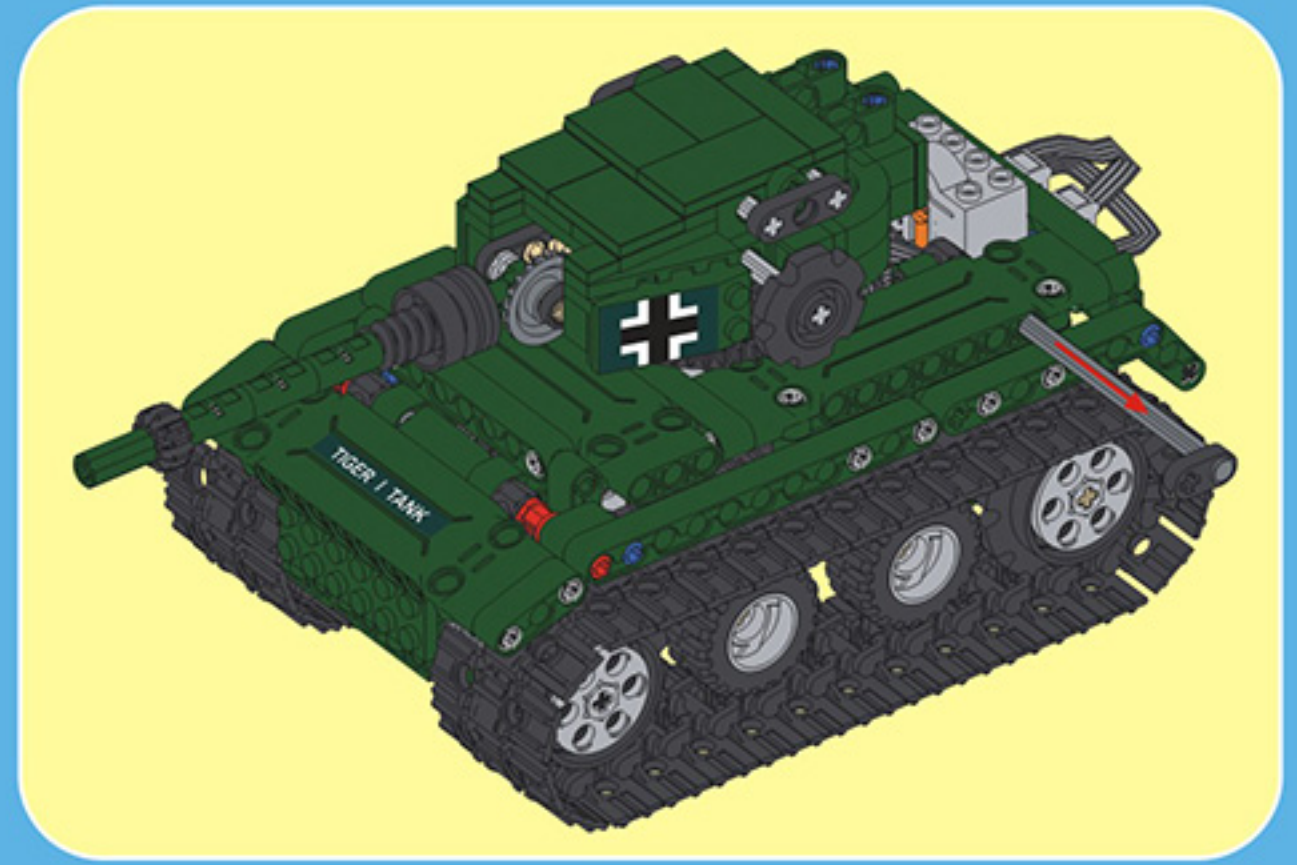
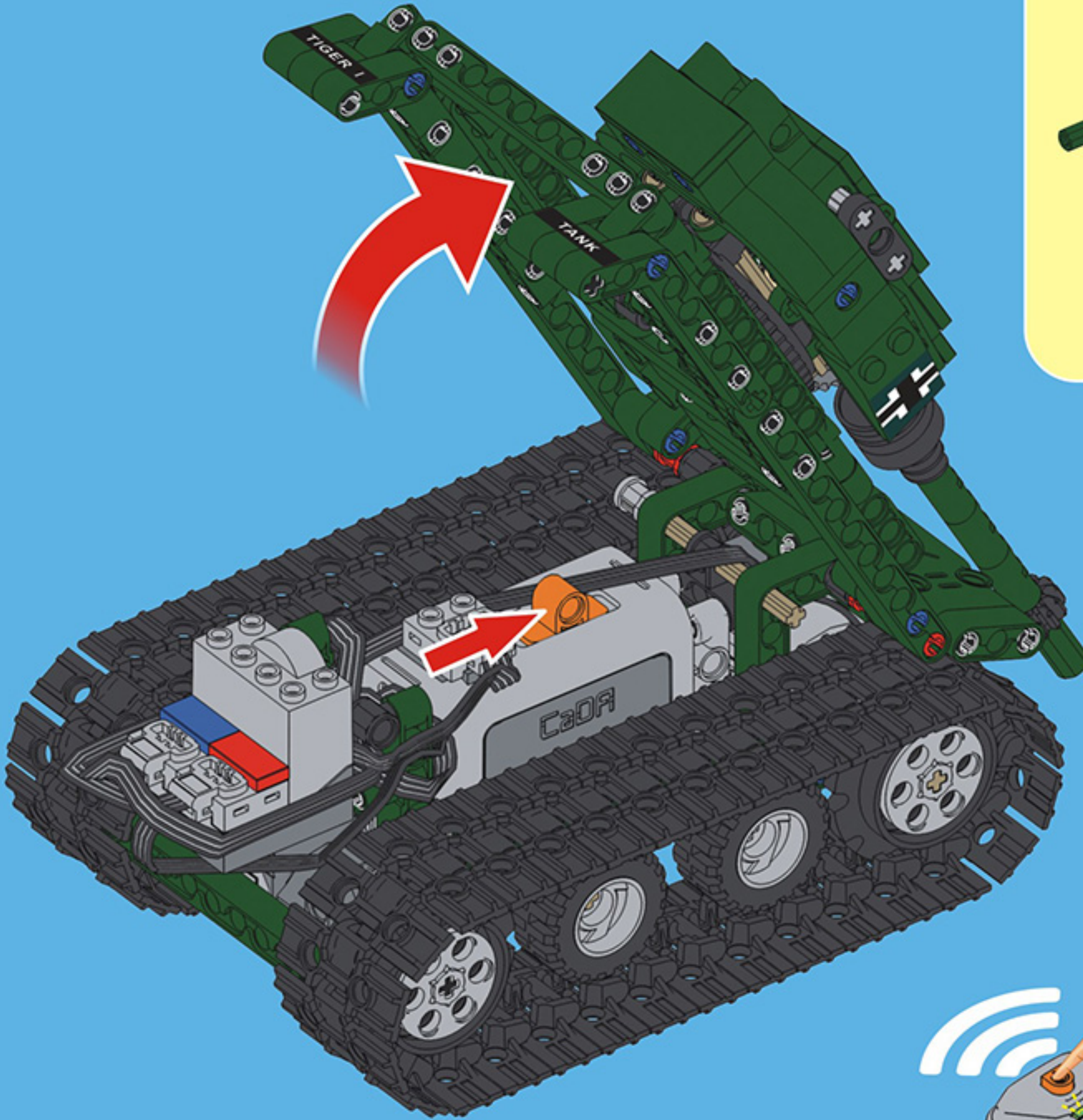




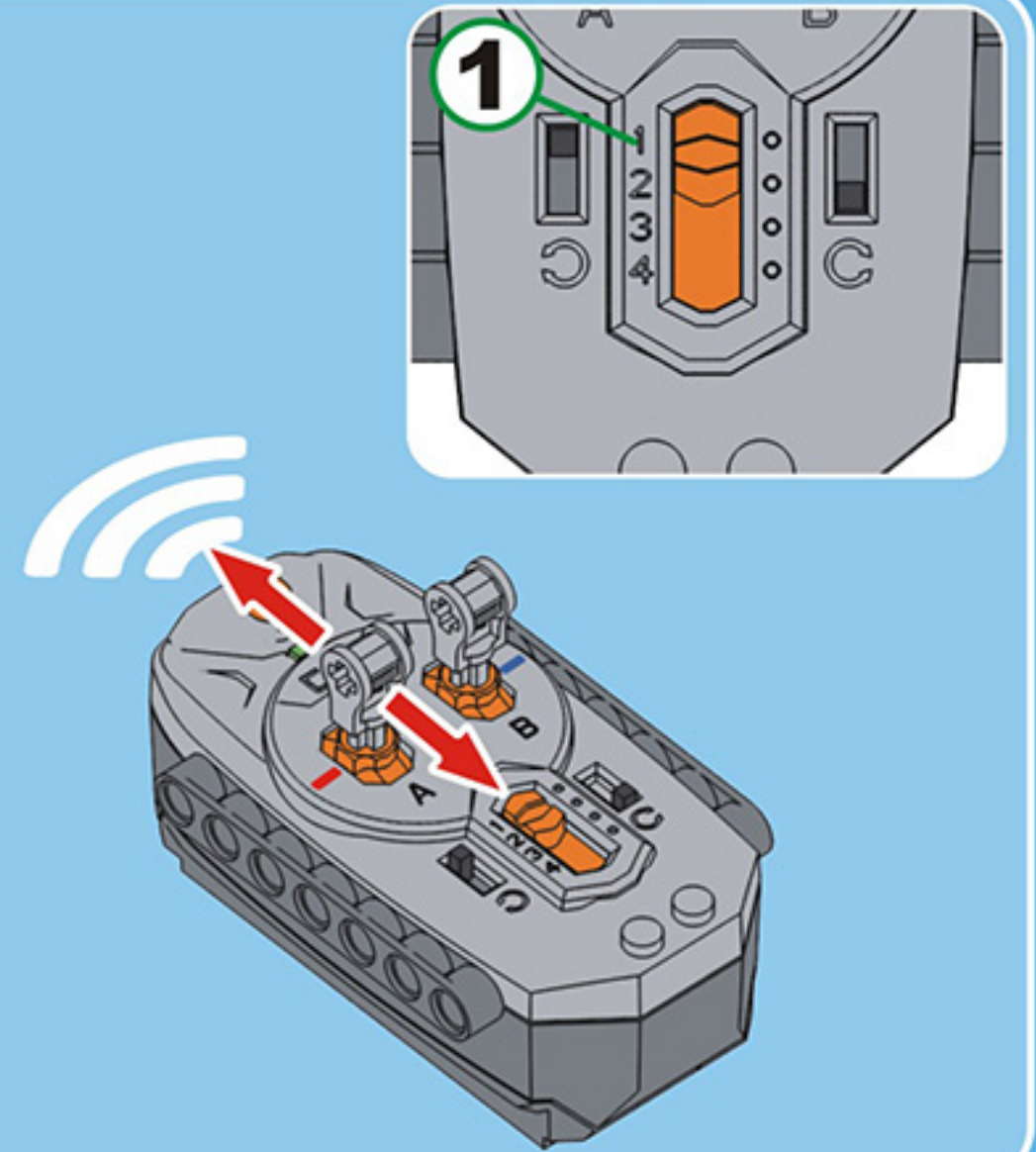
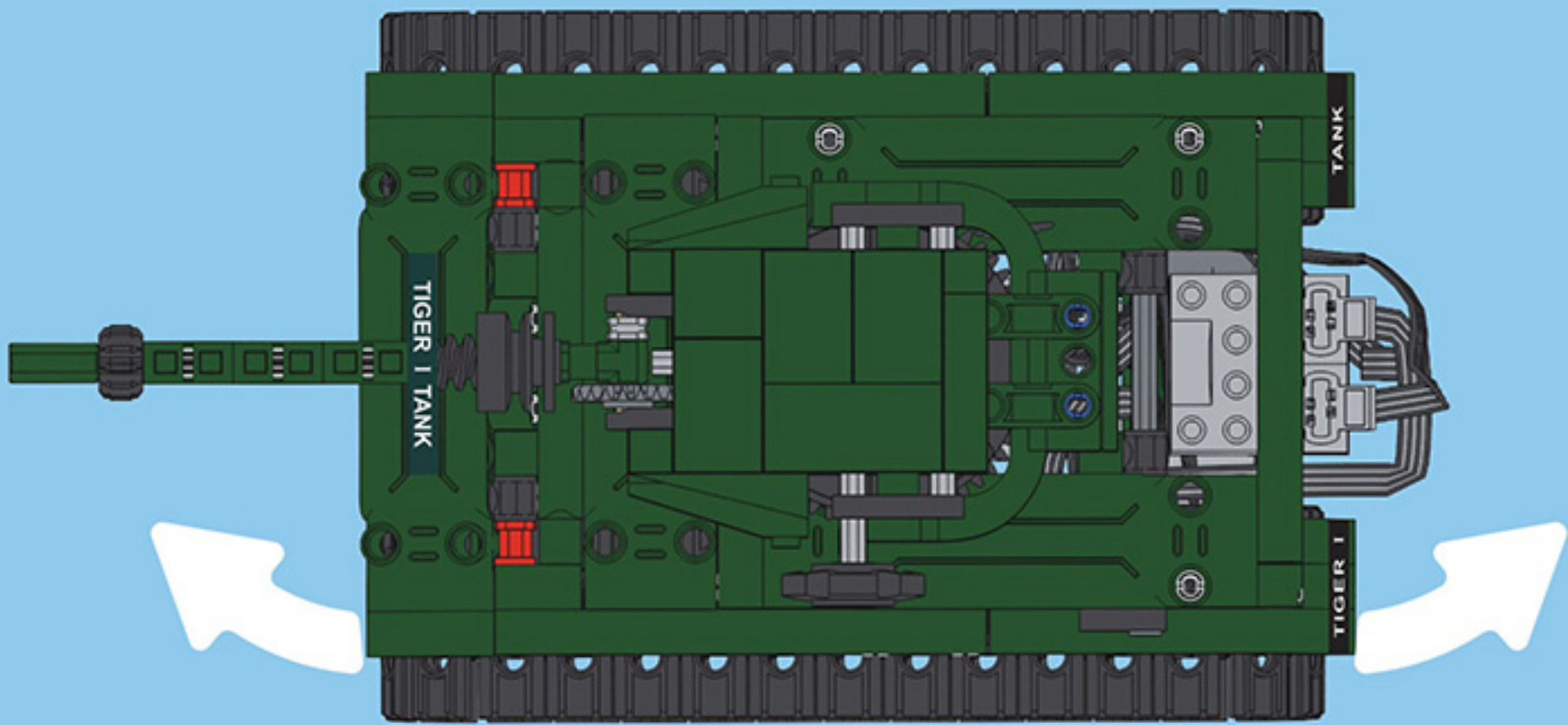
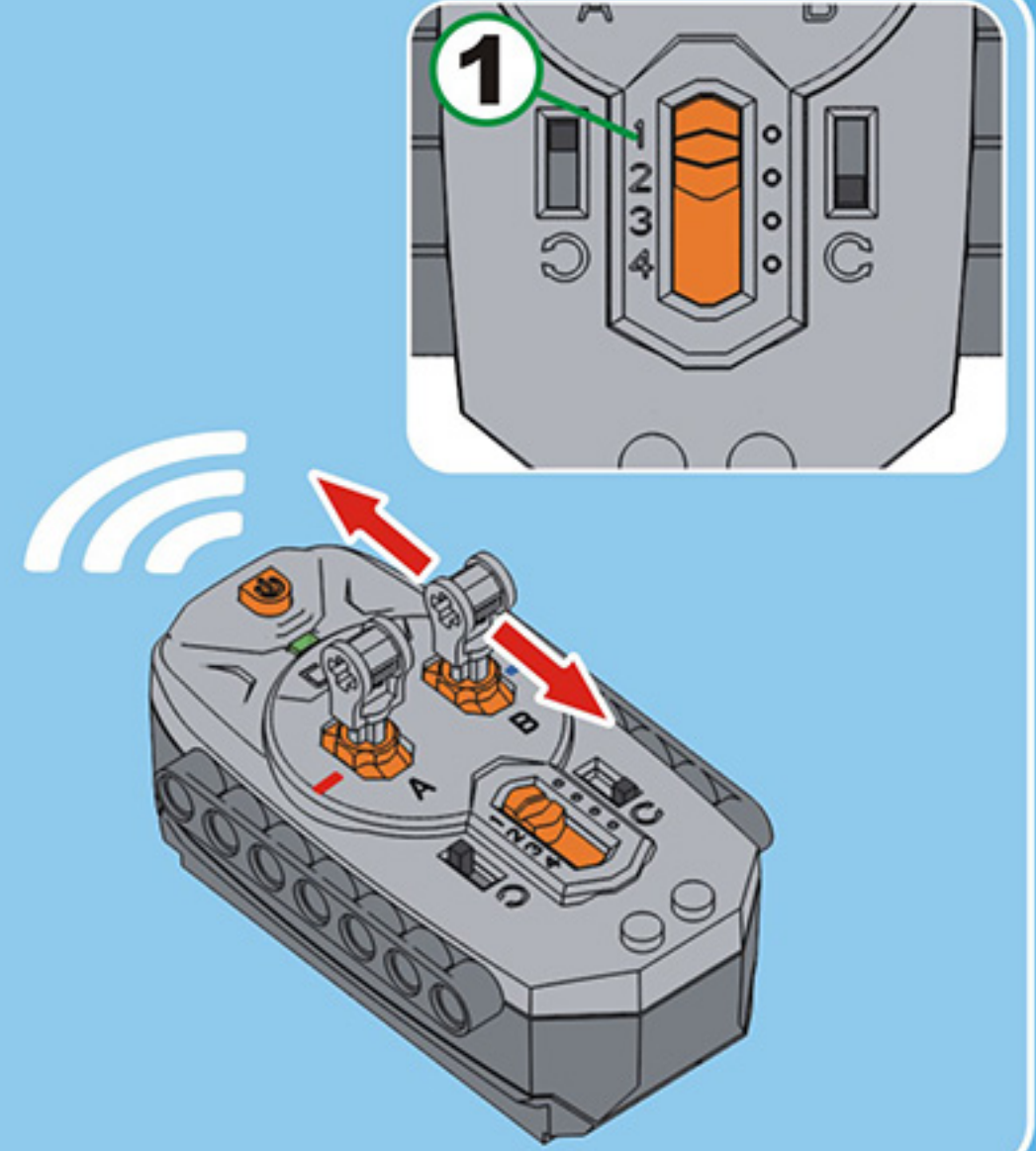
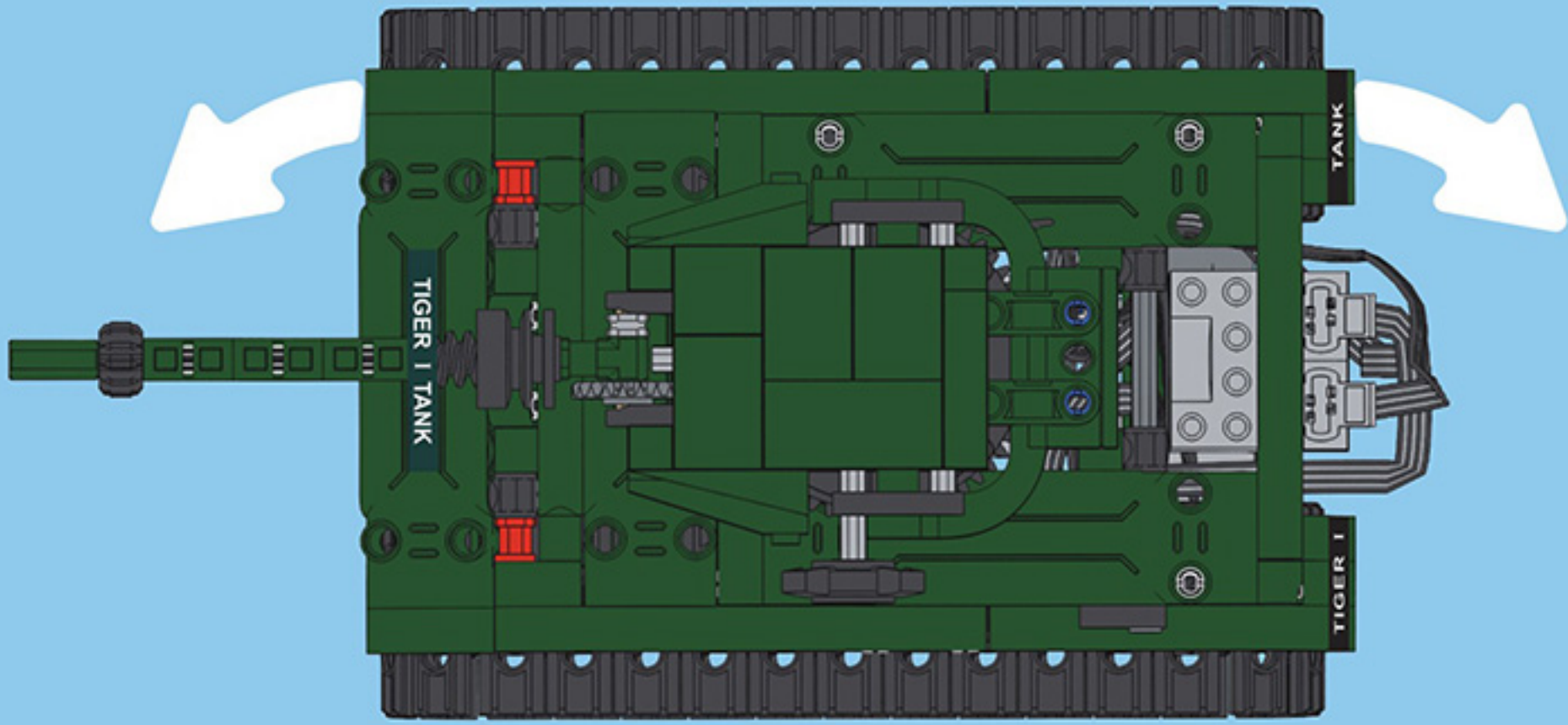




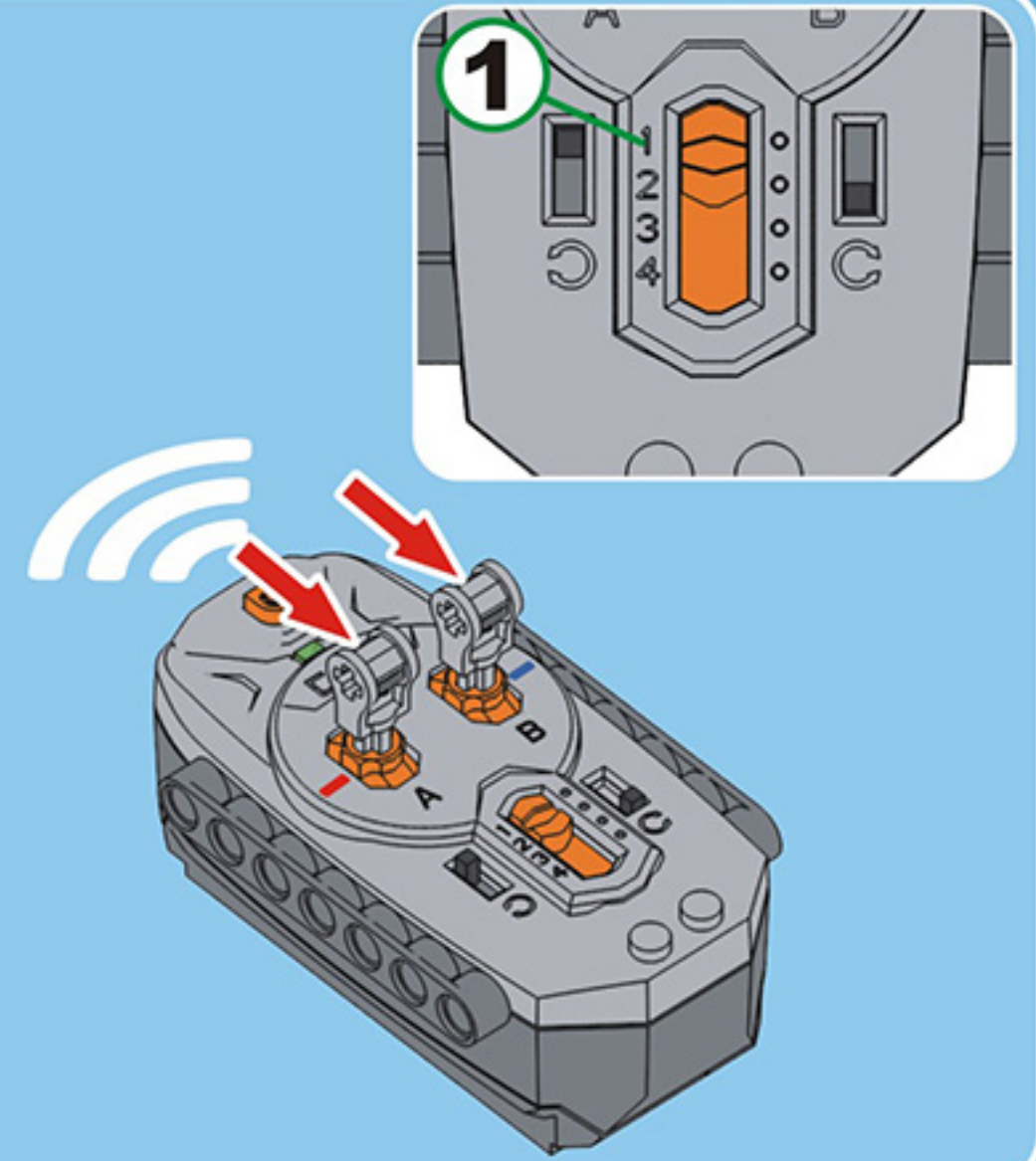
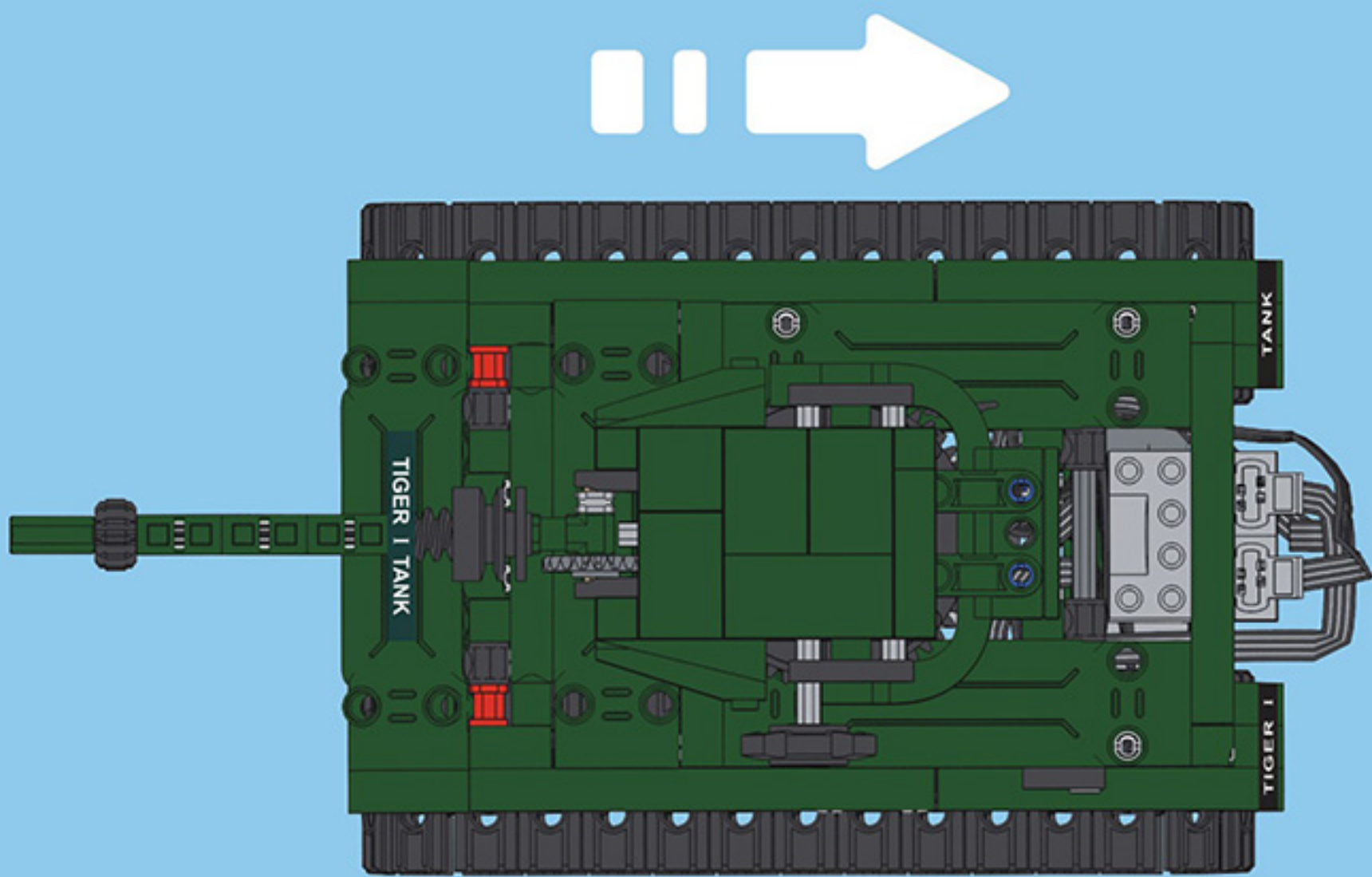
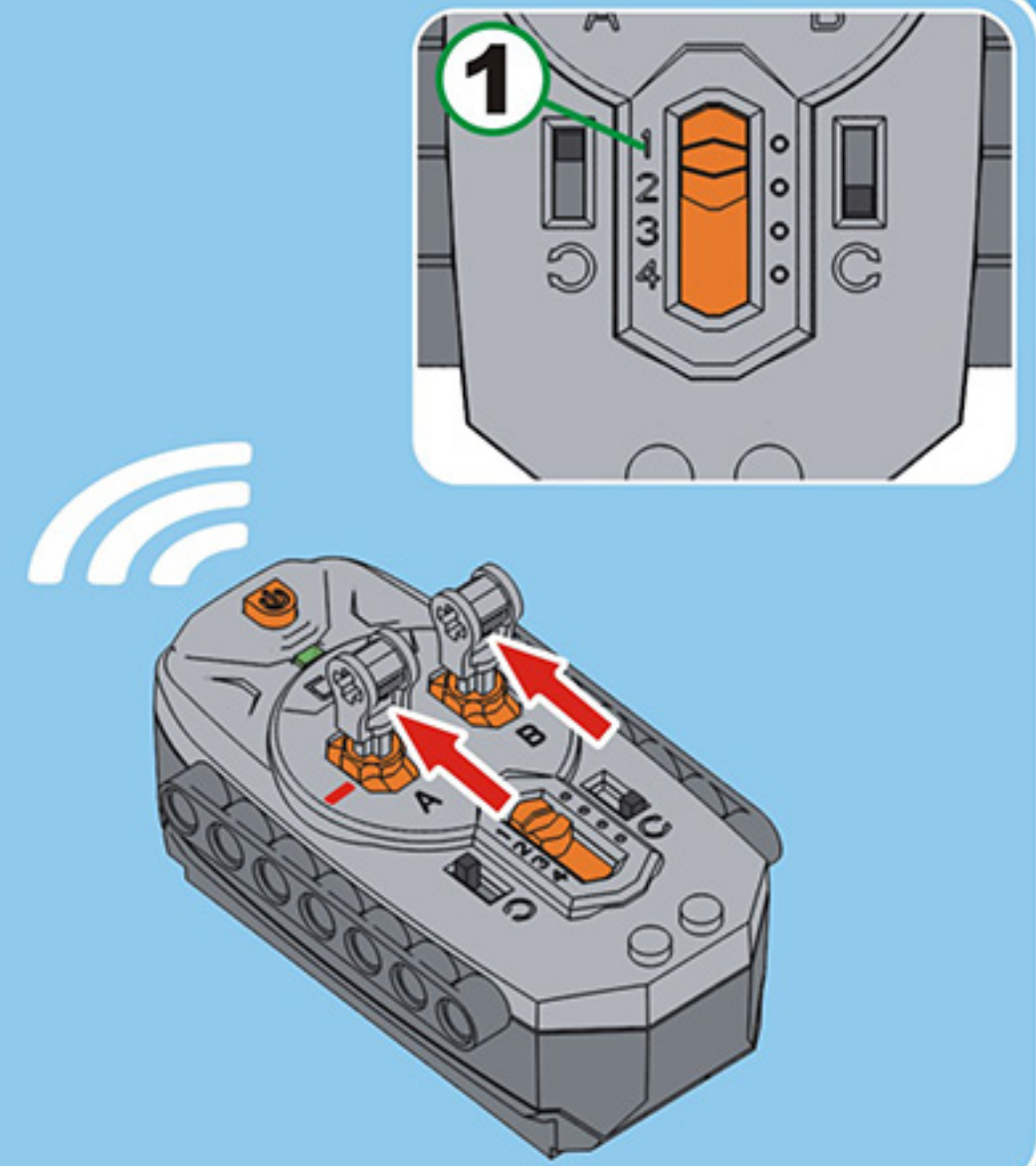
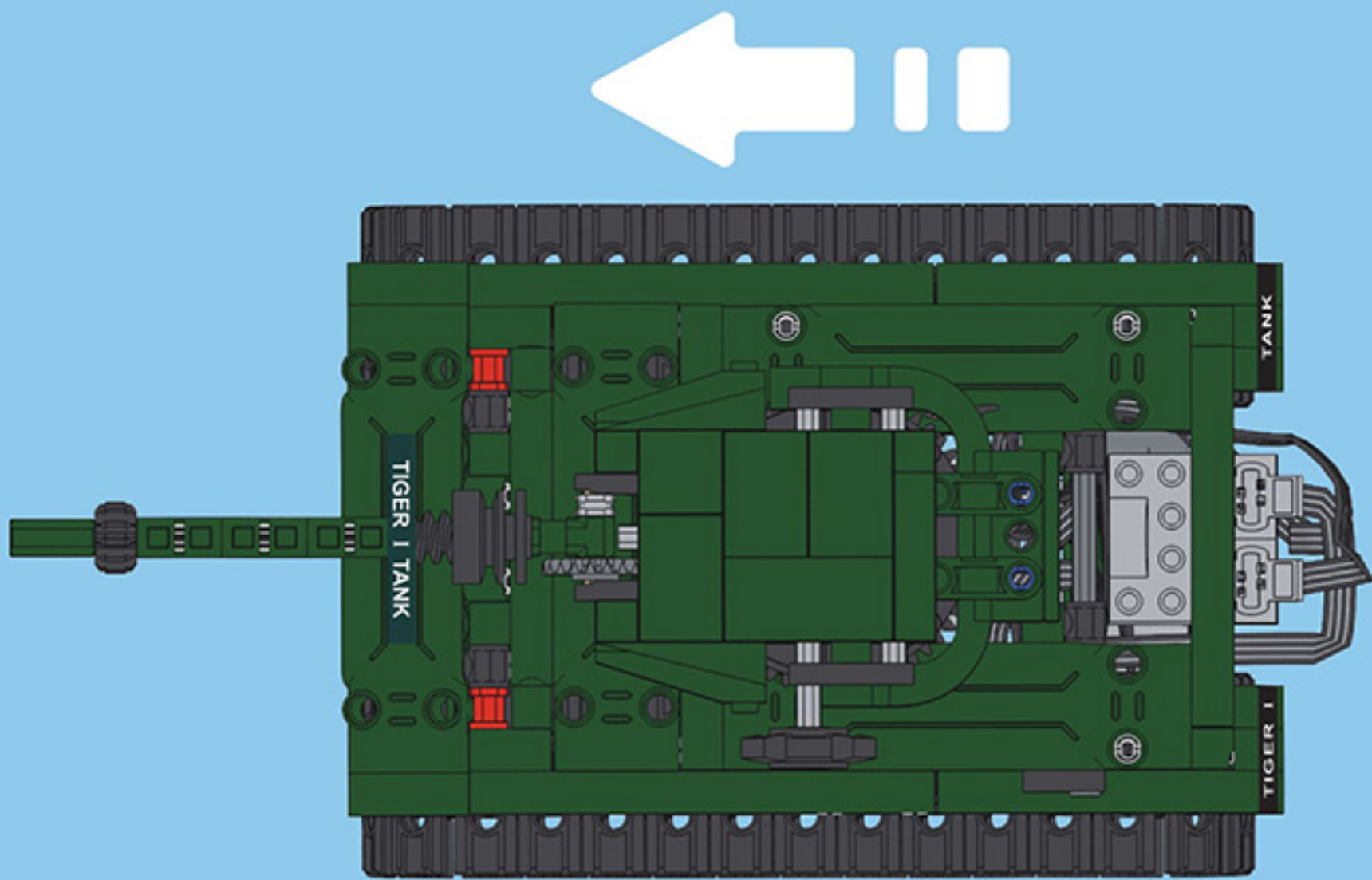






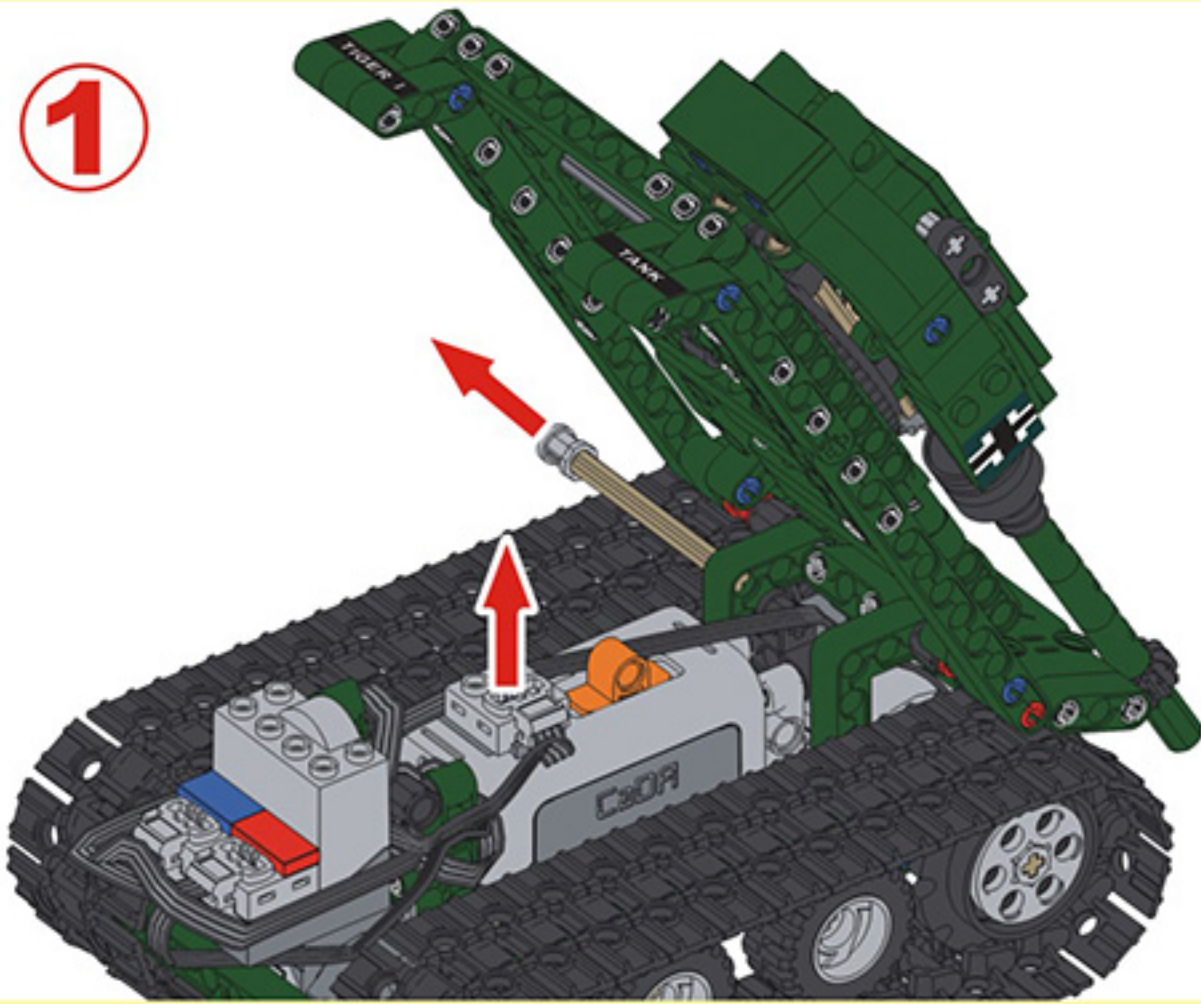




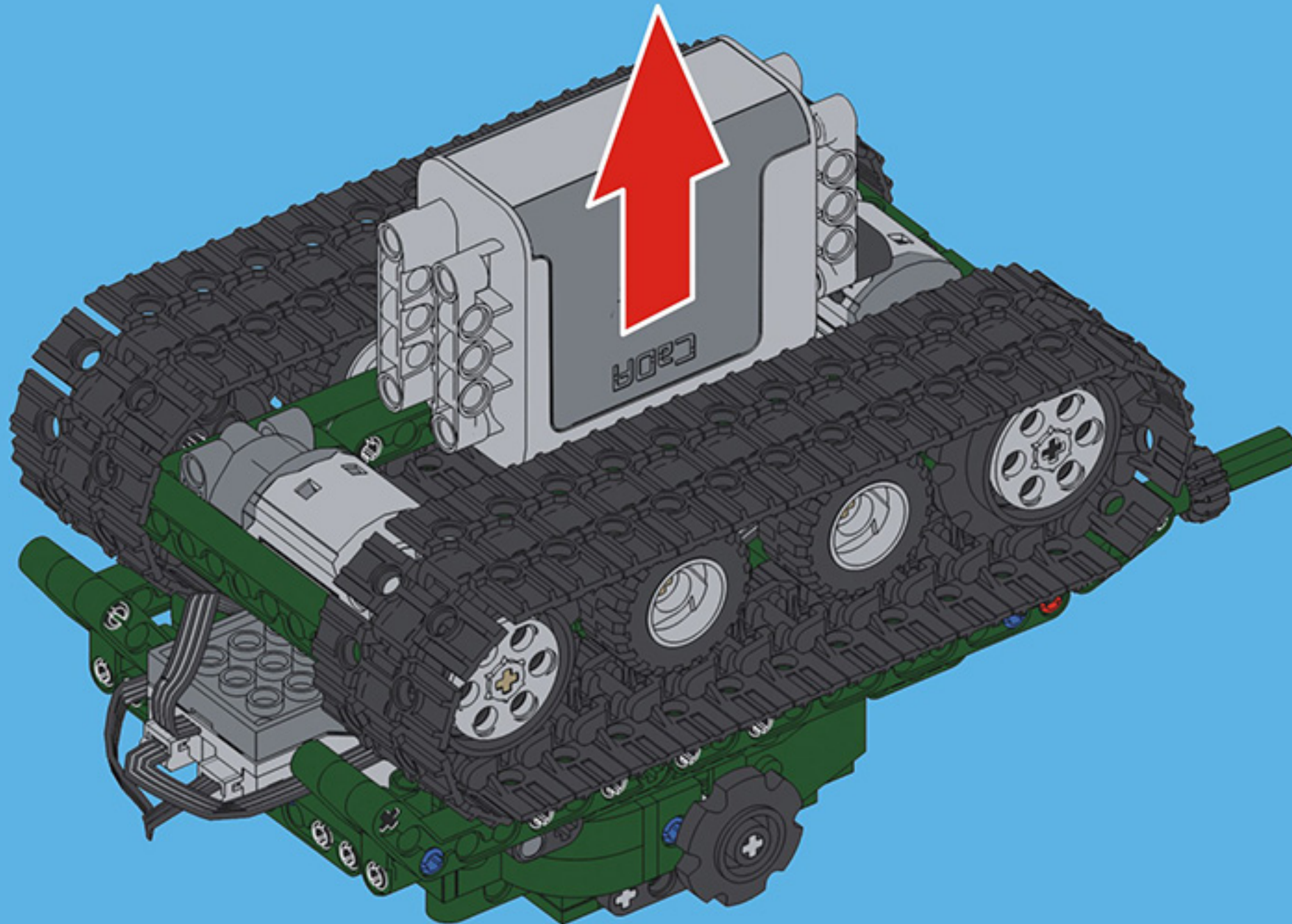
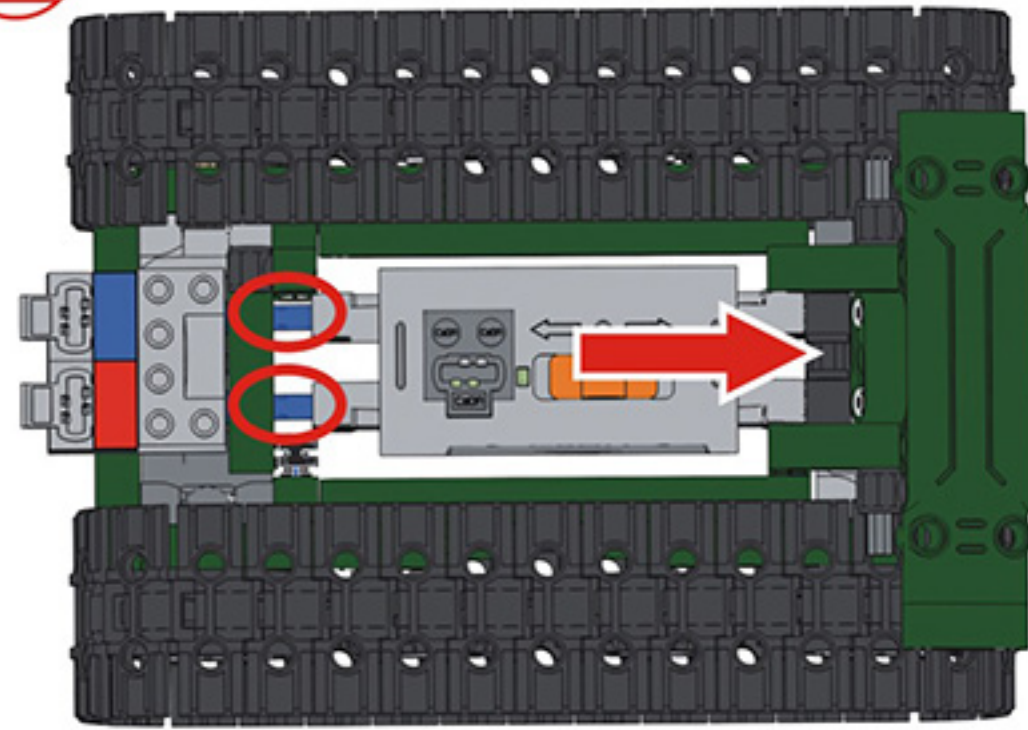




1



2









# CaDA



C51018



C61001



C61002



[www.doubleeagle.cc](http://www.doubleeagle.cc)

